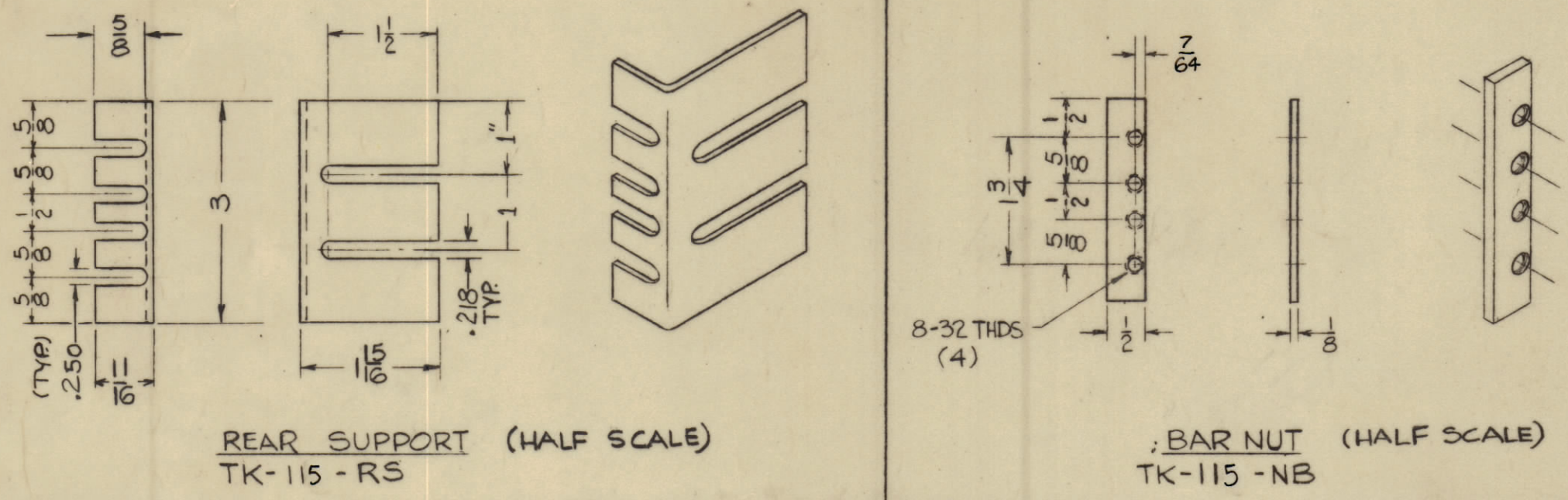


STATIONARY & INTERMEDIATE SECTION - CONSISTS OF: ONE RIGHT SIDE (AS SHOWN) & ONE LEFT SIDE (OPP. HAND)  
NO SCALE

TK-115-XX\"/>

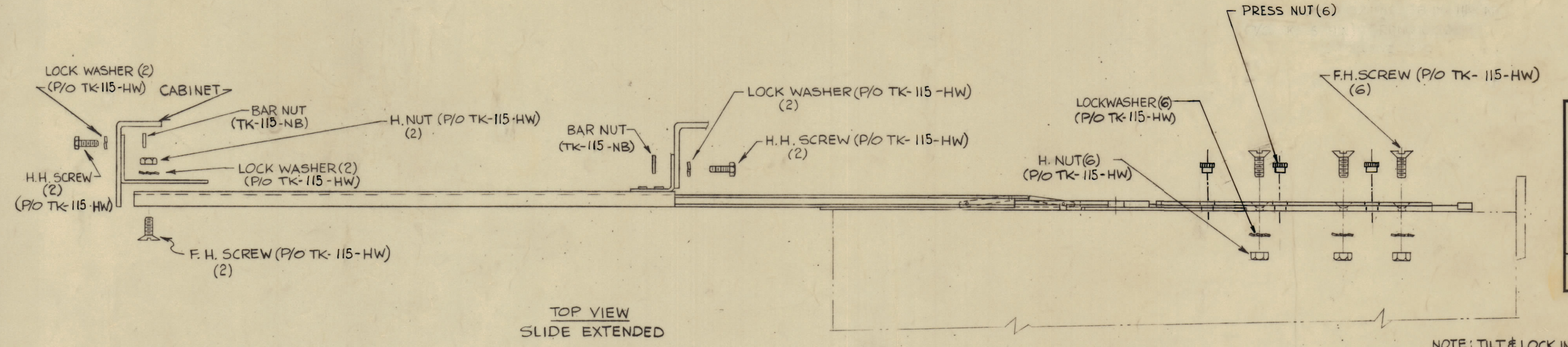


REAR SUPPORT (HALF SCALE) TK-115-RS  
BAR NUT (HALF SCALE) TK-115-NB

<p>HEX. HEAD 8 REQ</p>	<p>82° FLAT HEAD 16 REQ</p>	<p>NUT, HEX. W/10-32 F.H. SCREW 16 REQ</p>	<p>LOCKWASHER EXT. TOOTH W/10-32 F.H. SCREW 16 REQ</p>	<p>LOCKWASHER SPRING TYPE W/8-32 H.H. SCREW 8 REQ</p>
<p>8-32 THDS</p>	<p>10-32 THDS</p>			

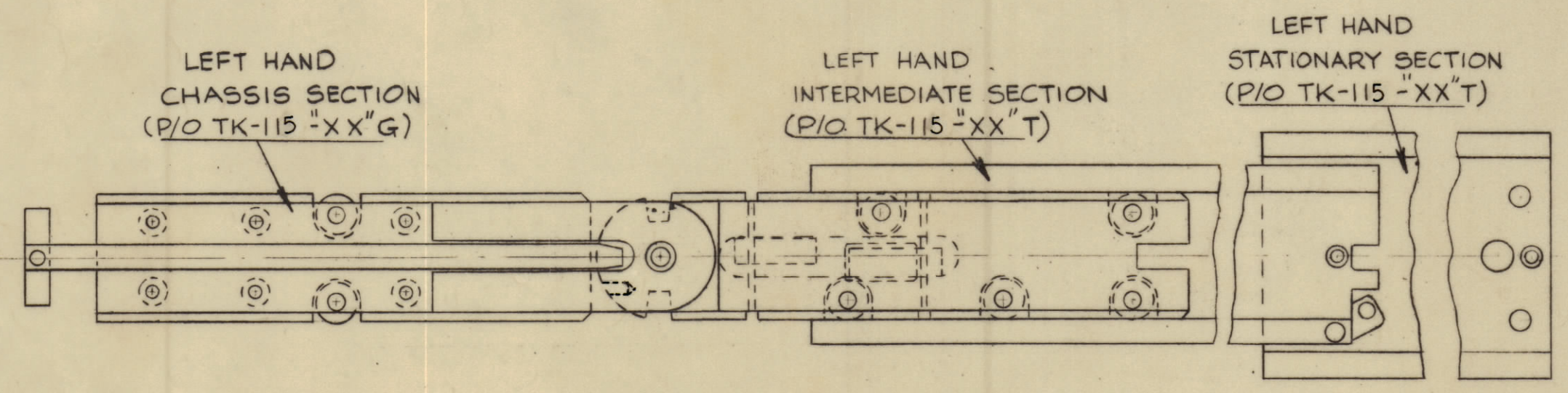
HARDWARE TK-115-HW

NOTE: HARDWARE TO BE FURNISHED BY MANUFACTURER

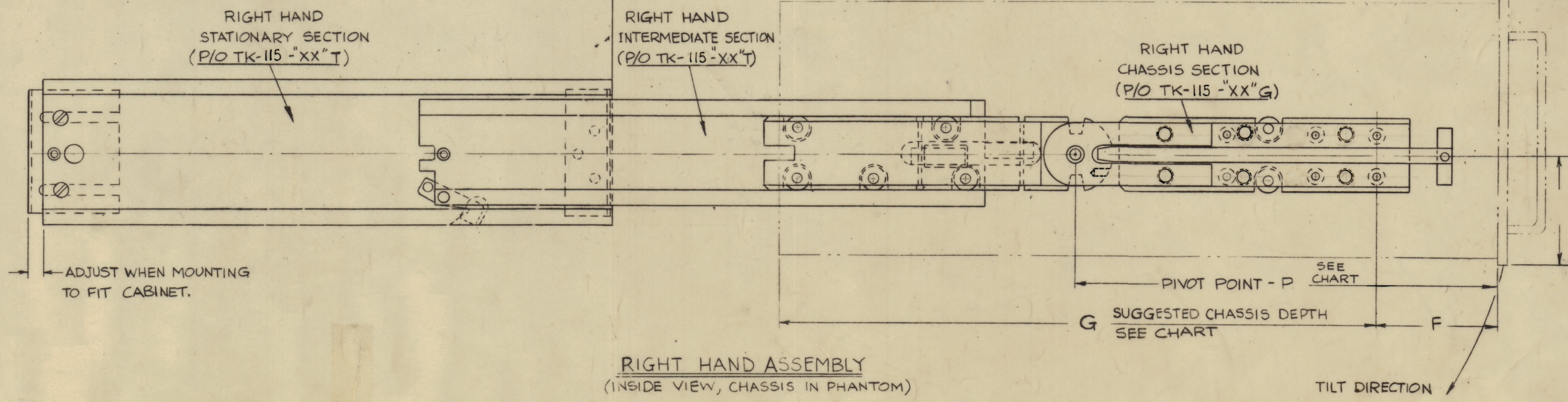


TOP VIEW  
SLIDE EXTENDED

NOTE: TILT & LOCK IN 3 POSITIONS 90° UP, 90° DOWN AND HORIZONTAL  
TILT DIRECTION



LEFT HAND ASSEMBLY



RIGHT HAND ASSEMBLY  
(INSIDE VIEW, CHASSIS IN PHANTOM)

\* MODIFIED AS PER TMC

SYM	ZONE	DESCRIPTION	DATE	CH. NO.	DRAFTS	CHECKER	ENG. APP.	TMC PURCH PART NO.	MFG. NO.	DIMENSIONS, INCHES								STATIONARY & INTER. SECTION ONE SET		CHASSIS SECTION ONE SET		REAR SUPPORT TWO		BAR NUT FOUR		HARDWARE ONE SET				
										A	B	C	D	E	F	G	P	TK-115-18 T	TK-115-18 G	TK-115-RS	TK-115-NB	TK-115-HW	TK-115-22 T	TK-115-22 G	TK-115-RS	TK-115-NB	TK-115-HW			
C	-	TK-115-22 ADD. TO TMC PART NO. CHART.	2-25-65	13593	AF																									
B	-	ON CHASSIS SECT: DETAIL 'A' & PARTIAL TOP VIEW ADD.	1-21-65	13319	AF																									
A	-	TK-115-XX-G SOUTH CO. WAS \"ROSAN\" RPN01032 SM\" TK-115-XX-T, TK-115-NB, PICT. DIM. CHANGED	5-18-64	11789	JOB			TK-115-18	25848 *	18	18	6 1/2	9 1/2	23	2	16	8 1/2	TK-115-18 T	TK-115-18 G	TK-115-RS	TK-115-NB	TK-115-HW	TK-115-22 T	TK-115-22 G	TK-115-RS	TK-115-NB	TK-115-HW			

REF. TRACK & SLIDE ASSY - PART # 25848 MODIFIED PER TMC GRANT PULLEY & HARDWARE CORP.

REQ. PER UNIT	MODEL	SECTION	ASSY. NO.	DATE	FINISH & SPEC. NO.	ELEC. DES. APP.	MECH. DES. APP.	SHEET	OF
1 SET	HFS-1								
1 SET	HFR-1			6-29-62					
PURCH. NOTE (FOR TMC USE)					THE TECHNICAL MATERIEL CORP. MAMARONECK, NEW YORK				
USE TMC PURCH. PART NO. TK-115 \"XX\" FOR PURCHASING SLIDE. THIS NO WILL INCLUDE ALL ITEMS AS PER CHART					TRACK & SLIDE SET, 3 1/2 WIDE				
ALUMINUM					TILT TYPE				
7075-T6					SRG				
CLEAR ANODIZE					TAX TK-115				