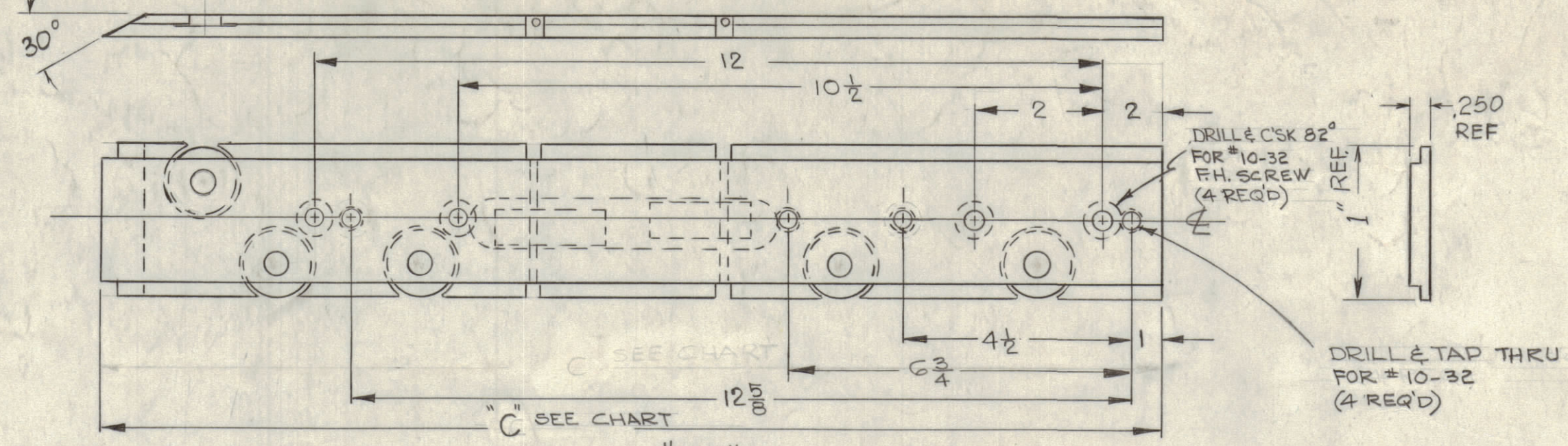


STATIONARY

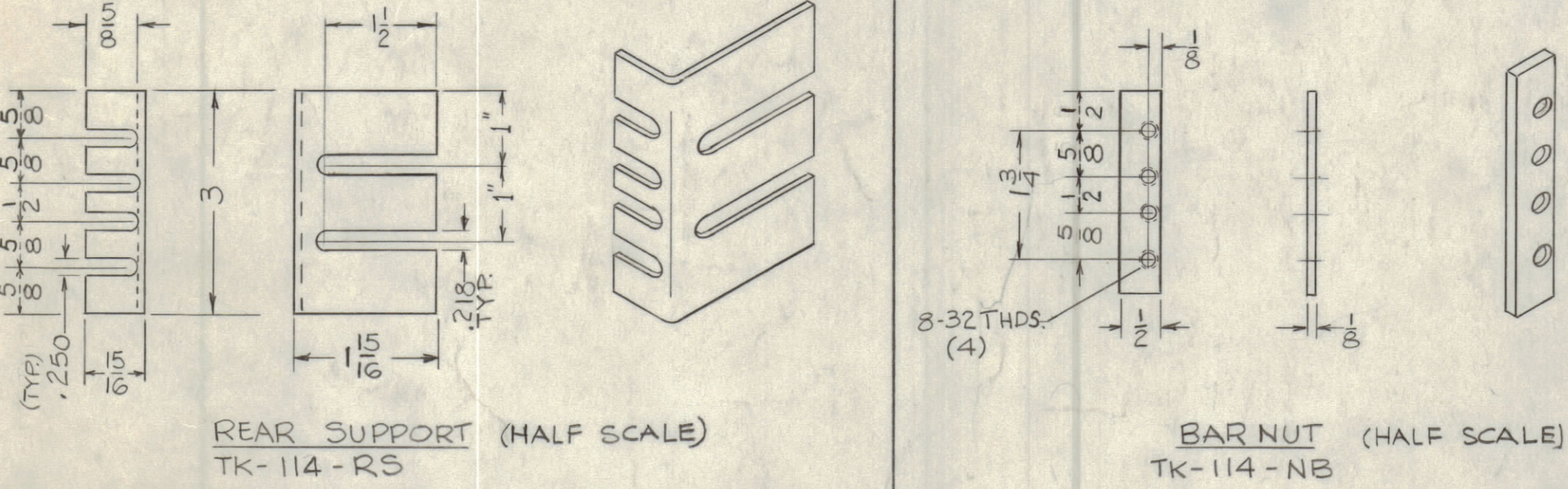
INTERMEDIATE SECTION
NO SCALE

TK-114-XX T
CONSISTS OF: ONE RIGHT SIDE (AS SHOWN) & ONE LEFT SIDE (OPP HAND)



CHASSIS SECTION
NO SCALE

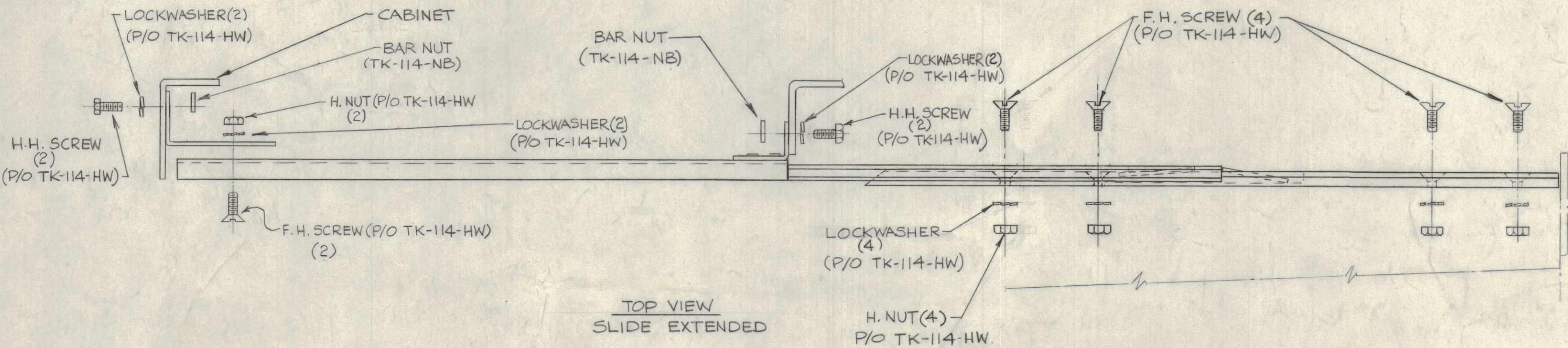
TK-114-XX G
CONSISTS OF: ONE RIGHT SIDE (AS SHOWN) & ONE LEFT SIDE (OPP. HAND)



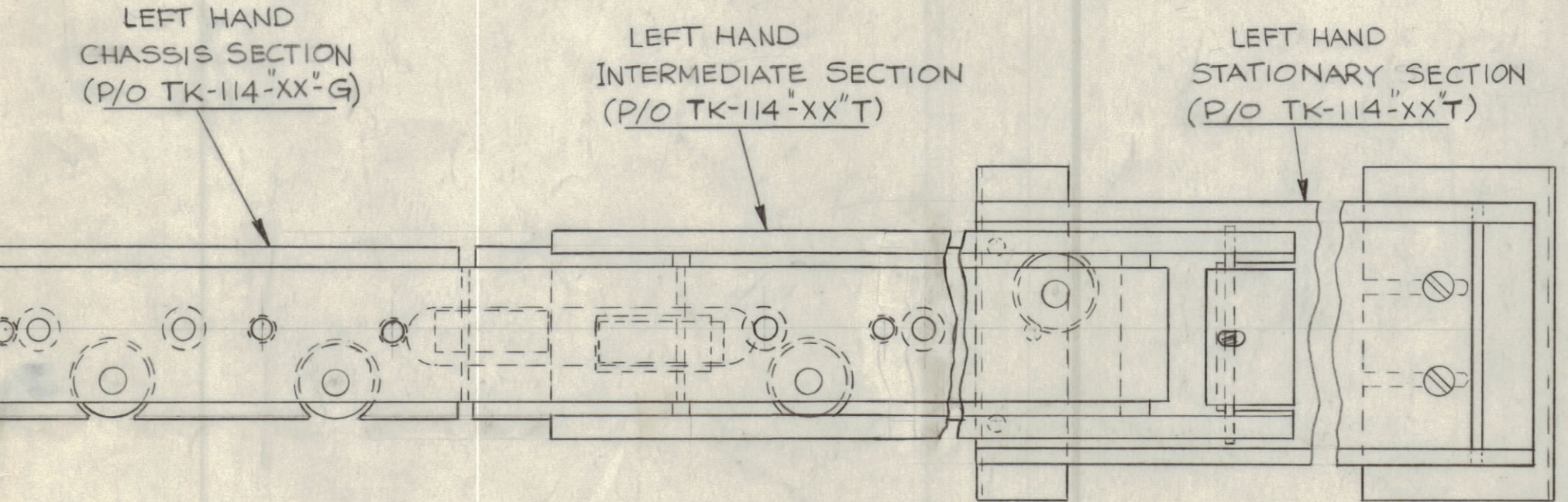
REAR SUPPORT (HALF SCALE)
TK-114-RS

BAR NUT (HALF SCALE)
TK-114-NB

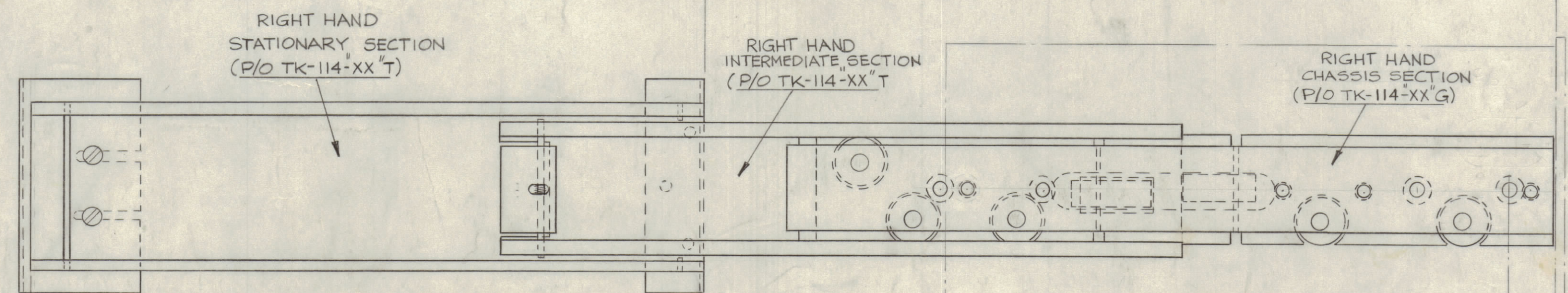
NOTE: HARDWARE TO BE FURNISHED BY MANUFACTURER



TOP VIEW
SLIDE EXTENDED



LEFT HAND ASSEMBLY



RIGHT HAND ASSEMBLY
(INSIDE VIEW, CHASSIS IN PHANTOM)

REF. TRACK & SLIDE ASSY. - PART # 25867 - GRANT PULLEY & HARDWARE CORP.

SYMBOL	ZONE	DESCRIPTION	DATE	CH. NO.	DRAFTS	CHECKER	ENG. APP.	TMC PURCH. PART NO.	MFG NO.	DIMENSIONS							STATIONARY & INTER. SECT. ONE SET	CHASSIS SECTION ONE SET	REAR SUPPORT TWO	BAR NUT FOUR	HARDWARE ONE SET	PURCH NOTE (FOR TMC USE) USE TMC PURCH. PART NO. TK-114-XX" FOR PURCHASING SLIDE. THIS NO. WILL INCLUDE ALL ITEMS AS PER CHART	REQ. ITEM	PART NO.	DESCRIPTION	SYMBOL				
										A	B	C	D	E	F															
A4	44	ON USED ON CHART. REF. WAS HPR-1, TTR-10 ADDED 5-18-62 DIMS ADDED ON TK-114-XXG, HPR WAS TK-114-HW	6-7-63	9162				TK-114-18	25867	18	17 3/4	17 1/4	16	20	2	TK-114-18 T	TK-114-18 G	TK-114-RS	TK-114-NB	TK-114-HW	1 SET	TTR-10			6-7-63	7075-T6	VRR	TFH	TK-114	A
1 SET	HPP -1				5-18-62																	1 SET	HPP -1			5-18-62	CLEAR ANODIZE	TK-114	A	