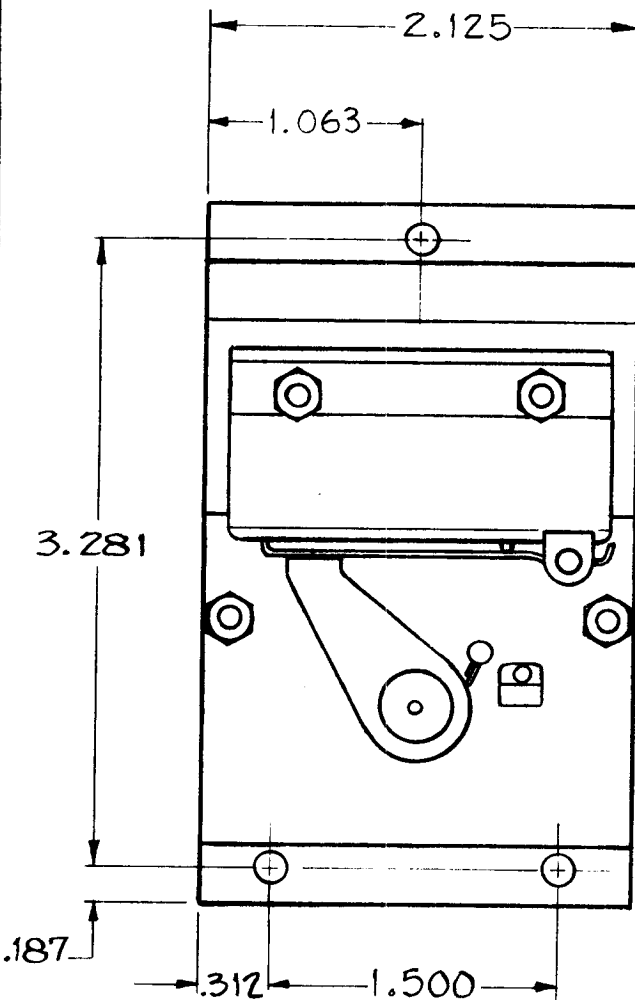


REPEAT ACCURACY: Within 3/4 of 1% of total range

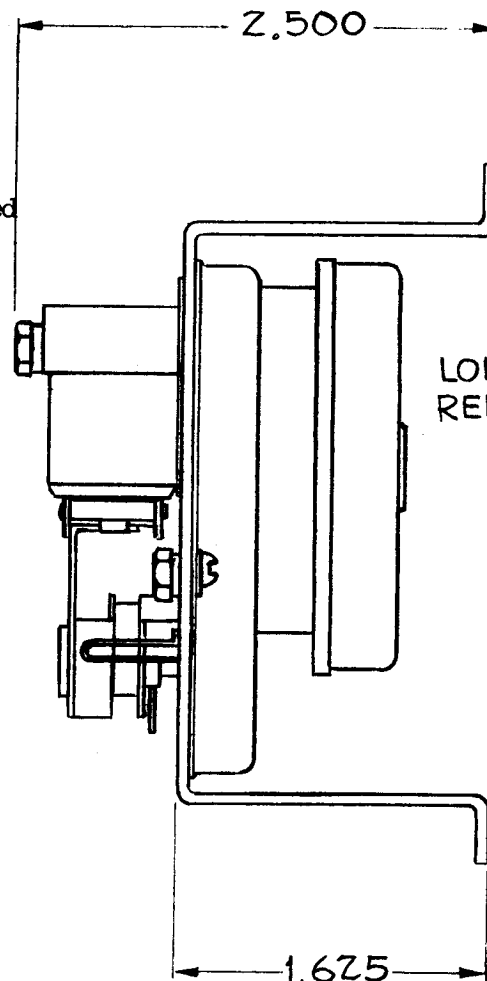
REQ. PER. UNIT	USED ON			TI-100	C
	MODEL	ASS'Y. NO.	DATE		
1	GPT-10K	AX-109	4-20-59		



MOTOR VOLTAGES: 220 VAC, 60 cycle

POWER INPUT: 4 Volt amperes at rated voltage.

SWITCHES: Totally enclosed Quick-make, Quick break type with non-inductive rating of 5A at 250 V.



TI-100 NO LONGER AVAILABLE REPLACED BY A5783

TMC PT. NO.	TIME RANGE (SEC)	MIN SETTING (SEC)
TI-100	20	1
TI-100-2	80	4

NOTE - ALL DIMENSIONS FOR REFERENCE ONLY

ISSUE	ITEM	CHANGED FROM	DATE	CH. NO.	DRAFTS	CHECKER	ENG. APP.	REQ. ITEM	PART NO.	DESCRIPTION	SYMBOL		
C		TI-100 NO LONGER AVAILABLE - REPL. A5783	8-28-80	21829	dw	<i>[Signature]</i>				THE TECHNICAL MATERIEL CORP. MAMARONECK, NEW YORK TIMER.	C		
B		NOTE TI-100... ADD	5-30-74	21160	<i>[Signature]</i>	<i>[Signature]</i>							
A	1	ADDED CHART	6-9-66	16363	<i>[Signature]</i>	<i>[Signature]</i>							
TOLERANCES			SCALE: S 401-46 (330)							J.C. BIELE	<i>[Signature]</i>	<i>[Signature]</i>	
DEC. DIM. ± FRAC. DIM. ± ANGULAR DIM. ±			MAXIMUM ALLOWABLE TOLERANCES HAVE BEEN DETERMINED AND ANY DEVIATIONS WILL BE CAUSE FOR REJECTION. REMOVE ALL BURRS AND SHARP EDGES					TYPE & TEMPER HEATTREAT. SPEC.		DRAWN	CHECKED	FINAL APPROVAL	
								FINISH & SPEC. NO.		ELEC. DES. APP	MECH. DES. APP	TI-100	C