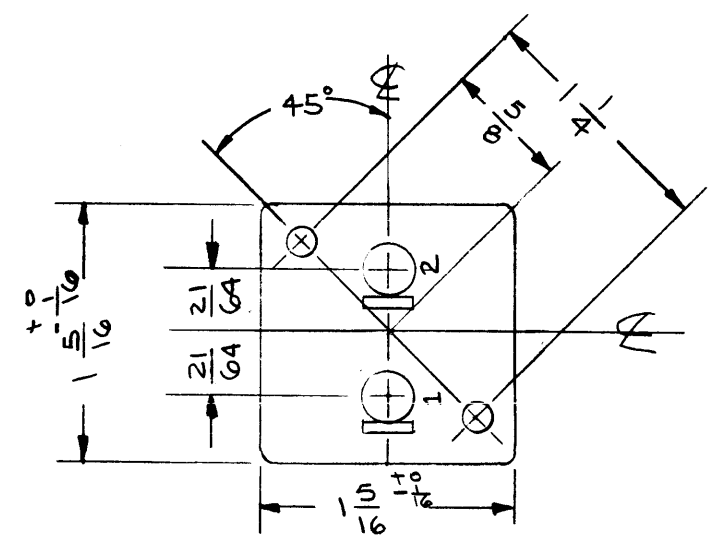
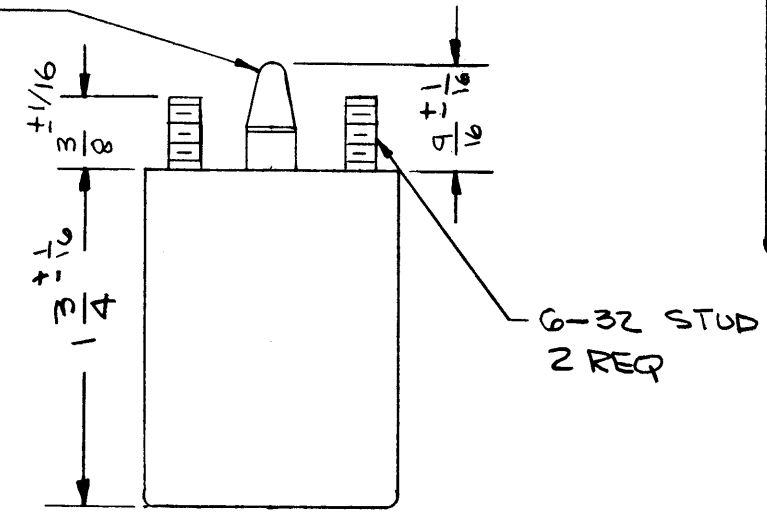


TF 5028

REVISIONS						
SYM	DESCRIPTION	DATE	E.M.N. NO.	DRAFT	CHKD	APPD
Ø	ORIGINAL RELEASE FOR PRODUCTION	10/27/65	Ø	H.V.		



1/4 DIA. TERMINALS



THE TECHNICAL MATERIEL CORPORATION
 MAMARONECK, NEW YORK
TF5028

5HY
25MA DC

INDUCTANCE: 5 HY @ 25MA DC
 DC RESISTANCE: 375 OHMS
 WORKING VOLTAGE:
 TEST VOLTAGE:
 CASE MATERIAL: Steel, Hermitically scaled.
 FINISH: TMC Gray, S115 (Except Stud end)
 TERMINAL TYPE: Ceramic, solder lug

STAMPING
 Terminals shall be metal stamped 1-2 as shown. Schematic Diagram to be placed on end opposite terminal end, as shown. Black Gothic lettering and line work.

NOTE
 Manufactured in accordance with MIL SPEC T-27-A, except that MIL SPEC T-27-A shall not appear on case and qualification testing is not required.

REQ'D.	ITEM	PART NUMBER	DESCRIPTION	SYMBOL
BUDETTI LIST OF MATERIAL				
MATERIAL		THE TECHNICAL MATERIEL CORP. MAMARONECK, NEW YORK		
FINISH		TITLE REACTOR		
UNLESS OTHERWISE SPECIFIED DIMENSIONS ARE IN INCHES AND INCLUDE CHEMICALLY APPLIED OR PLATED FINISHES		DRAWN EANZA	DATE 9-17-65	FINAL APPROV. [Signature]
		CHECKED [Signature]	DATE 10/7/65	DATE 10/27/65
		ELECT. DES. [Signature]	DATE 11/9/66	TF 5028
		MECH. DES.	DATE	Ø
		M/L [Signature]	DATE 10/25/65	

1	API28	A5256
Q'TY./UNIT	MODEL USED ON	ASS'Y. NO.
SCALE 1:1	CODE	S401-30(6979)
THE CONTENTS OF THIS DRAWING ARE THE EXCLUSIVE PROPERTY OF THE TECHNICAL MATERIEL CORP. ITS UNAUTHORIZED USE OR REPRODUCTION IN WHOLE OR IN PART IS STRICTLY FORBIDDEN.		

NOTES