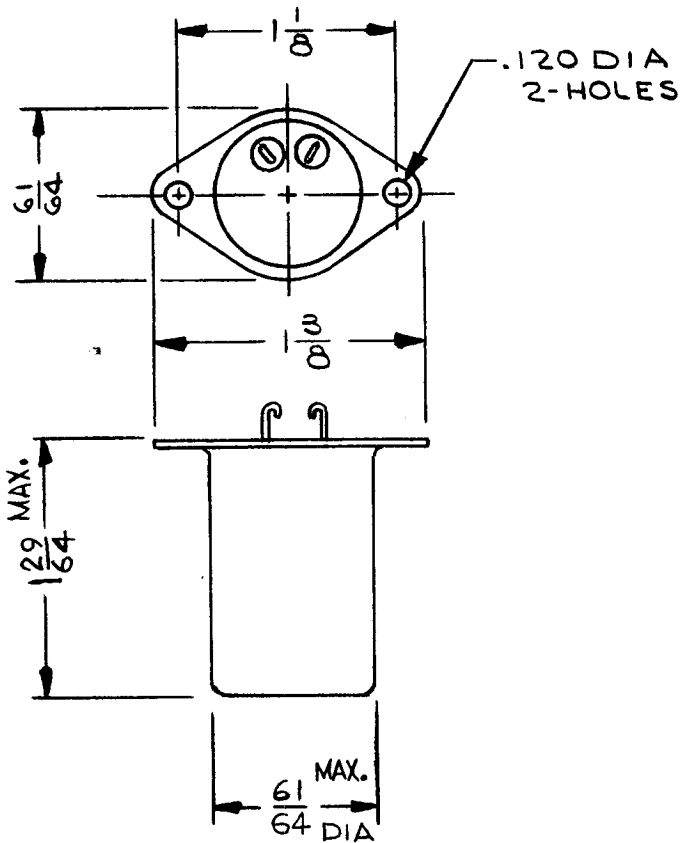


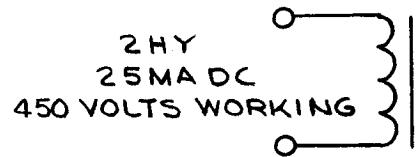
STANDARD DRAWING

REQ. PER UNIT	USED ON			TF 5024 A
	MODEL	ASS'Y. NO.	DATE	
1	TSTE-10K		2-28-66	



- SPECIFICATIONS -

INDUCTANCE: 2 HENRIES
 CURRENT: 25 MA DC
 WORKING VOLTAGE: 450 VOLTS DC
 BREAKDOWN VOLTAGE: 1300 RMS
 CASE MATERIAL & FINISH: METAL, TMC GRAY
 HERMETICALLY SEALED.
 TERMINALS: SOLDER TYPE
 MARKING: TMC P/N, SCHEMATIC WITH ELECT.
 RATINGS, LETTERING BLK GOTHIC.



SYM	DESCRIPTION	DATE	CH. NO.	DRAFTS	CHECKER	ENG. APP.	REQ. ITEM	PART NO.	DESCRIPTION	SYMBOL	
A	129 WAS 17/16 - 61 WAS 15/64 ORIGINAL RELEASE FOR PRODUCTION	7-14-66	16562	DA	JCS	MM			THE TECHNICAL MATERIEL CORP. MAMARONECK, NEW YORK REACTOR		
Ø		3-31-66	Ø		WJW						
UNLESS OTHERWISE SPECIFIED DIMENSIONS ARE IN INCHES AND INCLUDE CHEMICALLY APPLIED OR PLATED FINISHES		SCALE					MATERIAL		J.L. 2/28/66 J.L. 2/28/66 FINAL APPROVAL		
DECIMALS .X ± .05 .XX ± .01 .XXX ± .005		TOLERANCES		FRACTIONS ± 1/64 ANGLES ± 0° 30'		CODE	S401-30(6624)		FINISH & SPEC. NO. J.L.	REACTOR J.L.	TF 5024 A