

IF IT IS FOUND DESIRABLE TO CHANGE ANY TOLERANCE OR OTHER DETAIL SPECIFIED ON THIS DRAWING NOTIFY THE PURCHASER PROMPTLY.

MAXIMUM ALLOWABLE TOLERANCES HAVE BEEN DETERMINED AND DEVIATIONS WILL BE CAUSE FOR REJECTION. REMOVE ALL BURRS AND SHARP EDGES

RELEASED

TF-5003 B

NOTICE TO PERSONS RECEIVING THIS DRAWING

THE TECHNICAL MATERIEL CORPORATION claims proprietary right in the material disclosed hereon. This drawing is issued in confidence for engineering information only and may not be reproduced or used to manufacture anything shown hereon without permission from THE TECHNICAL MATERIEL CORPORATION to the user. This drawing is loaned for mutual assistance and is subject to recall at any time.

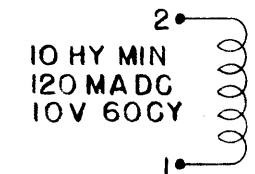
Property of:

THE TECHNICAL MATERIEL CORPORATION  
MAMARONECK, NEW YORK

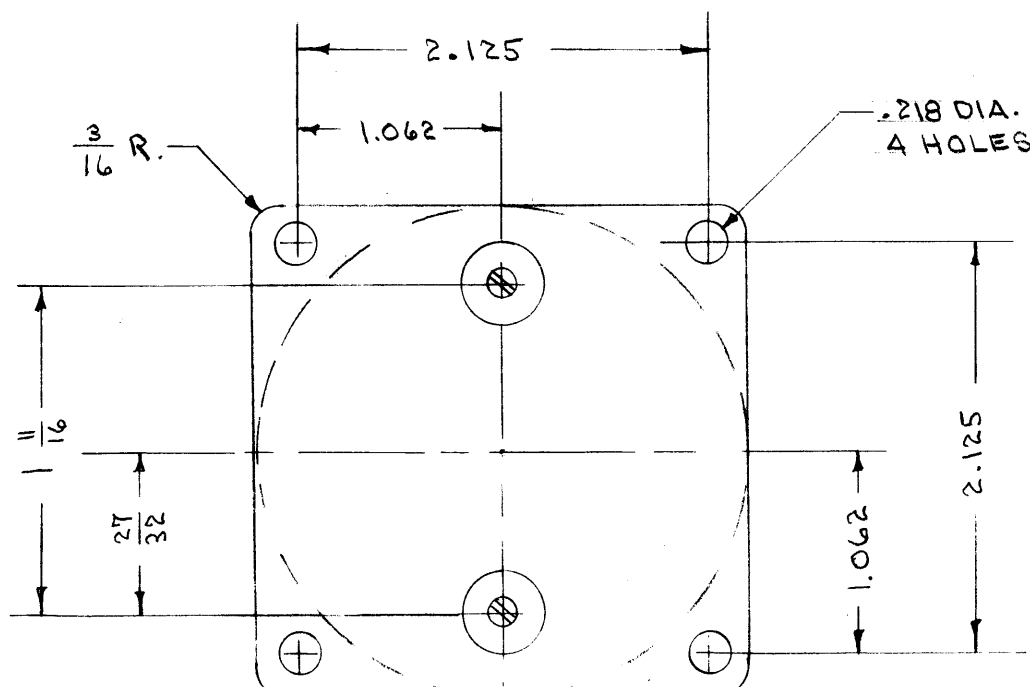
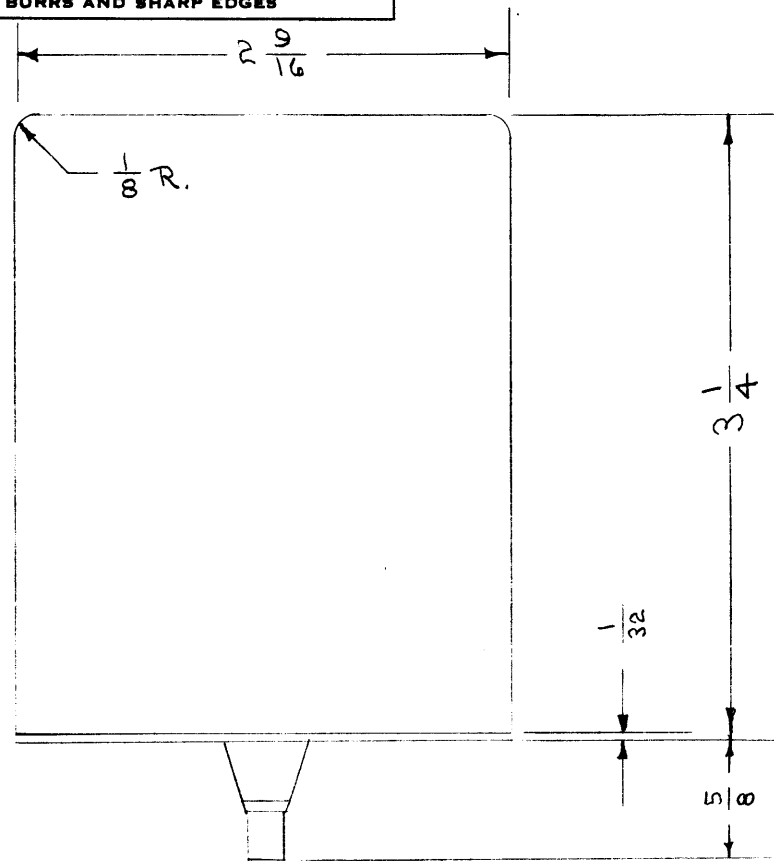
NOTES.:

- 1- MANUFACTURED IN ACCORDANCE WITH MIL SPEC T-27-A EXCEPT THAT MIL SPEC T-27-A SHALL NOT APPEAR ON CASE AND QUALIFICATION TESTING IS NOT REQ.
- 2- FINISH SHALL BE S-116-SMOOTH BLACK ENAMEL.
- 3- SCHEMATIC DIAGRAM, TMC PART NO. (TF-5003), MANUFACTURERS NAME AND PART NO. SHALL APPEAR ON TRANSFORMER.

TMC  
TF-5003



10 HY MIN  
120 MADC  
10V 60CY  
DC RES 400 OHMS MAX  
TEST VOLTS 2000V RMS  
SCHEMATIC



B	1	NOTE ADDED (MIL-T-27-A)	6/25/60	ZBTZ	DM	90/13	15
A	1	TMC Added	10/12/53	1	JAG	05/13	15
ISSUE	ITEM	CHANGED FROM	DATE	CN. NO.	DRAFTS	CHECKER	ENG. APP.

TOLERANCES		SCALE: 1/16"	
ALL OTHERS	DEC. DIM. ± .005 FRAC. DIM. ± 1/64 ANGULAR DIM. ±	A	DRILL, PUNCH, COMMERCIAL STOCK SIZES AND MANUFACTURERS TOLERANCES ARE NOT INCLUDED.
MODEL	PROJECT NO.	ASSY. NO.	DATE
USED ON			

REQ.	ITEM	PART NO.	DESCRIPTION	SYMBOL
			THE TECHNICAL MATERIEL CORP. MAMARONECK, NEW YORK	
STOCK SIZE			REACTOR	
MATERIAL		WEIGHT PER PC.		
TYPE & TEMPER			C.D.D. 12-11-52	G.T.O
HEAT TREAT. SPEC.			DRAWN	ELEC. DES. APP. MECH. DES. APP.
FINISH & SPEC. NO.			MA 12-12-52	FINAL APPROVAL
SEE NOTE			SUPERCEDES B-383-M	TF-5003 B