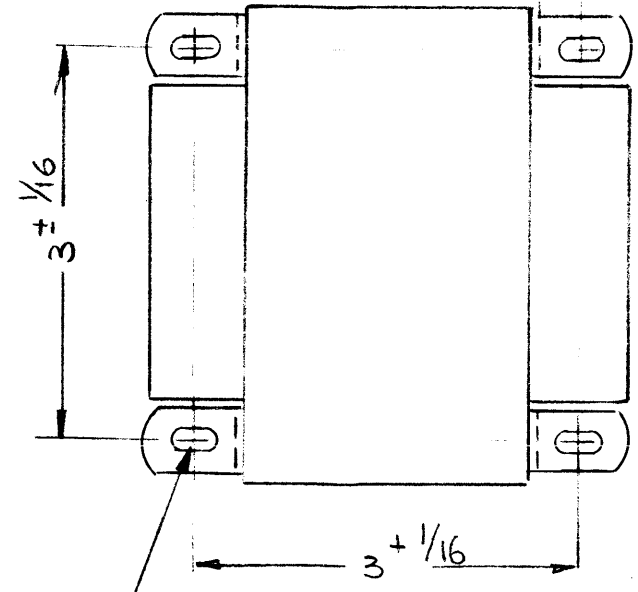
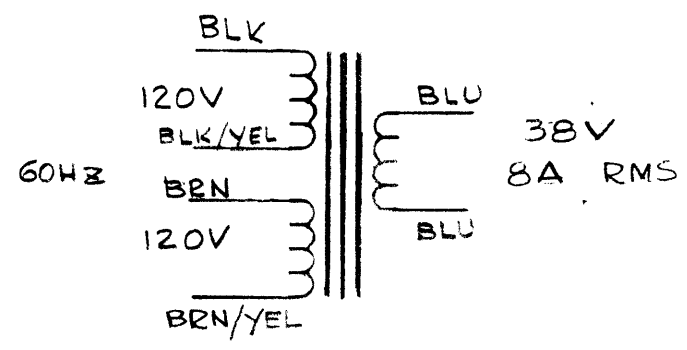
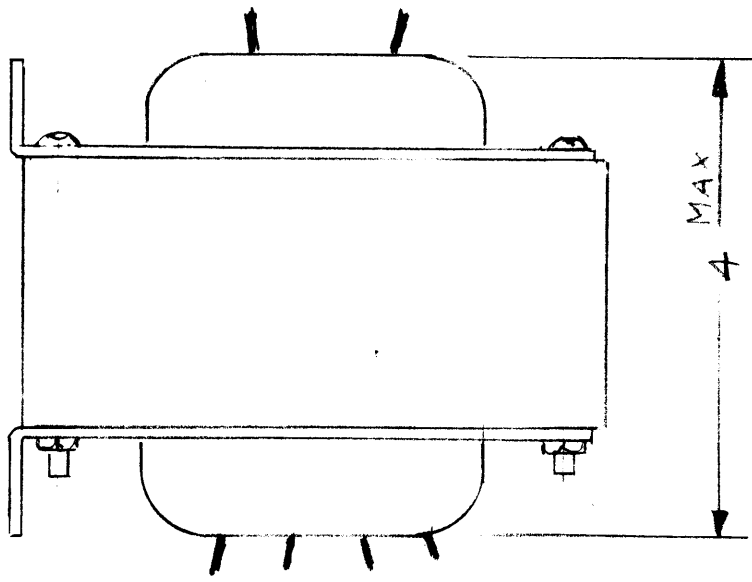
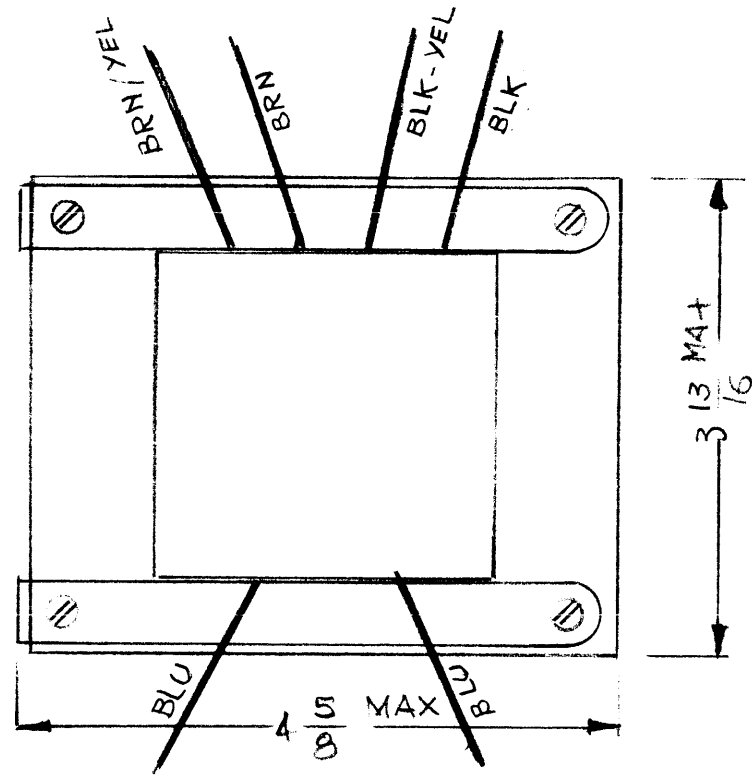


REVISIONS							
E.M.N. NO.	DRAFT	CHKD	ZONE	LTR	DESCRIPTION	DATE	APPROVED
	GDL			Ø	ORIGINAL RELEASE FOR PROD.	5-21-90	

LEADS 12" LONG



13/64 x 5/16 SLOT
4 REQ'D



SCHEMATIC

MFG. BERKSHIRE TRANSFORMER
DWG NO. BTL 10374

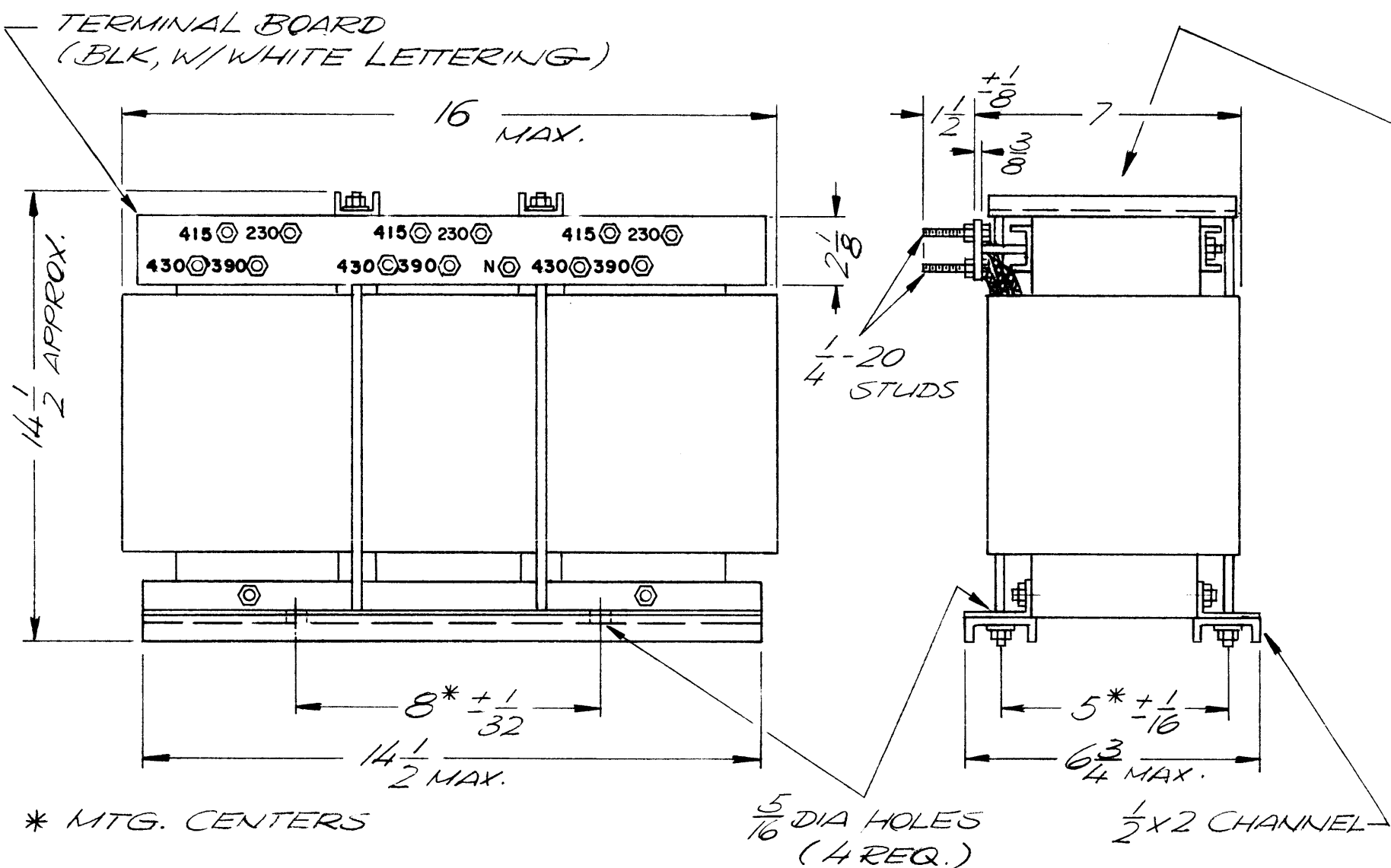
QTY / UNIT	STANDARD	ASS'Y NO.
APPLICATION		
CODE		

NOTICE TO PERSONS RECEIVING THIS DRAWING
THE TECHNICAL MATERIEL CORPORATION claims proprietary right in the material disclosed hereon. This drawing is issued in confidence for engineering information only and may not be reproduced or used to manufacture anything shown hereon without permission from THE TECHNICAL MATERIEL CORPORATION to the user. This drawing is loaned for mutual assistance and is subject to recall at any time.

UNLESS OTHERWISE SPECIFIED DIMENSIONS ARE IN INCHES AND INCLUDE CHEMICALLY APPLIED OR PLATED FINISHES	
DECIMALS .X ± .05 .XX ± .01 .XXX ± .005	FRACTIONS 1/64 ANGLES 0° - 30'
MATERIAL	
FINISH	

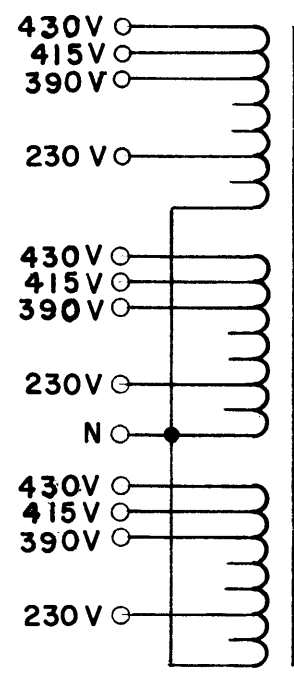
REQ'D	ITEM	PART NUMBER	DESCRIPTION	SYM.
LIST OF MATERIAL				
THE TECHNICAL MATERIEL CORP. MAMARONECK, NEW YORK				
TRANSFORMER STEP DOWN				
SIZE	CODE IDENT. NO.	DWG NO.	ISSUE	
B	82679	TF 406	Ø	
SCALE	SHEET			OF

REVISIONS						
ZONE	LTR	DESCRIPTION	DATE	E.M.N.NO	DRAFT	CHKD APPD
	X1	REDRAWN + CHANGES	5/21/70		KLL	R-5
	Ø	ORIG RELEASE FOR PROD	6/1/70		CV	
	A	VOLTAGE TO TAPS 430, 415, 390 WAS 390, 380, & 370	7-26-77	21563	G.D.L.	WFB *



THE TECHNICAL MATERIEL CORPORATION
MAMARONECK NEW YORK

TF 410



SCHEMATIC - TO BE STAMPED ON XFMR, IN WHITE.

SPECIFICATIONS:

- WINDING DATA:
1. INPUT: 430, 415, 390 VAC, 50/60 Hz, 3 PH.
 2. OUTPUT VOLTAGE: 230 V AC, NEUTRAL.
 3. OUTPUT CURRENT RATING: 70 AMP RMS.
 4. BREAKDOWN TEST VOLTAGE 2000 VAC.
 5. CASE - OPEN FRAME.
 6. FINISH - S115 SMOOTH GREY ENAMEL EXCEPT TERMINAL BOARD & TERMINALS.
 7. TERMINAL BOARD 3/8" THICK.

NOTE:
MFG - IN ACCORDANCE WITH/MIL - T-27A EXCEPT MIL - 7-27A SHALL NOT APPEAR ON CASE AND QUALIFICATION TESTING IS NOT REQUIRED.

1	HFLM 10K	
QTY / UNIT	MODEL USED ON	ASS'Y NO.
	APPLICATION	
	CODE	5401-30
NOTICE TO PERSONS RECEIVING THIS DRAWING THE TECHNICAL MATERIEL CORPORATION claims proprietary right in the material disclosed hereon. This drawing is issued in confidence for engineering information only and may not be reproduced or used to manufacture anything shown hereon without permission from THE TECHNICAL MATERIEL CORPORATION to the user. This drawing is loaned for mutual assistance and is subject to recall at any time.		

UNLESS OTHERWISE SPECIFIED DIMENSIONS ARE IN INCHES AND INCLUDE CHEMICALLY APPLIED OR PLATED FINISHES

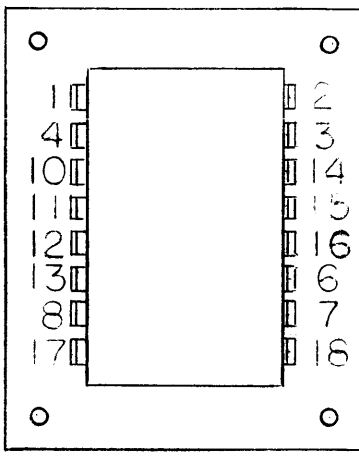
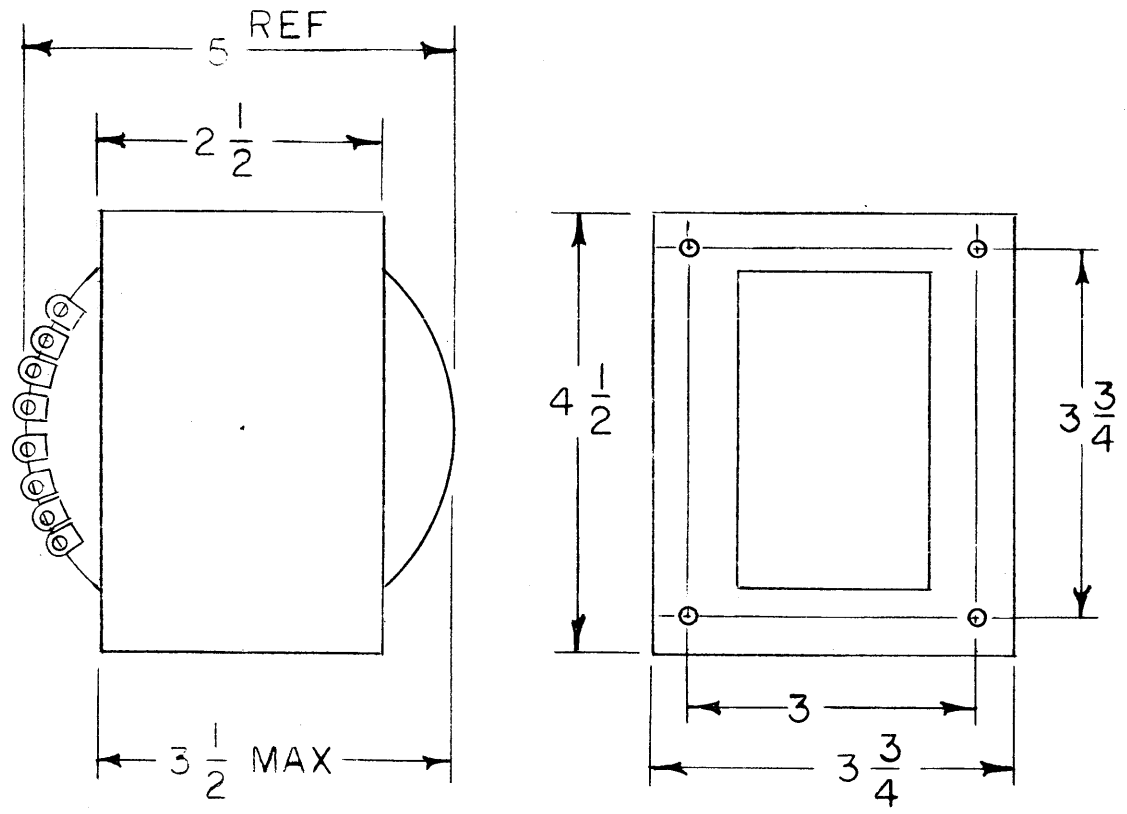
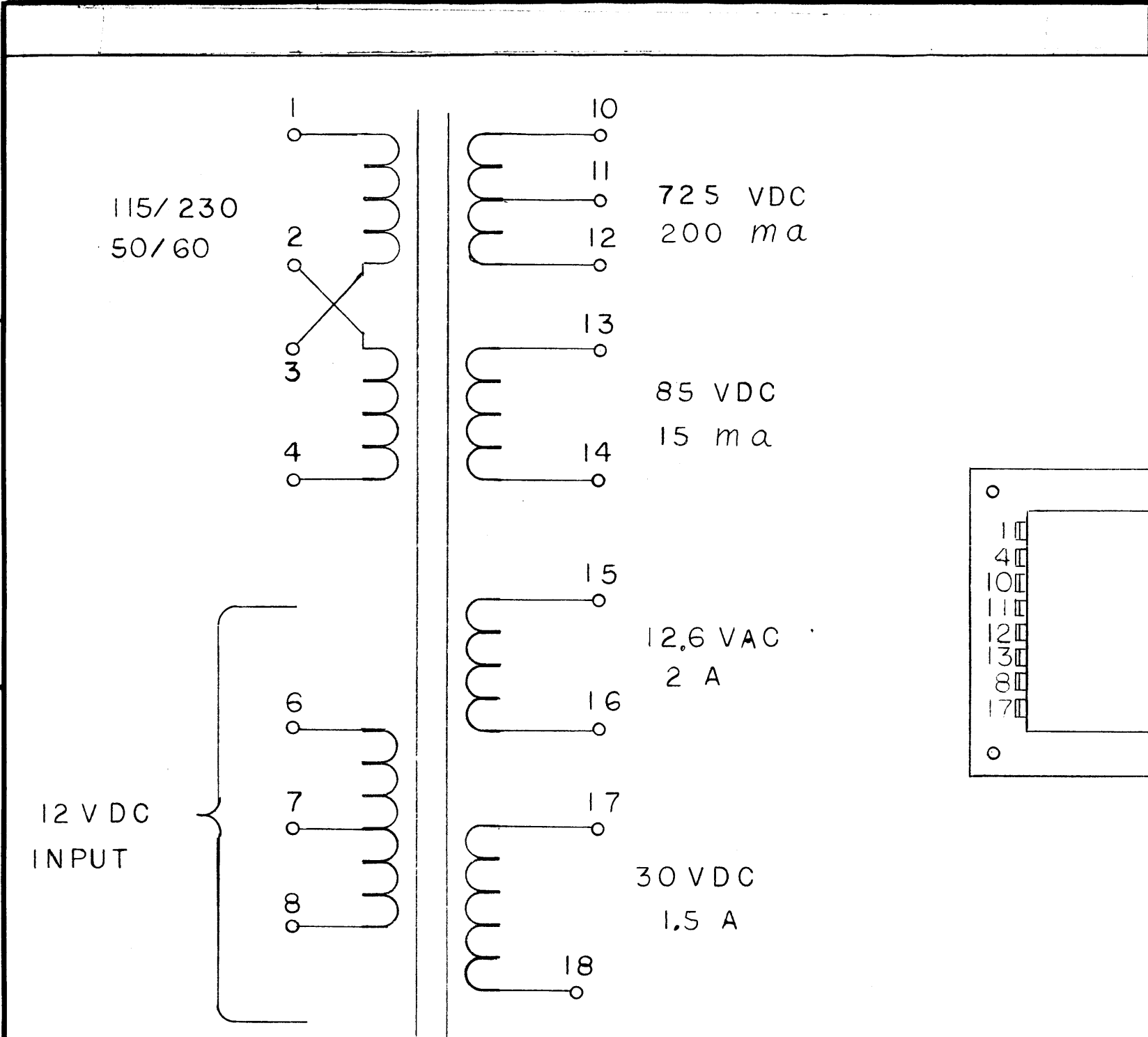
DECIMALS	FRACTIONS
.X ± .05	1/64
.XX ± .01	TOLS. ANGLES
.XXX ± .005	0° .30'

MATERIAL
SEE SPECS

FINISH
SEE SPECS

REQ'D	ITEM	PART NUMBER	DESCRIPTION	SYM.
F. BUDETT LIST OF MATERIAL				
THE TECHNICAL MATERIEL CORP. MAMARONECK, NEW YORK				
ALTO TRANSFORMER				
SIZE	CODE IDENT. NO.	DWG NO.	ISSUE	
B	82679	TF 410	A	
SCALE NONE			SHEET OF	

REVISIONS						
ZONE	LTR	DESCRIPTION	DATE	E.M.N.NO	DRAFT	CHKD APPD
	X	EXP RELEASE	5-17-71		RF	
	Ø	ORIG RELEASE FOR PROD	6/7/71		CV	PEB PEB
	A	DELE. TERM. 5 & 9, CHG. TERM. 11 VALUE	6-22-71	20410	R#	R. B. PEB
	B	ADD. LUGS, CHG. DIM & LUG ORDER	8-17-71	20426	R#	W PEB

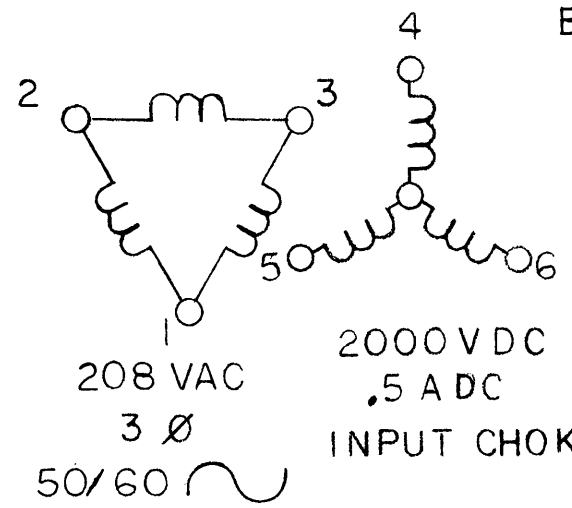
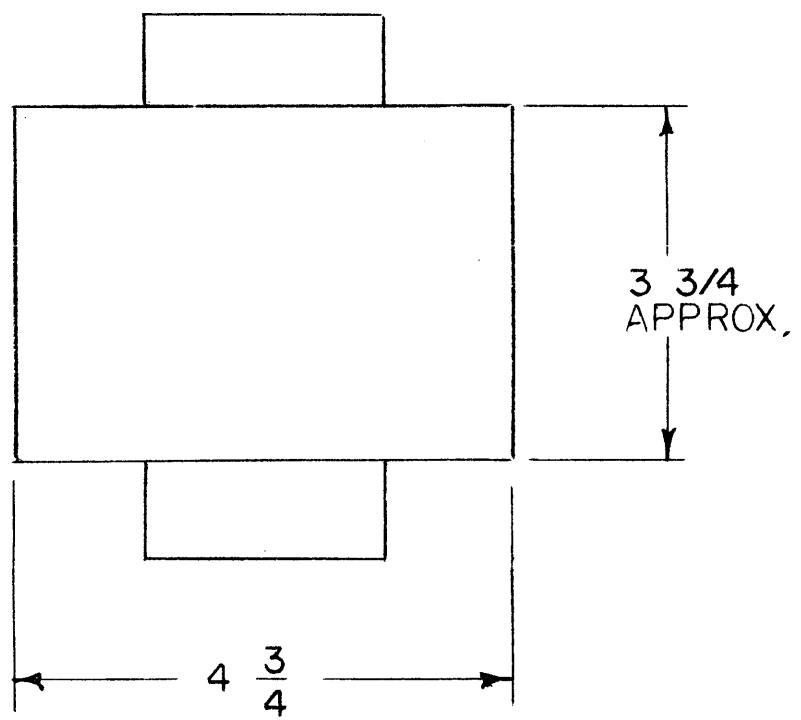
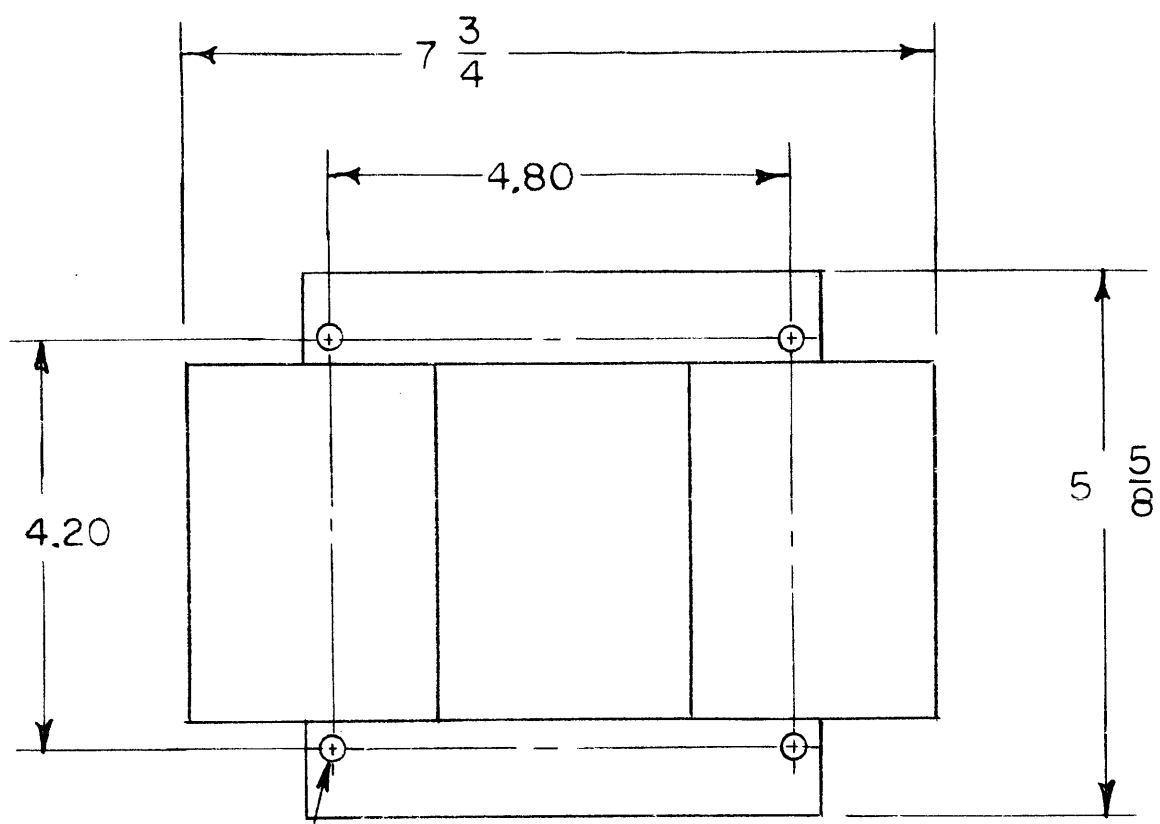


I	TM-125	
QTY / UNIT	MODEL USED ON	ASS'Y NO.
APPLICATION		
	CODE	
NOTICE TO PERSONS RECEIVING THIS DRAWING THE TECHNICAL MATERIEL CORPORATION claims proprietary right in the material disclosed hereon. This drawing is issued in confidence for engineering information only and may not be reproduced or used to manufacture anything shown hereon without permission from THE TECHNICAL MATERIEL CORPORATION to the user. This drawing is loaned for mutual assistance and is subject to recall at any time.		

UNLESS OTHERWISE SPECIFIED DIMENSIONS ARE IN INCHES AND INCLUDE CHEMICALLY APPLIED OR PLATED FINISHES		FINES APPROVAL	DATE
DECIMALS .X ± .05 FRACTIONS 1/64		MECH. DES.	DATE
.XX ± .01 TOLS. ANGLES		ELECT. DES.	DATE
.XXX ± .005 0° -30'		CHECKED B.F.	DATE 6-7-71
MATERIAL		DRAWN R. Forlano	DATE 5-17-71
FINISH BLACK MATT		S401 30(9177)	

REQ'D	ITEM	PART NUMBER	DESCRIPTION	SYM.
LIST OF MATERIAL				
THE TECHNICAL MATERIEL CORP. MAMARONECK, NEW YORK				
TRANSFORMER				
SIZE	CODE IDENT. NO.	DWG NO.	ISSUE	
B	82679	TF 411	B	
SCALE	SHEET		OF 1	

REVISIONS							
ZONE	LTR	DESCRIPTION	DATE	E.M.N.NO	DRAFT	CHKD	APPD
	X	EXP RELEASE	3-29-71		RF		
	Ø	ORIG RELEASE FOR PROD	4/1/71		CV		<i>JEB</i>



208 VAC
3 Ø
50/60

2000 VDC
.5 A DC
INPUT CHOKE CONN.

1	BCT-10K	
QTY / UNIT	MODEL USED ON	ASS'Y NO.
APPLICATION		
	CODE	S40I-30 (9220)

NOTICE TO PERSONS RECEIVING THIS DRAWING
 THE TECHNICAL MATERIEL CORPORATION claims proprietary right in the material disclosed hereon. This drawing is issued in confidence for engineering information only and may not be reproduced or used to manufacture anything shown hereon without permission from THE TECHNICAL MATERIEL CORPORATION to the user. This drawing is loaned for mutual assistance and is subject to recall at any time.

UNLESS OTHERWISE SPECIFIED DIMENSIONS ARE IN INCHES AND INCLUDE CHEMICALLY APPLIED OR PLATED FINISHES	
DECIMALS .X ± .05 .XX ± .01 .XXX ± .005	FRACTIONS 1/64 ANGLES 0° -30'
MATERIAL	
FINISH	

REQ'D	ITEM	PART NUMBER	DESCRIPTION	SYM.
		F. BUDETTI	LIST OF MATERIAL	
FINAL APPROVED: <i>[Signature]</i> DATE: 3/29/71 MECH. DES.: A VC DATE: 3/29/71 ELECT. DES.: DATE: CHECKED: DATE: DRAWN: <i>R. Forlano</i> DATE: 3-29-71				
THE TECHNICAL MATERIEL CORP. MAMARONECK, NEW YORK				
OUTLINE DRAWING TRANSFORMER				
SIZE	CODE IDENT. NO.	DWG NO.	ISSUE	
B	82679	TF-412	Ø	
SCALE 1/2			SHEET 1 OF 1	

5

4

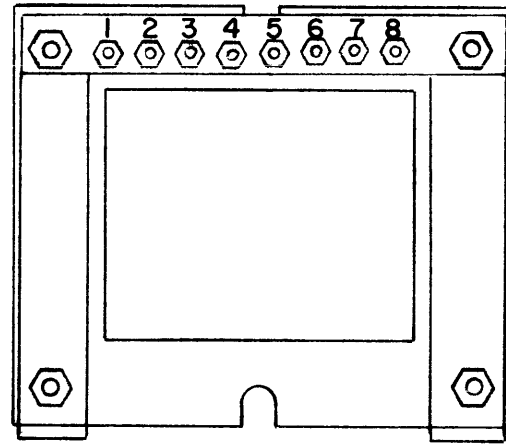
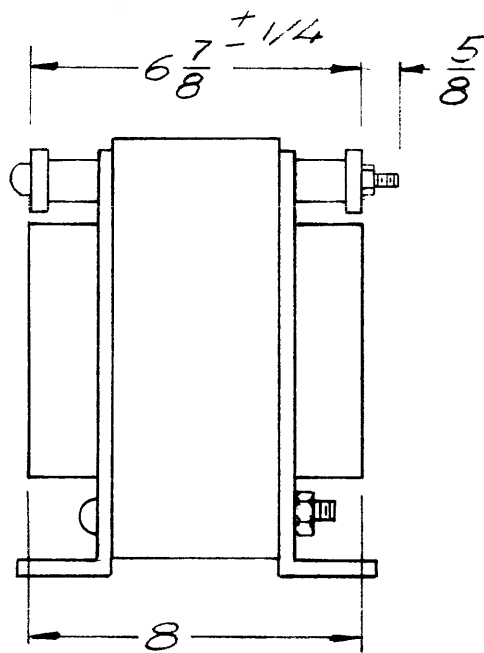
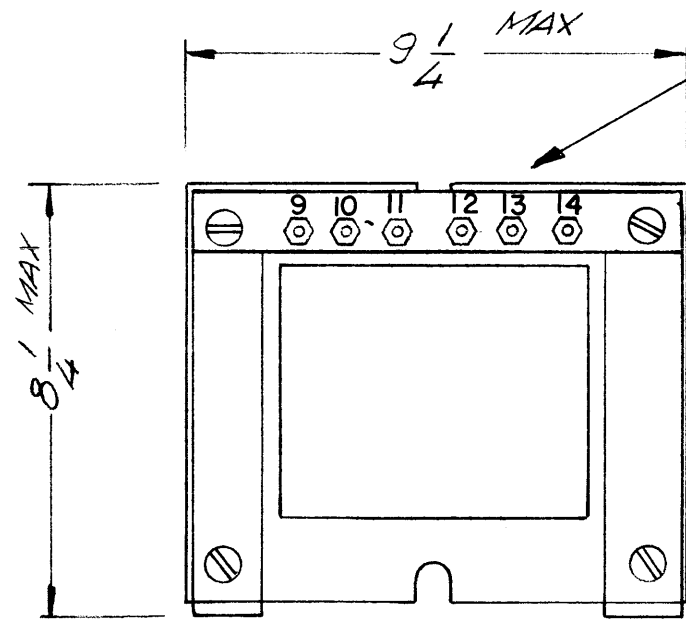
3

2

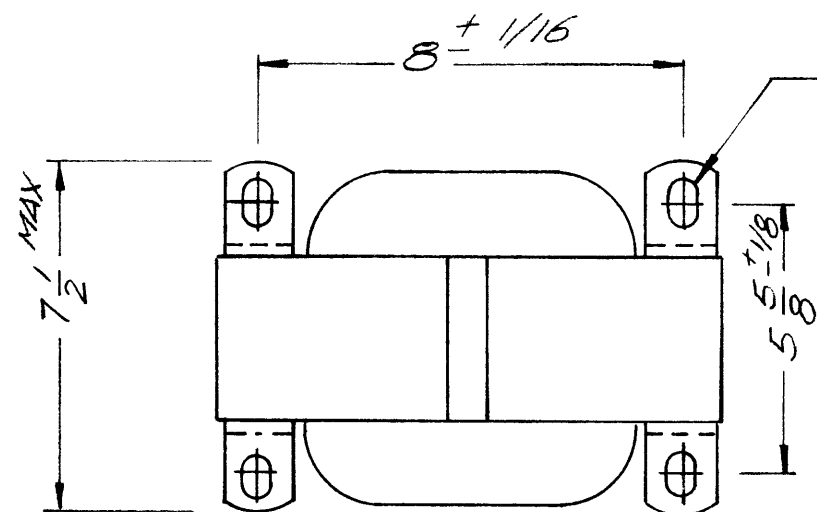
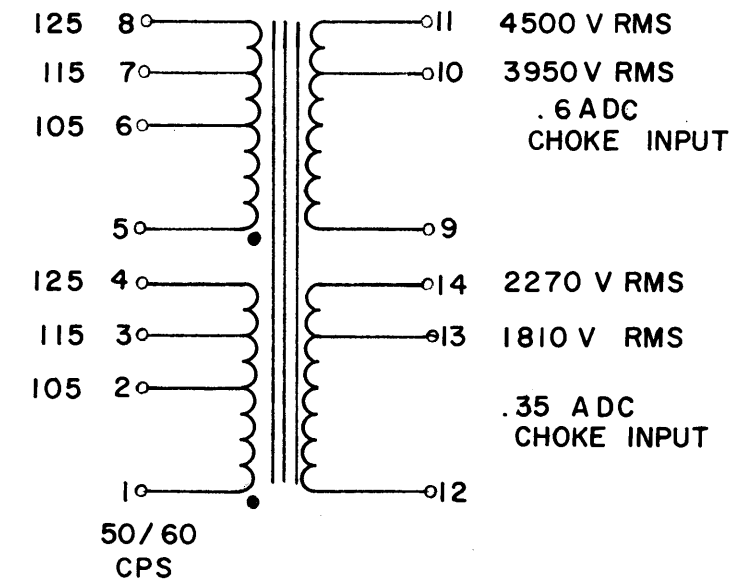
1

REVISIONS						
ZONE	LTR	DESCRIPTION	DATE	E.M.N.NO	DRAFT	CHKD APPD
	X	EXP RELEASE	8-19-70		GE	
	Ø	CORRECT RELEASE	9/13/71		W	GEA
	A	TOLERANCE CHG	12/5/71	20966	GE	W GEA
	B	NOTE ADDED	1/20/72	20525	RG	W G

MARK TMC PART NUMBER
1/8 HIGH GOTHIC WITH LATEST
REVISION LETTER



NOTE: XFMR TO BE
MANUFACTURED WITH
CLASS B HI TEMP
INSULATION.



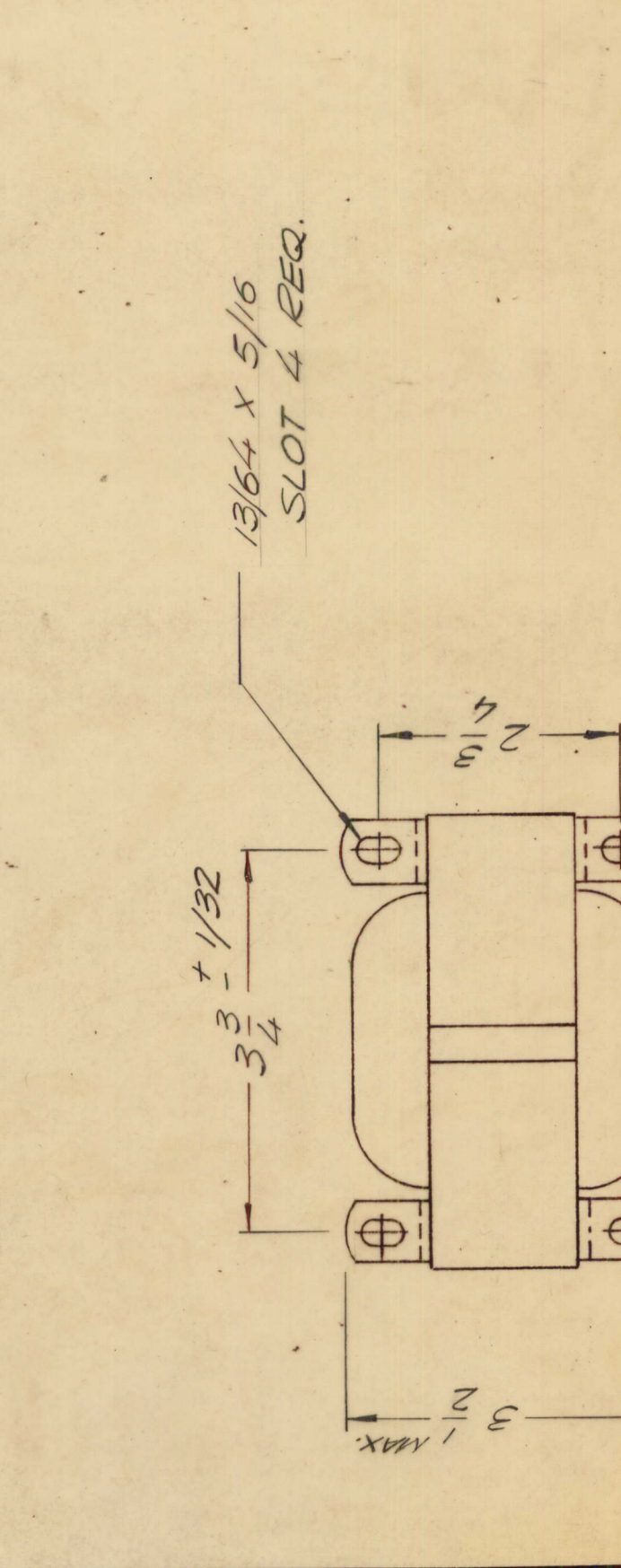
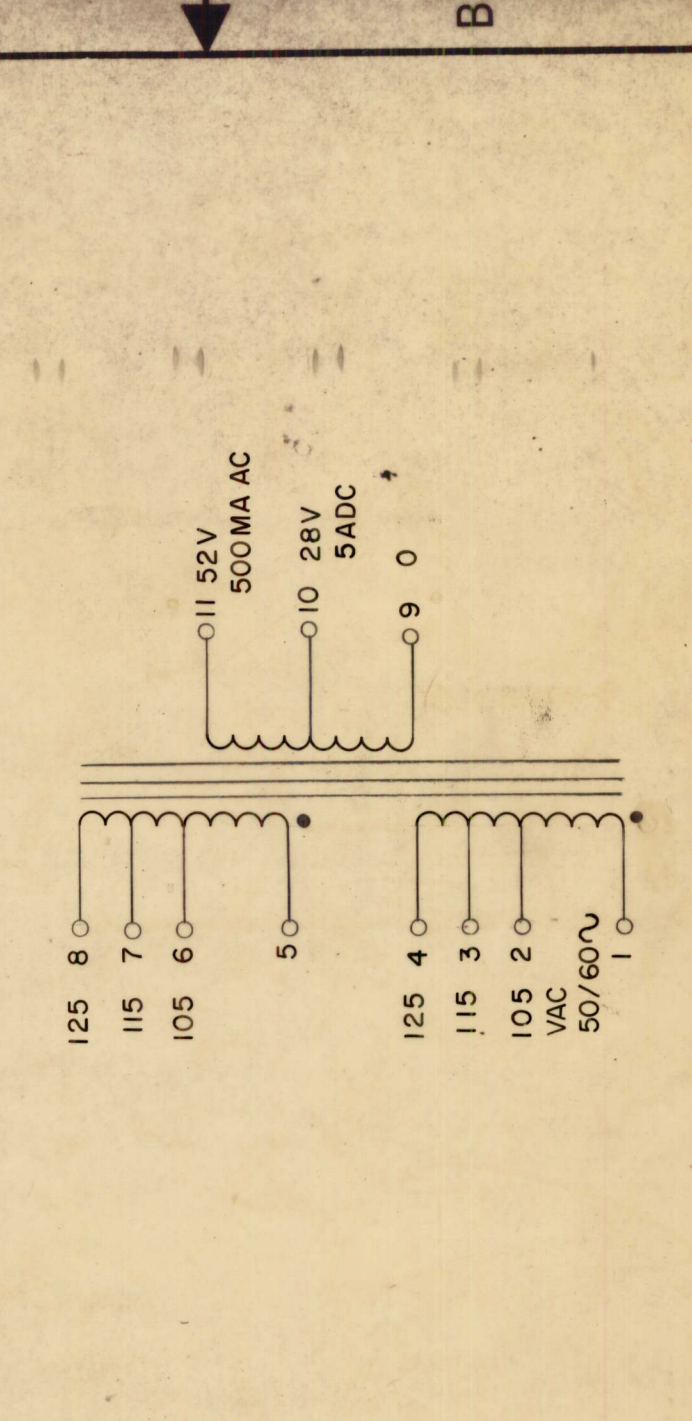
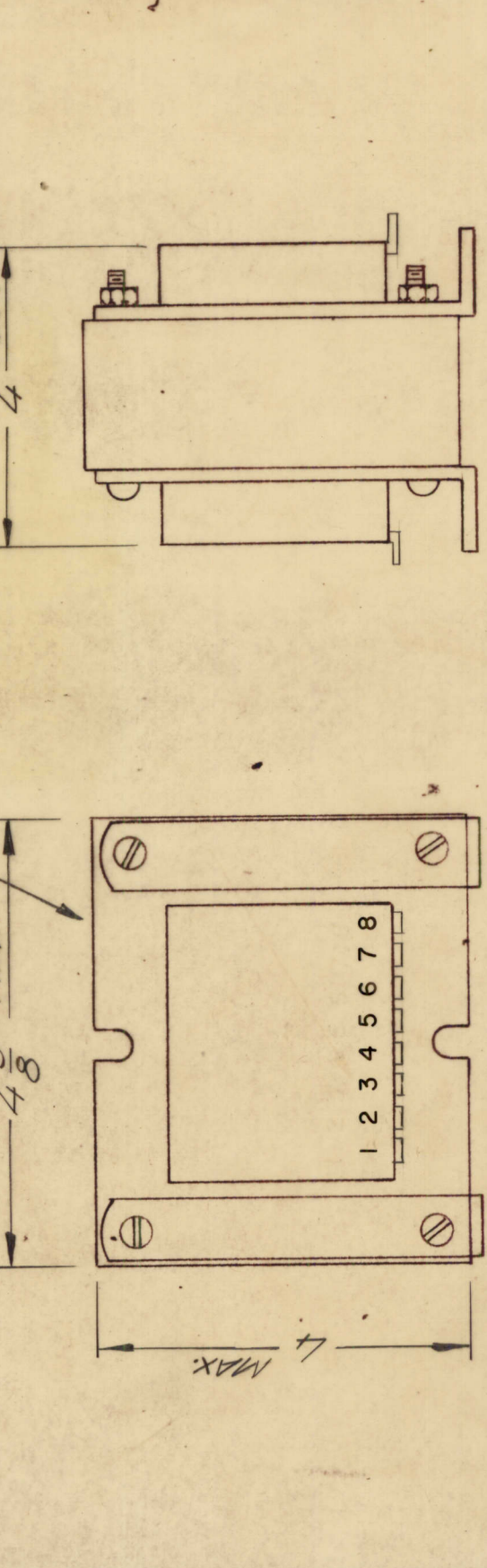
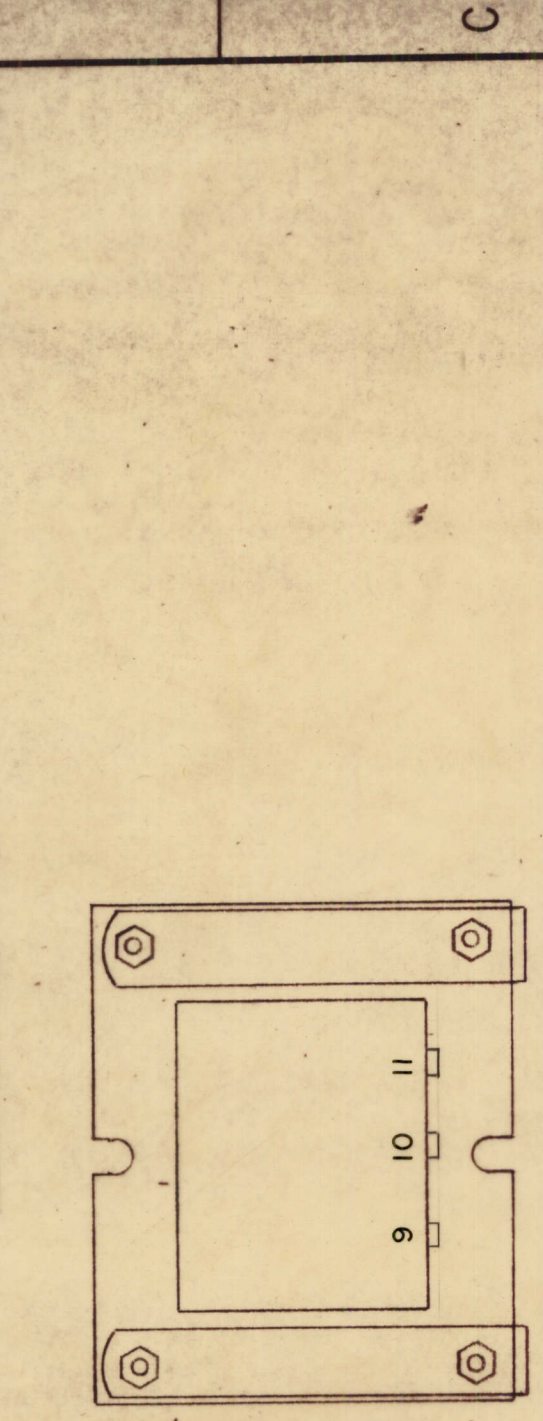
REQ'D	ITEM	PART NUMBER	DESCRIPTION	SYM.
BUDETTI LIST OF MATERIAL				
FINAL APPROVAL		DATE	THE TECHNICAL MATERIEL CORP.	
MECH. DES.		DATE	MAMARONECK, NEW YORK	
ELECT. DES.		DATE	XFMR PLATE	
CHECKED		DATE		
DRAWN		DATE		
5401-30 (78678)		SIZE	CODE IDENT. NO.	DWG NO.
		B	82679	TF 413
		SCALE	SHEET	OF

1	HFLA-1K	AP152	UNLESS OTHERWISE SPECIFIED DIMENSIONS ARE IN INCHES AND INCLUDE CHEMICALLY APPLIED OR PLATED FINISHES
1	HFLM-1K	AP150	
QTY / UNIT	MODEL USED ON	ASS'Y NO.	DECIMALS .X ± .05 .XX ± .01 .XXX ± .005
APPLICATION			FRACTIONS 1/64 ANGLES 0° .30'
CODE			MATERIAL
NOTICE TO PERSONS RECEIVING THIS DRAWING THE TECHNICAL MATERIEL CORPORATION claims proprietary right in the material disclosed hereon. This drawing is issued in confidence for engineering information only and may not be reproduced or used to manufacture anything shown hereon without permission from THE TECHNICAL MATERIEL CORPORATION to the user. This drawing is loaned for mutual assistance and is subject to recall at any time.			FINISH

ZONE		LTR	DESCRIPTION	DATE	E.M.N. NO	DRAFT	CHKD	APPD
	X		EXP RELEASE	8/9/70		GE		
	Q		ORIGINAL RELEASE	9/19/71		CU		GE
	A		ADD VAC 50/60~ TO SCH.	4-26-72	20608	GE	QJ	QJ

REVISIONS	DESCRIPTION	DATE	E.M.N. NO	DRAFT	CHKD	APPD

MARK TMC PART NUMBER
1/8 HIGH GOTHIC WITH LATEST
REVISION LETTER



REQ'D ITEM	PART NUMBER	DESCRIPTION	SYM.
BUDETTI		LIST OF MATERIAL	

FINAL APPROVAL	DATE	MECH. DES.	DATE	ELECT. DES.	DATE	CHECKED	DATE	DRAWN	DATE
[Signature]	3/26/71			[Signature]	3/26/71			GE	8/9/70

UNLESS OTHERWISE SPECIFIED DIMENSIONS ARE IN INCHES AND INCLUDE CHEMICALLY APPLIED OR PLATED FINISHES	FRACTIONS	DECIMALS	TOLS.	ANGLES
	1/64	.XX ± .01	.XXX ± .005	0°-30'

QTY / UNIT	MODEL USED ON	ASS'Y NO.
1	HFLM-1K	API49

REQ'D ITEM	PART NUMBER	DESCRIPTION	SYM.
		THE TECHNICAL MATERIEL CORP. MAMARONECK, NEW YORK	
		XFMR, L.V.	
		SIZE B	
		CODE IDENT. NO. 82679	
		DWG NO. TF 415	
		SCALE 20 X 107	
		SHEET 1	
		OF 1	

NOTICE TO PERSONS RECEIVING THIS DRAWING
THE TECHNICAL MATERIEL CORPORATION claims proprietary right in the material disclosed hereon. This drawing is issued in confidence for engineering information only and may not be reproduced or used to manufacture anything shown hereon without permission from THE TECHNICAL MATERIEL CORPORATION to the user. This drawing is loaned for mutual assistance and is subject to recall at any time.

MARK TMC PART NUMBER
1/8 HIGH GOTHIC WITH LATEST
REVISION LETTER

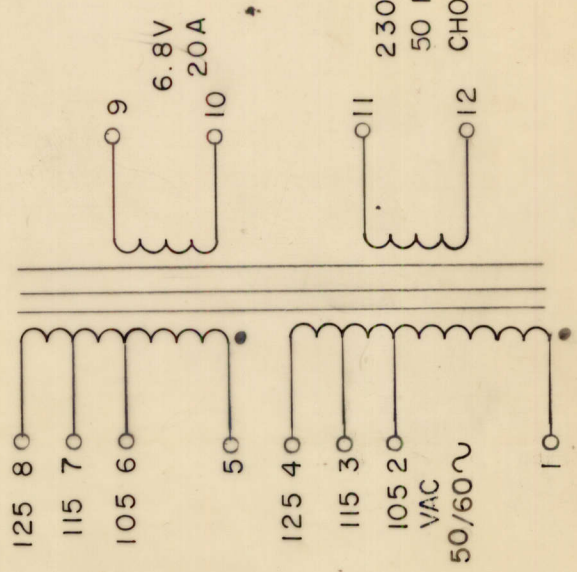
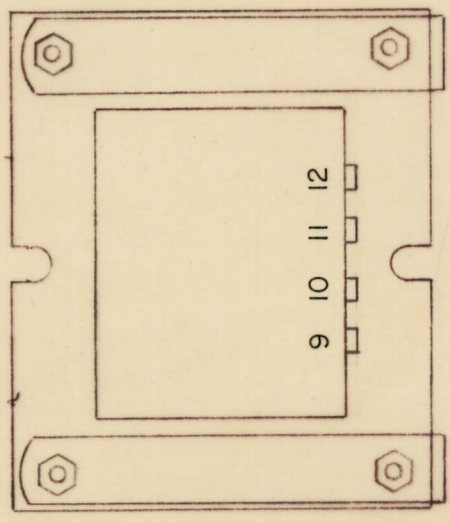
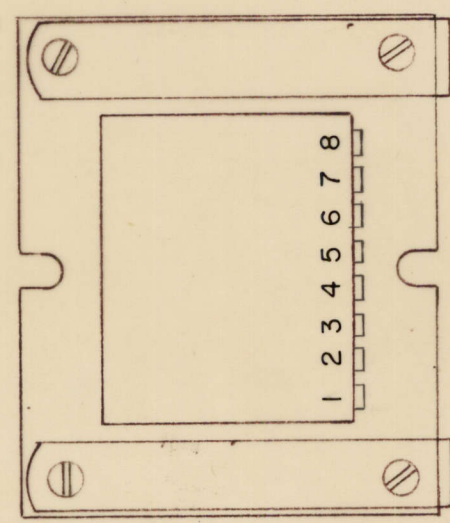
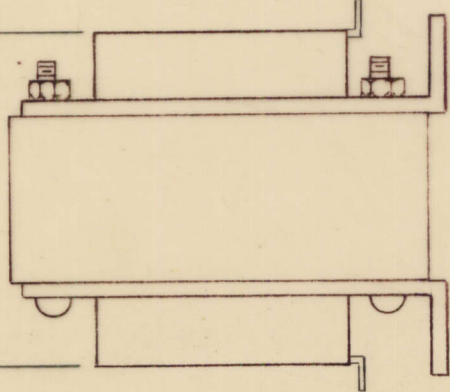
3 7/8 MAX.

3 7/16 MAX.

2 1/16 MAX.

2 13/16 + 1/32

13/64 x 5/16
SLOT (4)



REVISIONS

ZONE	LTR	DESCRIPTION	DATE	E.M.N.NO	DRAFT	CHKD	APPD
	X	EXP RELEASE	8/18/70		GE		
	Ø	ORIGINAL RELEASE	8/19/71		CV		P.E.A.
	A	ADD VAC 50/60 to SCH.	4-26-72	20608	GE	EG	EG

REQ'D	ITEM	PART NUMBER	DESCRIPTION	SYM.
		BUDETTI	LIST OF MATERIAL	
			THE TECHNICAL MATERIEL CORP. MAMARONECK, NEW YORK	
			XFMR, FILA	
			SIZE B	
			CODE IDENT. NO. 82679	
			DWG NO. TF 414	
			ISSUE A	
			SCALE DG 1/8"	
			SHEET 1	

FINAL APPROVAL	DATE	MECH. DES.	DATE	ELECT. DES.	DATE	CHECKED	DATE	DRAWN	DATE
[Signature]	3/26/71	[Signature]	3/26/71	[Signature]	3/26/71	[Signature]	3/26/71	[Signature]	3/26/71

UNLESS OTHERWISE SPECIFIED DIMENSIONS ARE IN INCHES AND INCLUDE CHEMICALLY APPLIED OR PLATED FINISHES	DECIMALS	FRACTIONS
.X ± .05	1/64	
.XX ± .01		ANGLES
.XXX ± .005		0° .30'

QTY / UNIT	MODEL USED ON	ASSY NO.
1	HFLM-1K	AP149

APPLICATION

CODE

NOTICE TO PERSONS RECEIVING THIS DRAWING
THE TECHNICAL MATERIEL CORPORATION claims proprietary right in the material disclosed hereon. This drawing is issued in confidence for engineering information only and may not be reproduced or used to manufacture anything shown hereon without permission from THE TECHNICAL MATERIEL CORPORATION to the user. This drawing is loaned for mutual assistance and is subject to recall at any time.

5

4

3

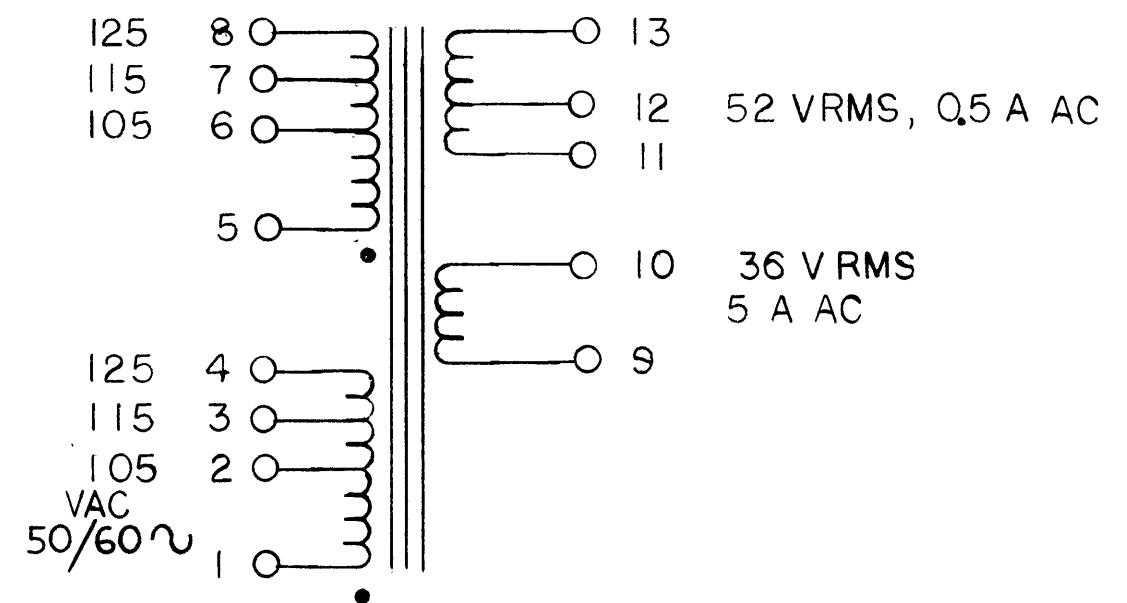
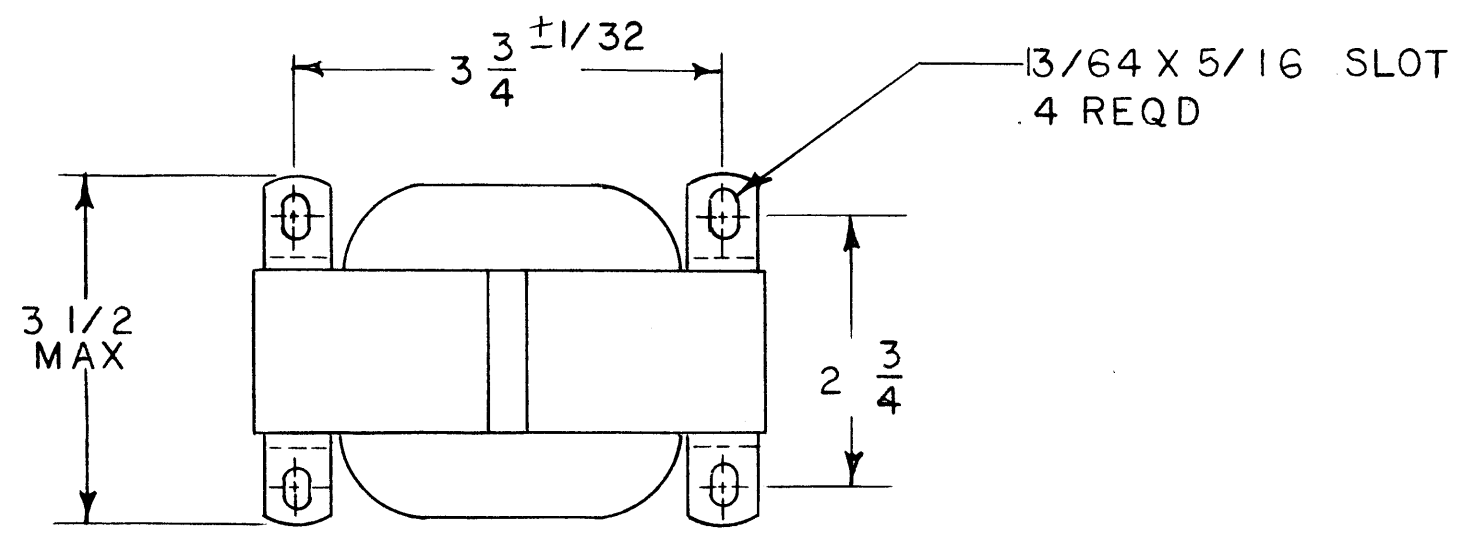
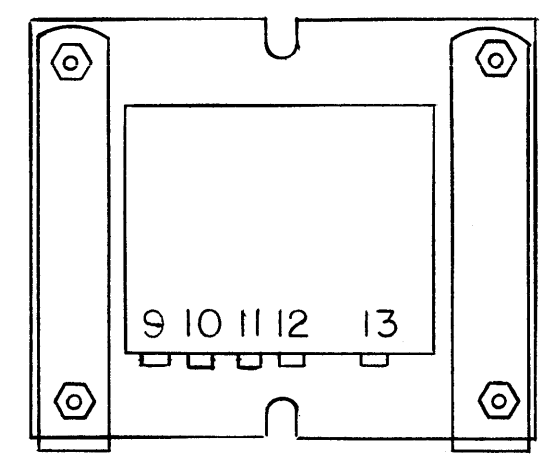
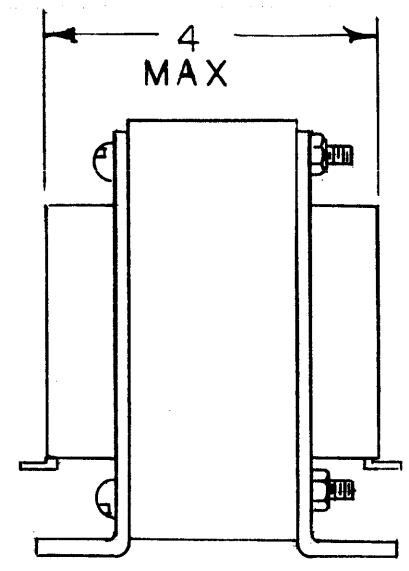
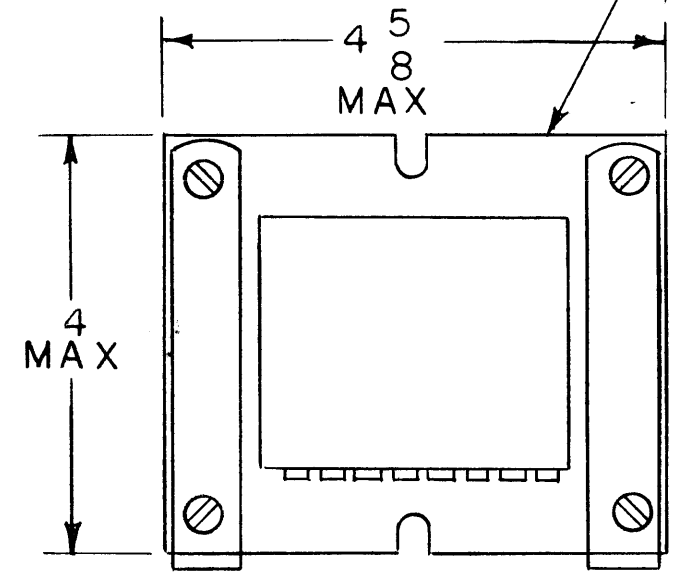
2

1

REVISIONS

ZONE	LTR	DESCRIPTION	DATE	E.M.N.NO	DRAFT	CHKD	APPD
	X	EXPERIMENTAL RELEASE	2-25-71		RF		
	Ø	ORIGINAL RELEASE	5/15/71		Ø		Ø
	A	ADD VAC 50/60~ TO SCH.	4/26/72	20608	GE	Ø	Ø

MARK TMC PART NUMBER
1/8 HIGH GOTHIC WITH LATEST
REVISION LETTER



REQ'D	ITEM	PART NUMBER	DESCRIPTION	SYM.
-------	------	-------------	-------------	------

F. BUDETTI LIST OF MATERIAL

I	HFLA-1K	AP-151
QTY / UNIT	MODEL USED ON	ASS'Y NO.
APPLICATION		
CODE		

NOTICE TO PERSONS RECEIVING THIS DRAWING
THE TECHNICAL MATERIEL CORPORATION claims proprietary right in the material disclosed hereon. This drawing is issued in confidence for engineering information only and may not be reproduced or used to manufacture anything shown hereon without permission from THE TECHNICAL MATERIEL CORPORATION to the user. This drawing is loaned for mutual assistance and is subject to recall at any time.

UNLESS OTHERWISE SPECIFIED DIMENSIONS ARE IN INCHES AND INCLUDE CHEMICALLY APPLIED OR PLATED FINISHES	FINAL APPROVAL	DATE
DECIMALS .X ± .05 .XX ± .01 .XXX ± .005	MECH. DES.	DATE
FRACTIONS 1/64 ANGLES 0° -30'	ELECT. DES.	DATE
MATERIAL	CHECKED	DATE
FINISH	DRAWN	DATE
	S 401-30 (9579)	2-25-71

THE TECHNICAL MATERIEL CORP.
MAMARONECK, NEW YORK

XFMR, LV.

SIZE	CODE IDENT. NO.	DWG NO.	ISSUE
B	82679	TF 416	A

SCALE ~ SHEET / OF 1

5

4

3

2

1

5

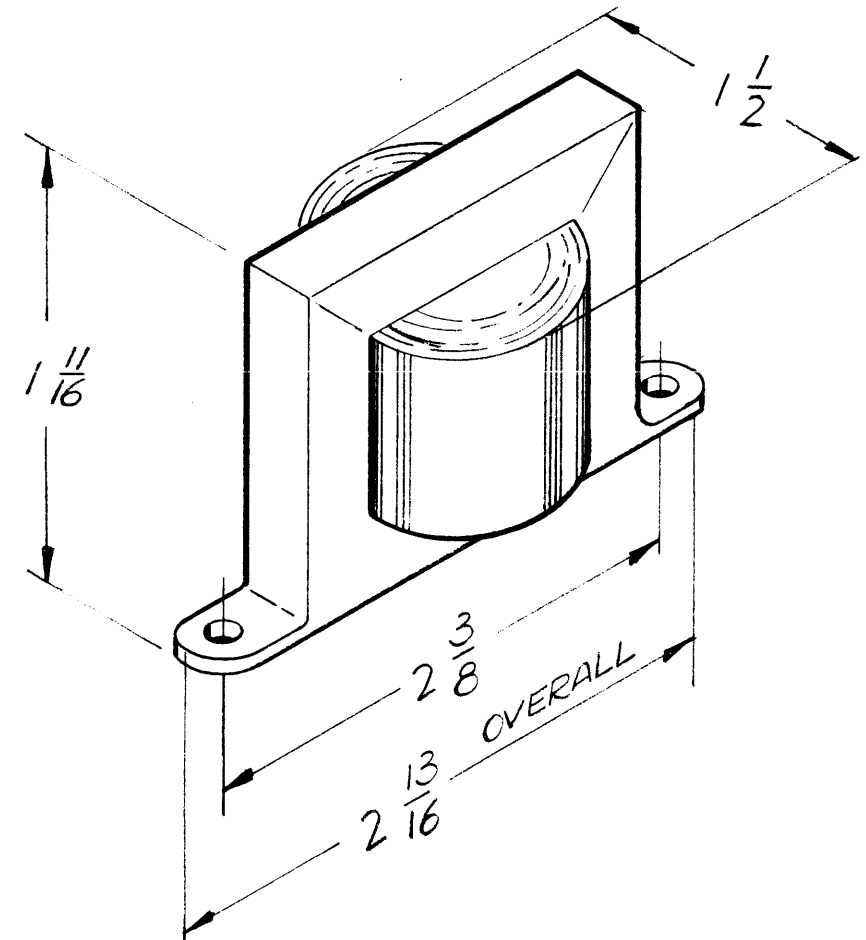
4

3

2

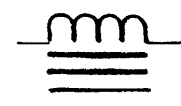
1

REVISIONS							
E.M.N. NO.	DRAFT	CHKD	ZONE	LTR	DESCRIPTION	DATE	APPROVED
	<i>EJ</i>			\emptyset	ORIGINAL RELEASE FOR PRODUCTION	6/29/72	



SPECIFICATIONS

VALUE ————— 0.7HY - 15% + 50%
 CURRENT RATING ————— 290 ma
 DC RESISTANCE ————— 30 OHMS



MFG. PART NO. 6X35HF

<i>MMXA-2A(MRLI-33)</i>		
QTY / UNIT	MODEL USED ON	ASS'Y NO.
APPLICATION		
CODE		

NOTICE TO PERSONS RECEIVING THIS DRAWING
 THE TECHNICAL MATERIEL CORPORATION claims proprietary right in the material disclosed hereon. This drawing is issued in confidence for engineering information only and may not be reproduced or used to manufacture anything shown hereon without permission from THE TECHNICAL MATERIEL CORPORATION to the user. This drawing is loaned for mutual assistance and is subject to recall at any time.

UNLESS OTHERWISE SPECIFIED DIMENSIONS ARE IN INCHES AND INCLUDE CHEMICALLY APPLIED OR PLATED FINISHES	
DECIMALS .X ± .05 .XX ± .01 .XXX ± .005	FRACTIONS 1/64 ANGLES 0° .30'
MATERIAL	
FINISH	

REQ'D	ITEM	PART NUMBER	DESCRIPTION	SYM.
O.P. LIST OF MATERIAL				
THE TECHNICAL MATERIEL CORP. MAMARONECK, NEW YORK				
CHOKE, FILTER				
SIZE	CODE IDENT. NO.	DWG NO.	ISSUE	
B	82679	TF 418	\emptyset	
SCALE NTS			SHEET	OF

5

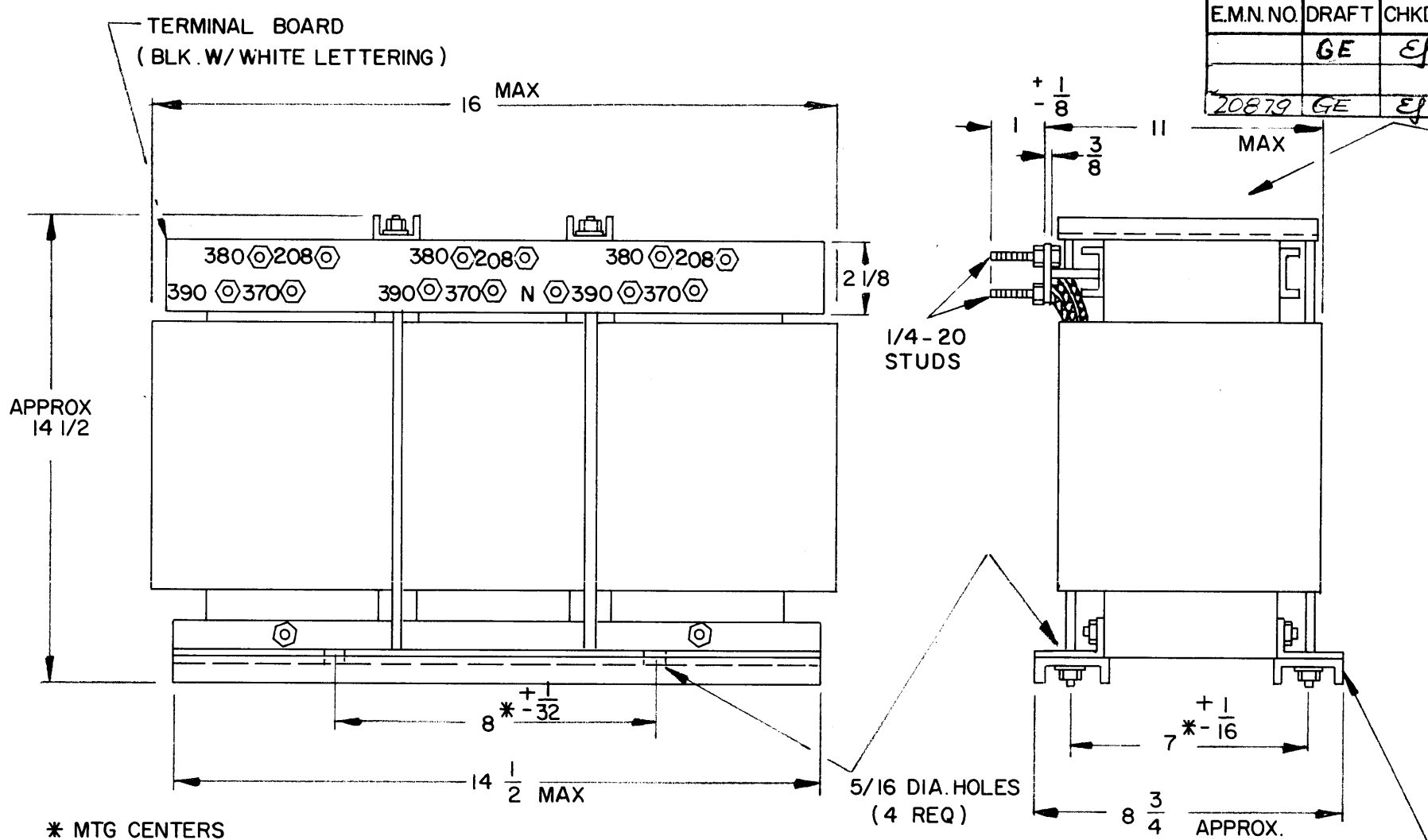
4

3

2

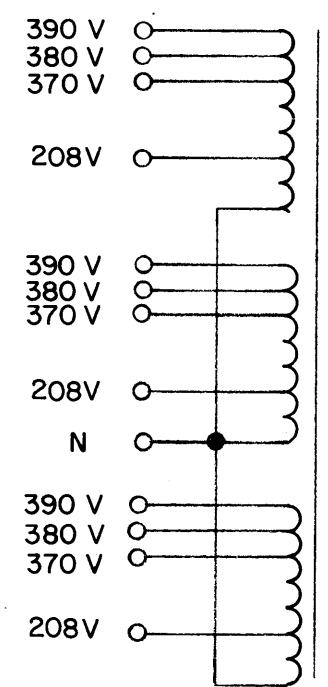
1

REVISIONS							
EM.N.NO.	DRAFT	CHKD	ZONE	LTR	DESCRIPTION	DATE	APPROVED
	GE	EJ		A	7* WAS 5* - 8 3/4 WAS 6 3/4 &	3/23/72	EJ
					COMPLETELY REDRAWN (ORIG. DESTROYED)		
20879	GE	EJ		B	208V WAS 230V	9/18/72	EJ



THE TECHNICAL MATERIEL CORPORATION
MAMARONECK NEW YORK

TF419



SCHEMATIC TO BE STAMPED ON XMTR, IN WHITE

SPECIFICATIONS

WINDING DATA:

- INPUT: 390, 380, 370 VAC, 50HZ, 3PH
- OUTPUT VOLTAGE: 208 VAC, NEUTRAL
- OUTPUT CURRENT RATING: 100 AMP, RMS
- BREAKDOWN TEST VOLTAGE: 2000 VAC
- CASE: OPEN FRAME
- FINISH: S115 SMOOTH GREY ENAMEL EXCEPT TERMINAL BOARDS & TERMINALS
- TERMINAL BOARD 3/8" THICK

NOTE:

MFG: IN ACCORDANCE WITH MIL-T-27A EXCEPT THAT MIL-T-27A SHALL NOT APPEAR ON CASE AND QUALIFICATION TESTING IS NOT REQUIRED.

1	BCT-10K	
QTY / UNIT	MODEL USED ON	ASS'Y NO.
APPLICATION		
	CODE	

NOTICE TO PERSONS RECEIVING THIS DRAWING
THE TECHNICAL MATERIEL CORPORATION claims proprietary right in the material disclosed hereon. This drawing is issued in confidence for engineering information only and may not be reproduced or used to manufacture anything shown hereon without permission from THE TECHNICAL MATERIEL CORPORATION to the user. This drawing is loaned for mutual assistance and is subject to recall at any time.

UNLESS OTHERWISE SPECIFIED DIMENSIONS ARE IN INCHES AND INCLUDE CHEMICALLY APPLIED OR PLATED FINISHES

DECIMALS .X ± .05 .XX ± .01 .XXX ± .005

FRACTIONS 1/64 ANGLES 0° -30'

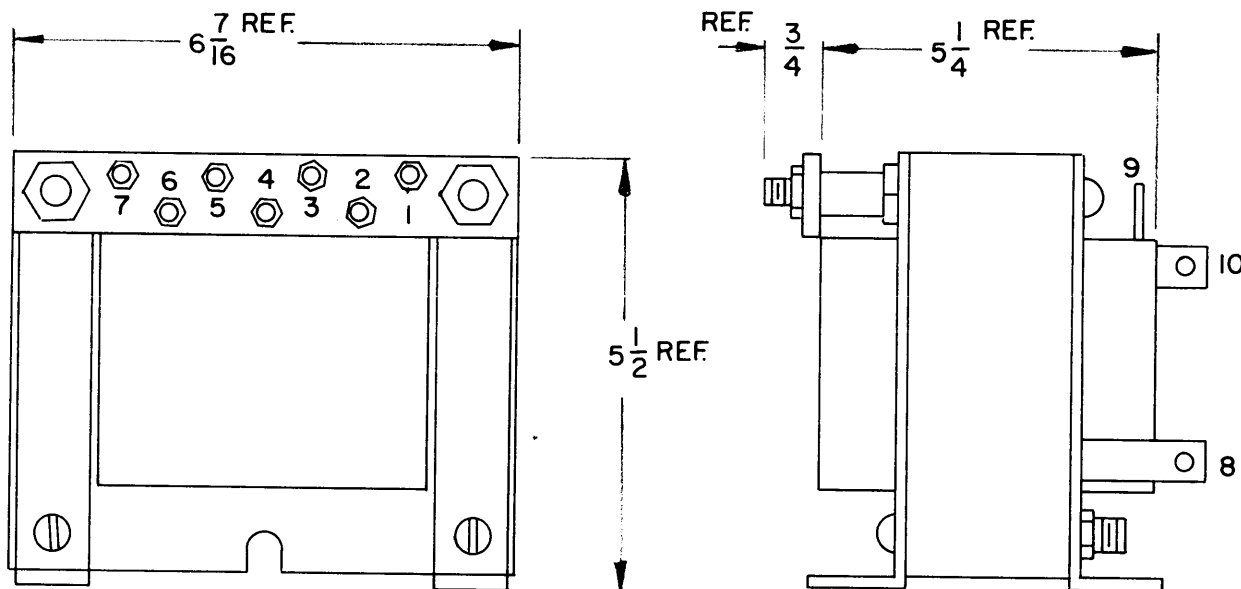
MATERIAL SEE SPECS

FINISH SEE SPECS

REQ'D	ITEM	PART NUMBER	DESCRIPTION	SYM.		
F. B. LIST OF MATERIAL						
FINAL APPROVAL		DATE	THE TECHNICAL MATERIEL CORP. MAMARONECK, NEW YORK			
MECH. DES.		DATE				
ELECT. DES.		DATE				
CHECKED		DATE				
DRAWN		DATE	AUTO TRANSFORMER			
		DATE	SIZE	CODE IDENT. NO.	DWG NO.	ISSUE
			B	82679	TF419	B
SCALE			NONE	SHEET		OF

REVISIONS

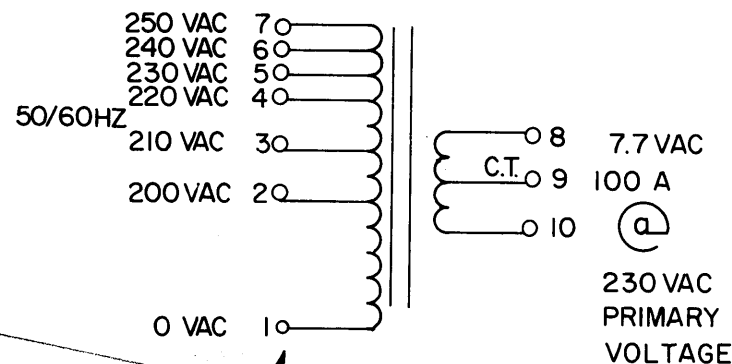
E.M.N. NO.	DRAFT	CHKD	ZONE	LTR	DESCRIPTION	DATE	APPROVED
	GE	ES		Ø	ORIGINAL RELEASE	4/5/72	F.B.



ELECT. SPECS:
 PRIMARY WINDING
 VOLTAGE : 200-250 VAC.
 FREQUENCY : 50-60 HZ
 PHASE : SINGLE
 SECONDARY WINDING
 VOLTAGE : 7.7 VAC C.T. @ 230 V PRI.
 CURRENT : 100 A
 INSULATION TEST VOLTAGE : 1500 VRMS

MECH. SPECS:
 CASE : OPEN FRAME
 FINISH : BLACK MATT EXCEPT TERMINALS
 DIMENSIONS : SHOWN PICTORALLY
 TERMINALS : PRIMARY 10-32 THREADED STUD
 SECONDARY : 8+10, COPPER BAR WITH 3/16 DIA. HOLES
 9, SOLDER TYPE LUG

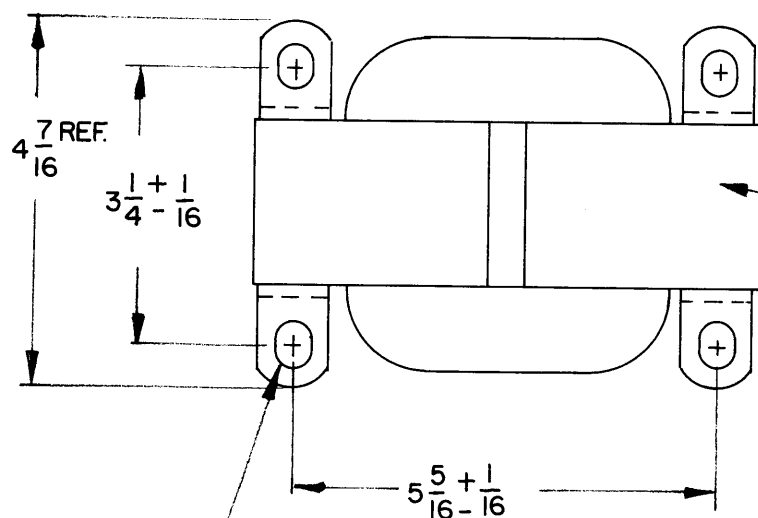
THE TECHNICAL MATERIEL CORP
 MAMARONECK NEW YORK
 TF 421



TO BE PLACED IN THIS AREA

STAMPING:
 ACCORDING TO TMC SPEC 5727 WHITE GOTHIC LETTERING & LINE WORK.
 SCHEMATIC TO BE PLACED AS SHOWN

NOTE:
 MANUFACTURED IN ACCORDANCE WITH MIL-SPEC. T-27-A, EXCEPT THAT MIL-SPEC. T-27-A SHALL NOT APPEAR ON THE CASE & QUALIFICATION TESTING NOT REQUIRED



9/32 X 9/16 SLOT
 (4 REQ)

REPLACES TF 383

QTY / UNIT	MODEL USED ON	ASS'Y NO.
1	HFLA-10K	AP148
APPLICATION		
	CODE	5401-30

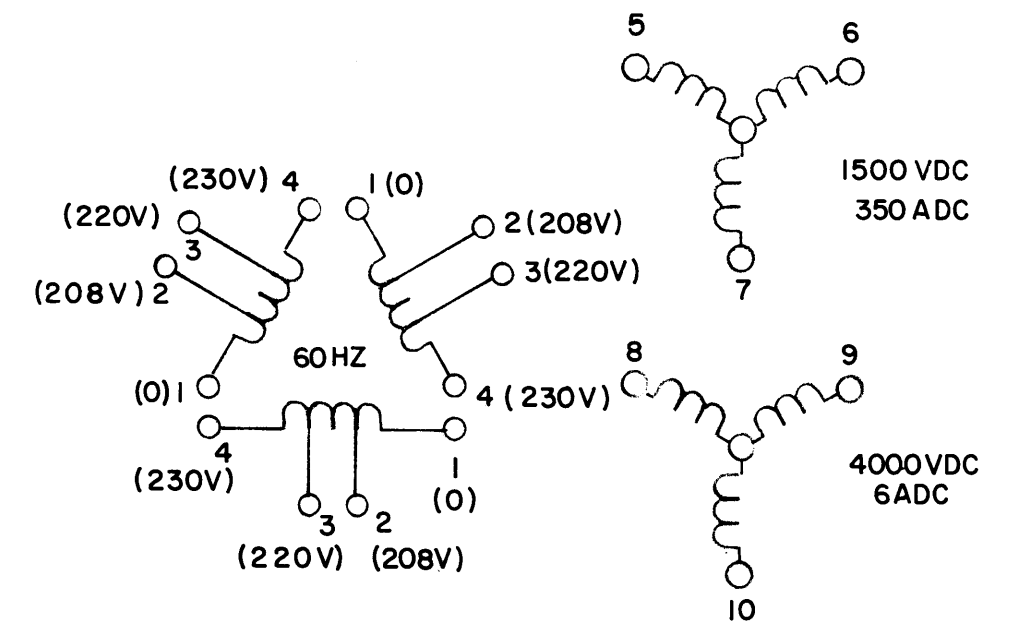
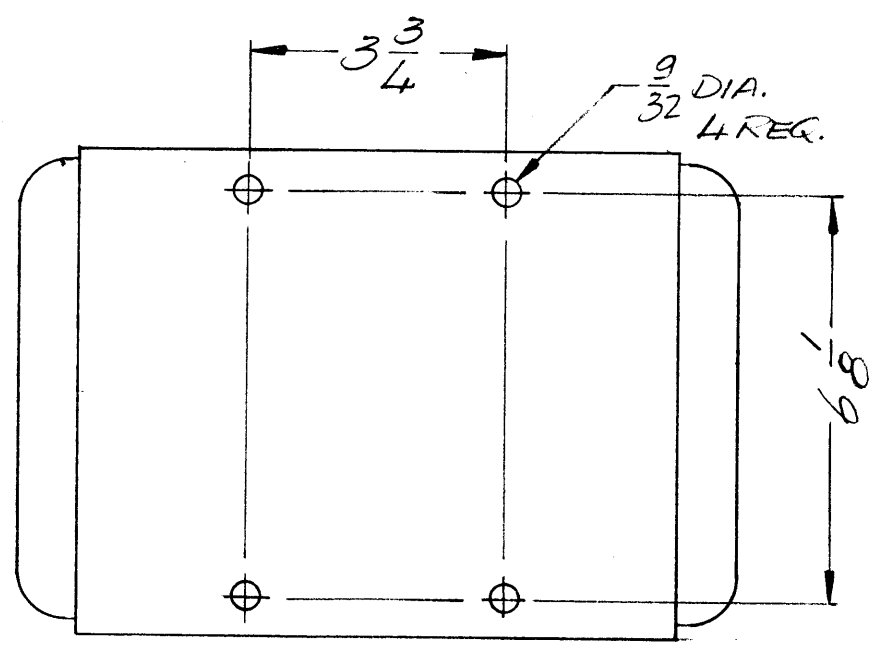
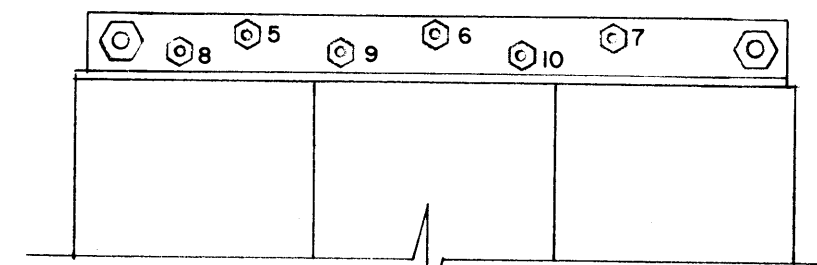
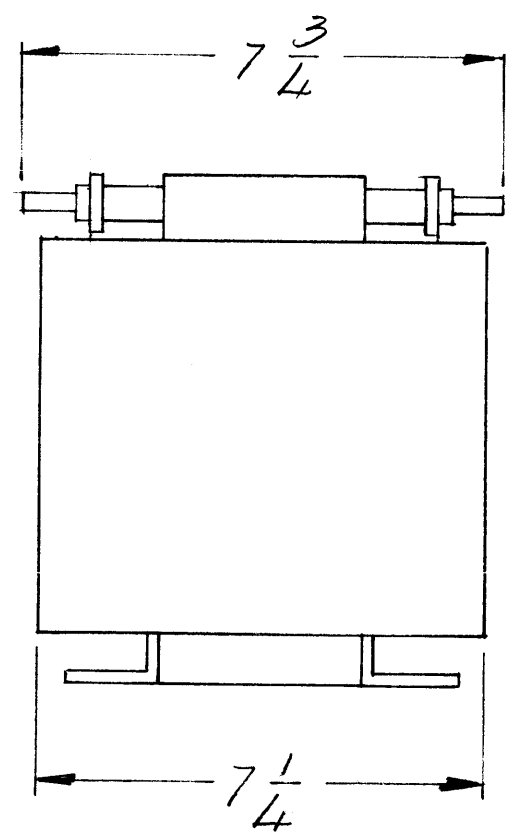
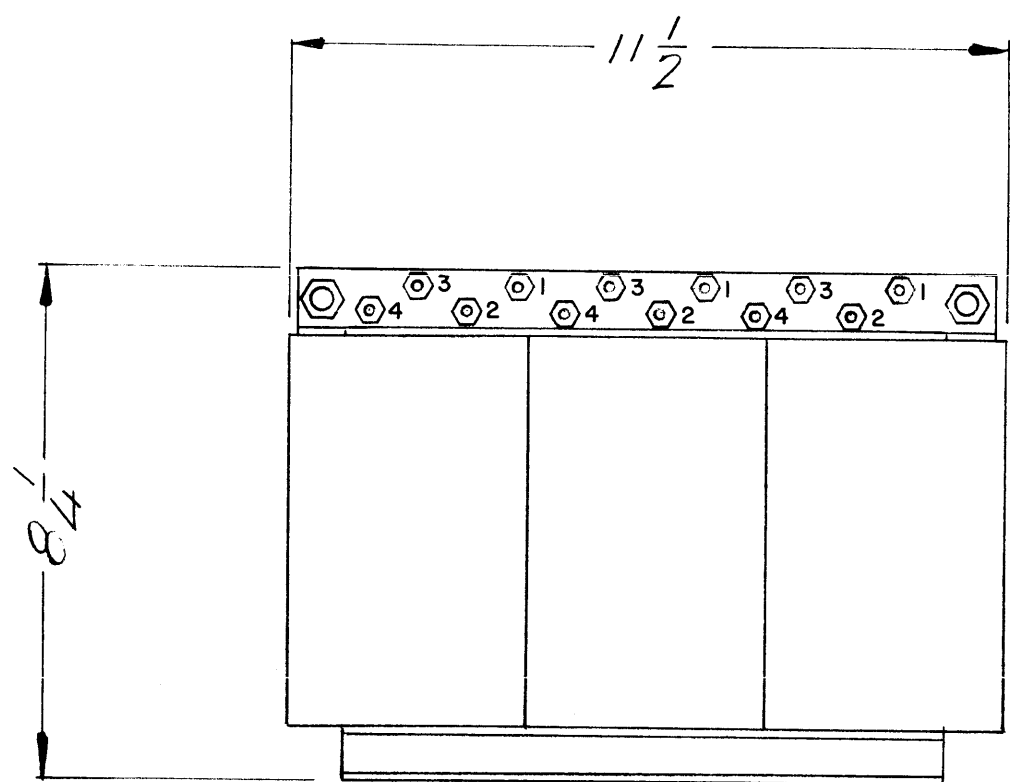
NOTICE TO PERSONS RECEIVING THIS DRAWING
 THE TECHNICAL MATERIEL CORPORATION claims proprietary right in the material disclosed hereon. This drawing is issued in confidence for engineering information only and may not be reproduced or used to manufacture anything shown hereon without permission from THE TECHNICAL MATERIEL CORPORATION to the user. This drawing is loaned for mutual assistance and is subject to recall at any time.

REQ'D	ITEM	PART NUMBER	DESCRIPTION	SYM.
-------	------	-------------	-------------	------

LIST OF MATERIAL

UNLESS OTHERWISE SPECIFIED DIMENSIONS ARE IN INCHES AND INCLUDE CHEMICALLY APPLIED OR PLATED FINISHES	FINAL APPROVAL	DATE	THE TECHNICAL MATERIEL CORP. MAMARONECK, NEW YORK		
	MECH. DES.	DATE			
	ELECT. DES.	DATE			
	CHECKED	DATE			
MATERIAL	DRAWN	DATE	TRANSFORMER, FILAMENT		
FINISH					
SCALE NTS		SIZE	CODE IDENT. NO.	DWG NO.	ISSUE
		B	82679	TF 421	Ø
SHEET 1				OF 1	

REVISIONS							
E.M.N. NO.	DRAFT	CHKD	ZONE	LTR	DESCRIPTION	DATE	APPROVED
	CS			⊕	ORIGINAL Release	7-27-73	



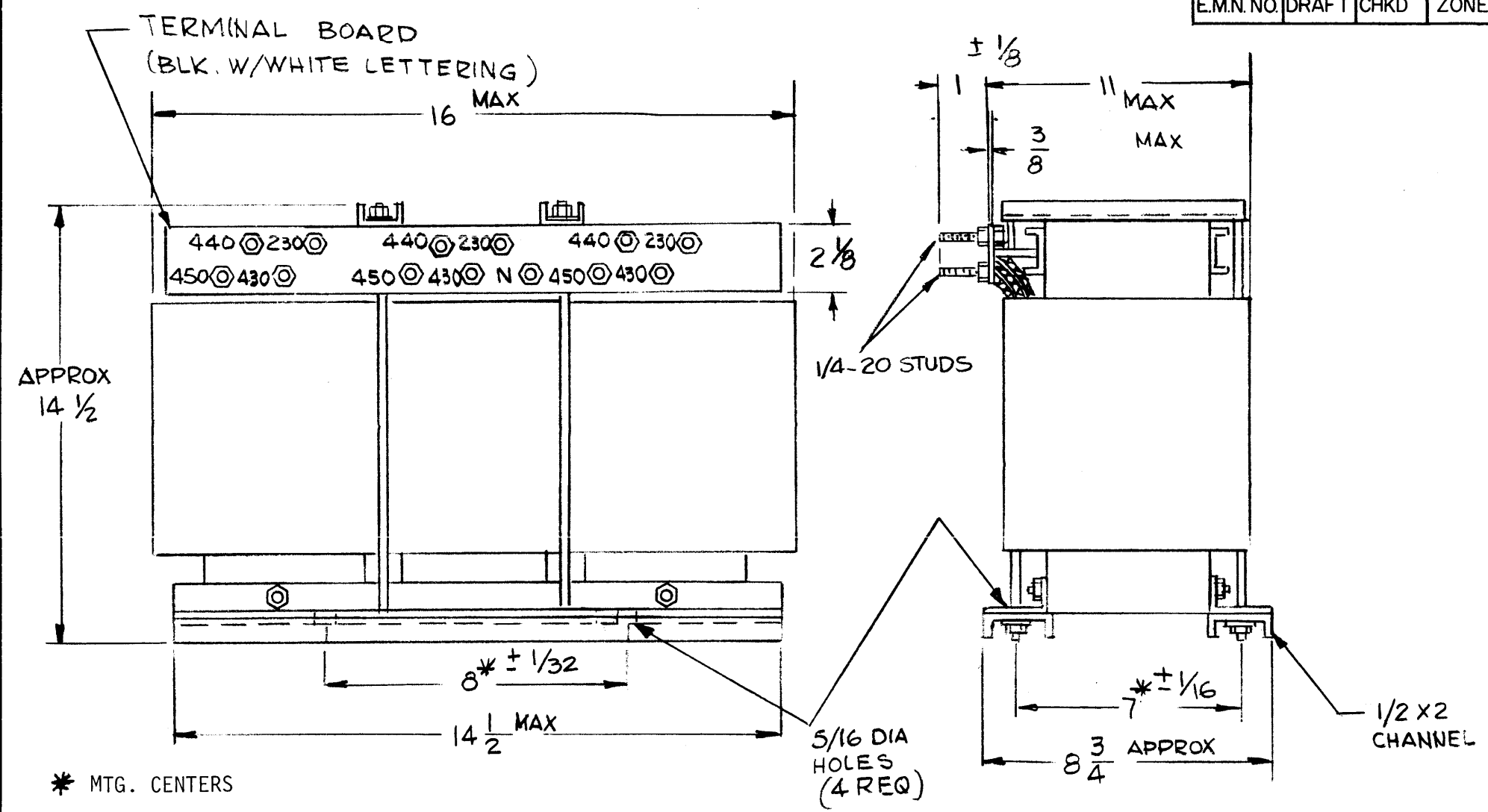
1	AP154	
QTY / UNIT	MODEL USED ON	ASS'Y NO.
APPLICATION		
MFG. P/N 10507	CODE	SL401-30

NOTICE TO PERSONS RECEIVING THIS DRAWING
 THE TECHNICAL MATERIEL CORPORATION claims proprietary right in the material disclosed hereon. This drawing is issued in confidence for engineering information only and may not be reproduced or used to manufacture anything shown hereon without permission from THE TECHNICAL MATERIEL CORPORATION to the user. This drawing is loaned for mutual assistance and is subject to recall at any time.

UNLESS OTHERWISE SPECIFIED DIMENSIONS ARE IN INCHES AND INCLUDE CHEMICALLY APPLIED OR PLATED FINISHES	
DECIMALS .X ± .05 .XX ± .01 .XXX ± .005	FRACTIONS 1/64 ANGLES 0° .30'
MATERIAL	
FINISH	

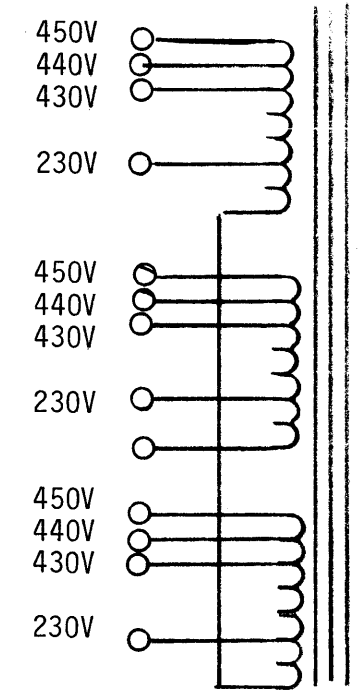
REQ'D	ITEM	PART NUMBER	DESCRIPTION	SYM.
F. BUDETTI LIST OF MATERIAL				
THE TECHNICAL MATERIEL CORP. MAMARONECK, NEW YORK				
XFMR 3 PHASE				
SIZE	CODE IDENT. NO.	DWG NO.	ISSUE	
B	82679	TF 426	⊕	
SCALE NTS			SHEET	OF

REVISIONS							
E.M.N. NO.	DRAFT	CHKD	ZONE	LTR	DESCRIPTION	DATE	APPROVED



THE TECHNICAL MATERIEL CORPORATION
MAMARONECK NEW YORK

TF435



SCHEMATIC TO BE STAMPED ON XMTR, IN WHITE

SPECIFICATIONS

WINDING DATA:

- INPUT: 430, 440, 450 VAC, 50/60/HZ, 3PH
- OUTPUT VOLTAGE 230 VAC, NEUTRAL
- OUTPUT CURRENT RATING: 100 AMP, RMS
- BREAKDOWN TEST VOLTAGE: 2000 VAC
- CASE: OPEN FRAME
- FINISH: S115 SMOOTH GREY ENAMEL EXCEPT TERMINAL BOARDS & TERMINALS
- TERMINAL BOARD 3/8" THICK

NOTE:
MFG. IN ACCORDANCE WITH MIL-T-27A excpt. THAT MIL-T-27A SHALL NOT APPEAR ON CASE AND QUALIFICATIONS TESTING IS NOT REQUIRED.

1	BCT 10K	
1	HFL 10K	
QTY / UNIT	MODEL USED ON	ASS'Y NO.
APPLICATION		
	CODE	
<p>NOTICE TO PERSONS RECEIVING THIS DRAWING THE TECHNICAL MATERIEL CORPORATION claims proprietary right in the material disclosed hereon. This drawing is issued in confidence for engineering information only and may not be reproduced or used to manufacture anything shown hereon without permission from THE TECHNICAL MATERIEL CORPORATION to the user. This drawing is loaned for mutual assistance and is subject to recall at any time.</p>		
MATERIAL		
FINISH		

UNLESS OTHERWISE SPECIFIED DIMENSIONS ARE IN INCHES AND INCLUDE CHEMICALLY APPLIED OR PLATED FINISHES

DECIMALS .X ± .05 .XX ± .01 .XXX ± .005
FRACTIONS 1/64 ANGLES 0°-30'

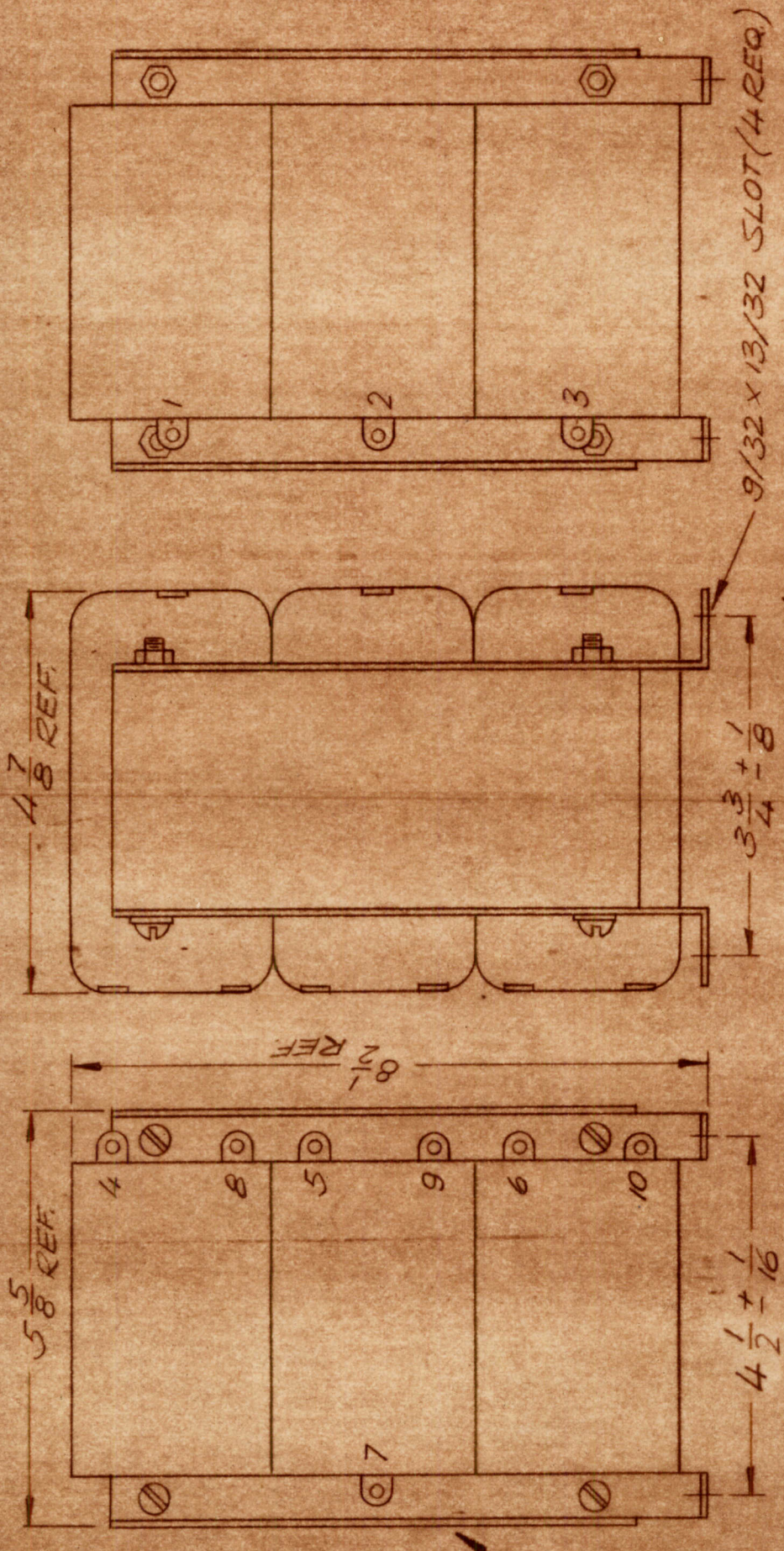
REQ'D	ITEM	PART NUMBER	DESCRIPTION	SYM.
LIST OF MATERIAL				
<p>FINAL APPROVAL <i>[Signature]</i> DATE 8-76 MECH. DES. DATE ELECT. DES. DATE CHECKED DATE DRAWN GDL DATE 10-7-76</p>				
<p>THE TECHNICAL MATERIEL CORP. MAMARONECK, NEW YORK</p> <p><i>AUTO TRANSFORMER</i></p>				
SIZE	CODE IDENT. NO.	DWG NO.	ISSUE	
B	82679	TF435		
SCALE	SHEET		OF	

ZONE	LTR	DESCRIPTION	DATE	E.M.N. NO	DRAFT	CHKD	APPD

ELECT. SPECS
 PRIMARY WINDING
 VOLTAGE: 380 VAC
 FREQUENCY: 50/60 HZ
 PHASE: 3
 SECONDARY WINDING #1
 VOLTAGE: 1590 VAC LINE TO LINE
 920 VAC LINE TO NEUTRAL } NO LOAD
 CURRENT: .3 ADC
 SECONDARY WINDING #2
 VOLTAGE: 1590 VAC LINE TO LINE
 CURRENT: .1 ADC
 INSULATION TEST: PRIMARY 1500 VRMS
 SECONDARY 4500 VRMS

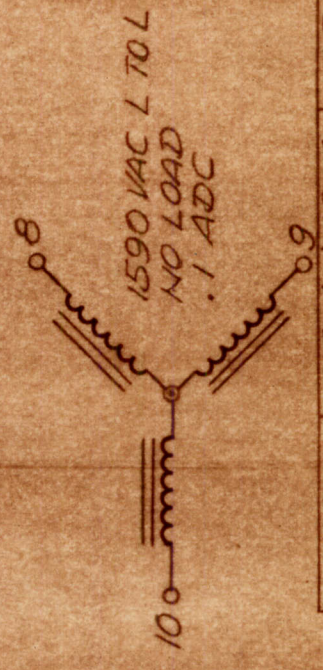
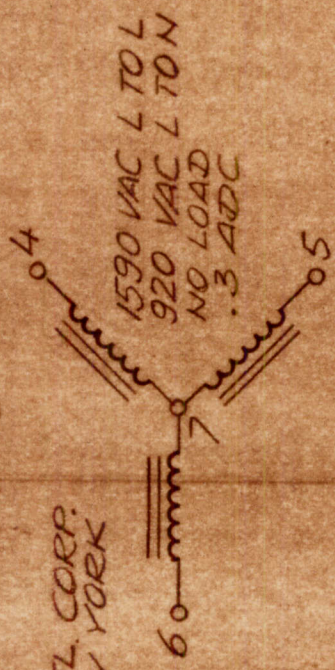
MECH. SPECS
 CASE: OPEN FRAME
 FINISH: BLACK MATT EXCEPT TERMINALS
 DIMENSIONS: SHOWN PICTORIALY
 TERMINALS: SOLDER LUG
 STAMPING:
 ACCORDING TO TMC SPEC. S 727 WHITE
 GOTHIC LETTERING AND LINE WORK.
 SCHEMATIC TO BE PLACED AS SHOWN.

NOTE:
 MANUFACTURED IN ACCORDANCE WITH MIL - SPEC. T-27-A
 EXCEPT THAT MIL - SPEC. T-27-A SHALL NOT APPEAR ON
 THE CASE AND QUALIFICATION TESTING IS NOT REQUIRED.



THE TECHNICAL MATERIEL CORP.
 MAMARONECK
 TF-386

380 VAC
 50/60 HZ
 3Ø



REQ'D ITEM	PART NUMBER	DESCRIPTION	SYM.
F. BUDETTI LIST OF MATERIAL			
FINAL APPROVAL	DATE	THE TECHNICAL MATERIEL CORP.	ISSUE
MECH. DES.	DATE	MAMARONECK, NEW YORK	
ELECT. DES.	DATE	TRANSFORMER, POWER	
CHECKED	DATE	SIZE B	CODE IDENT. NO. 82679
DRAWN	DATE	SCALE	DWG NO. TF 438
			SHEET 1 OF 1

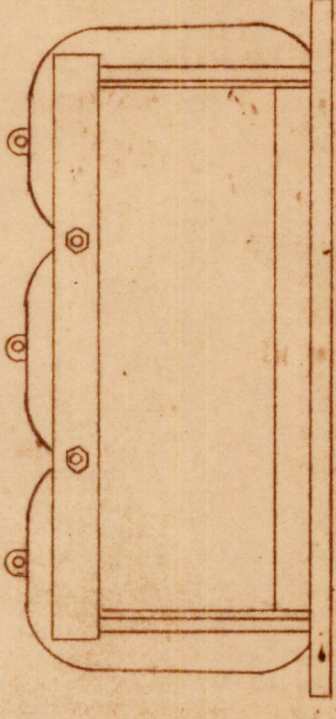
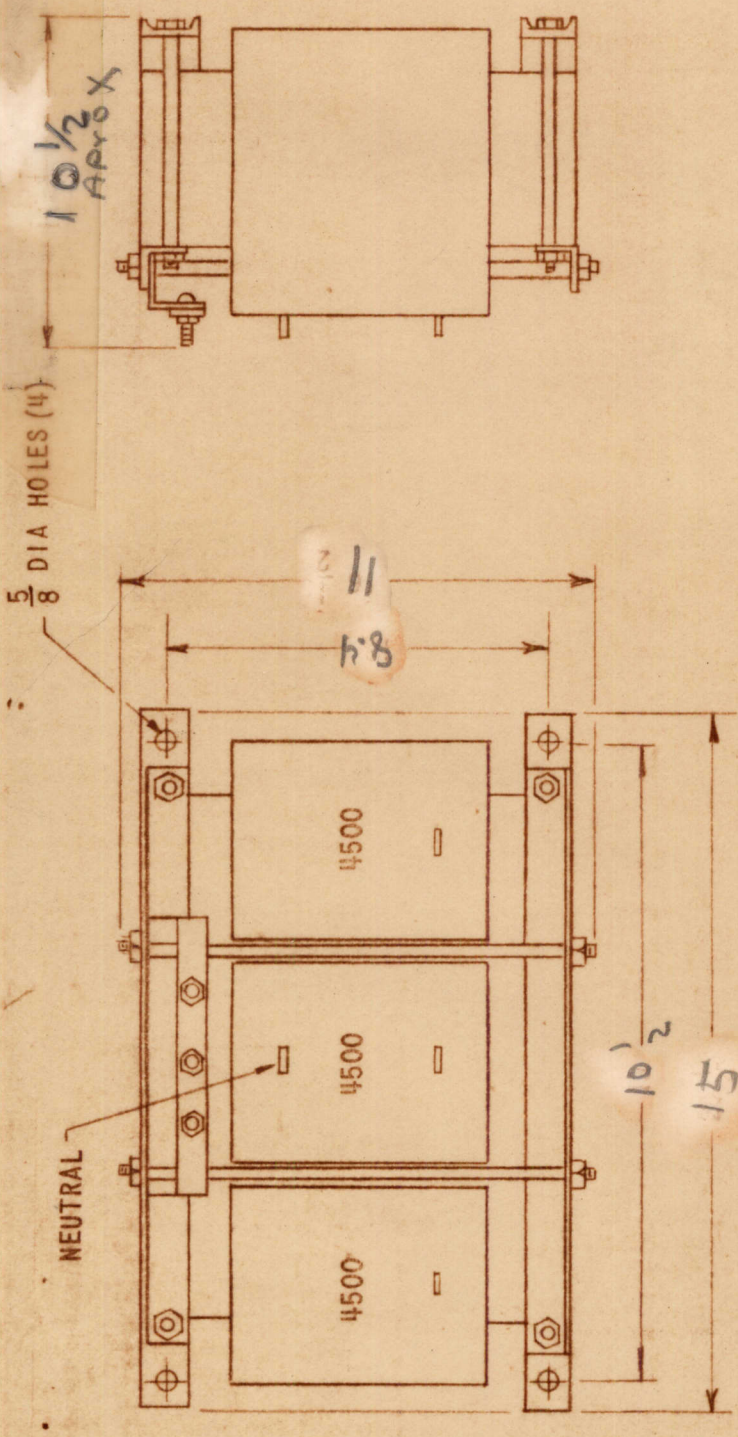
QTY / UNIT	MODEL USED ON	ASSY NO.
1	HFLC 110K	AP 148
1	FALA 10K	AP 148

APPLICATION CODE S401-30(8739)

NOTICE TO PERSONS RECEIVING THIS DRAWING
 THE TECHNICAL MATERIEL CORPORATION claims proprietary right in the material disclosed hereon. This drawing is issued in confidence for engineering information only and may not be reproduced or used to manufacture anything shown hereon without permission from THE TECHNICAL MATERIEL CORPORATION to the user. This drawing is loaned for mutual assistance and is subject to recall at any time.

REVISIONS

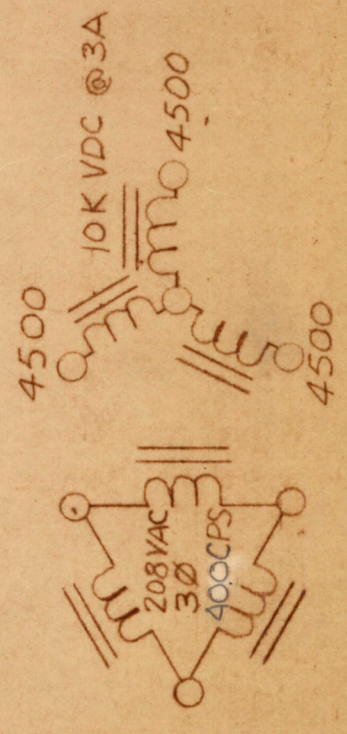
ZONE	LTR	DESCRIPTION	DATE	E.M.N.O.	DRAFT	CHKD	APPD
	X	EXPERIMENTAL RELEASE	8/28/58		C.V.		
	Ø	ORIG ORIGINAL RELEASE	9-20-58		MC		FB



TO BE MARKED ON TOP OF TRANSFORMER

THE TECHNICAL MATERIEL CORPORATION
MAMARONECK

TF 440



SPECIFICATIONS

ELECTRICAL:
 PRIMARY: 208 VAC 3Ø 400 CPS
 INSULATION TEST VOLTAGE: 15 KV
 SECONDARY: 10 K VDC @ 1/4 FROM 3Ø FWB

MECHANICAL:

CASE: OPEN FRAME
 FINISH: TMC SPEC S115 SMOOTH GRAY ENAMEL
 DIMENSIONS: SHOWN PICTORIALY
 TERMINALS:
 PRIMARY: LUGS
 SECONDARY: SOLDER TERM

MARKING:

- A. SCHEMATIC AND TMC IDENTIFICATION TO BE MARKED ON TOP OF TRANSFORMER.
- B. MARKING TO BE AS PER TMC S727.
- C. LETTER AND NUMERALS TO BE GOTHIC ALL MARKING TO BE IN BLACK.

NOTE: MANUFACTURED IN ACCORDANCE WITH MIL-SPEC T-27-A EXCEPT THAT MIL-SPEC T-27-A SHALL NOT APPEAR ON CASE AND QUALIFICATION TESTING NOT REQUIRED.

REQ'D ITEM	PART NUMBER	DESCRIPTION	SYM.
LIST OF MATERIAL			
THE TECHNICAL MATERIEL CORP. MAMARONECK, NEW YORK			
TRANSFORMER, POWER STEP-UP			
SIZE	CODE IDENT. NO.	DWG NO.	ISSUE
B	82679	TF 440	Ø
SCALE		SHEET	OF
		1	1

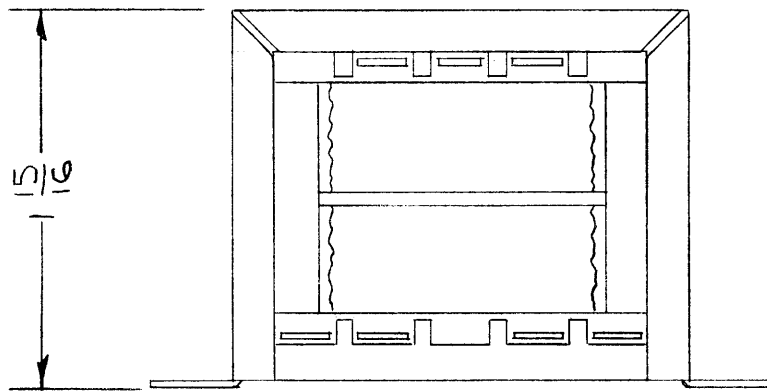
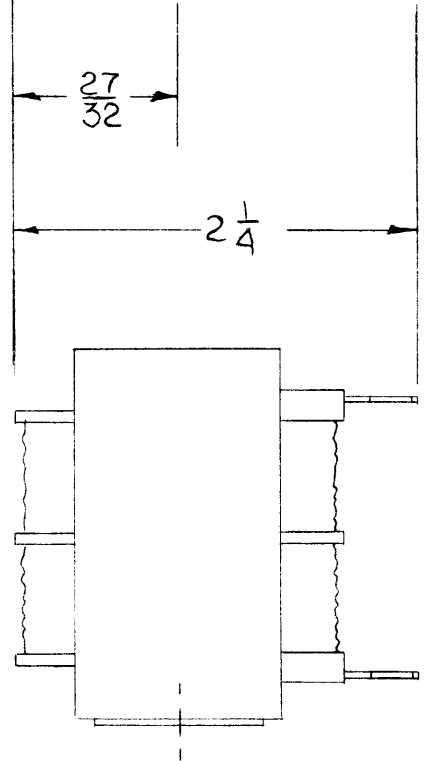
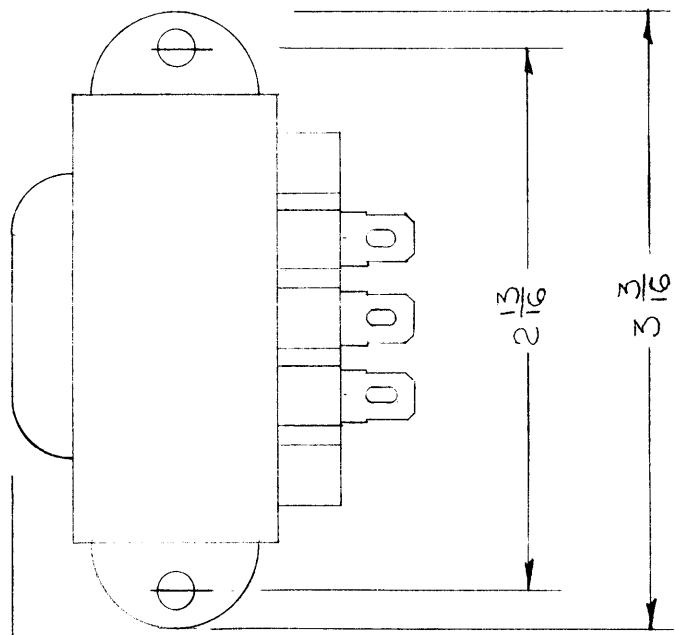
UNLESS OTHERWISE SPECIFIED DIMENSIONS ARE IN INCHES AND INCLUDE CHEMICALLY APPLIED OR PLATED FINISHES	FRACTIONS 1/64
DECIMALS X ± .05	TOLS. ANGLES 0°-30'
.XX ± .01	
XXX ± .005	
MATERIAL	
FINISH	

QTY / UNIT	MODEL USED ON	ASSY NO.
1	BCT-10KA	
APPLICATION		
CODE S401-307900		

NOTICE TO PERSONS RECEIVING THIS DRAWING
 THE TECHNICAL MATERIEL CORPORATION claims proprietary right in the material disclosed hereon. This drawing is issued in confidence for engineering information only and may not be reproduced or used to manufacture anything shown hereon without permission from THE TECHNICAL MATERIEL CORPORATION to the user. This drawing is loaned for mutual assistance and is subject to recall at any time.

REVISIONS							
E.M.N. NO.	DRAFT	CHKD	ZONE	LTR	DESCRIPTION	DATE	APPROVED
4	PH	WJB		Ø	ORIGINAL RELEASE FOR PRODUCTION	6-5-78	*

NOTE:
ALL DIMENSIONS ARE FOR
REFERENCE ONLY



SPECIFICATIONS

PRIMARY VOLTAGE: 115 / 230
SECONDARY VOLTAGE: 24V C.T.
SECONDARY CURRENT: 1.25 amp.

MFG. P/N: DP 241-6-24

REQ'D	ITEM	PART NUMBER	DESCRIPTION	SYM.
LIST OF MATERIAL				
THE TECHNICAL MATERIEL CORP. MAMARONECK, NEW YORK				
TRANSFORMER, POWER				
FINAL APPROVAL		DATE	ISSUE	
* <i>WJB</i>		6/2/78		
MECH. DES.		DATE		
ELECT. DES.		DATE		
CHECKED		DATE		
DRAWN		DATE		
PH		12-1-77		
SIZE	CODE IDENT. NO.	DWG NO.	ISSUE	
B	82679	TF 441		
SCALE FULL			SHEET OF	

1	CHG -R		UNLESS OTHERWISE SPECIFIED DIMENSIONS ARE IN INCHES AND INCLUDE CHEMICALLY APPLIED OR PLATED FINISHES	
1	MMX()-2B			
QTY / UNIT	MODEL USED ON	ASS'Y NO.	DECIMALS .X ± .05 .XX ± .01 .XXX ± .005	FRACTIONS 1/64 ANGLES 0° -30'
APPLICATION				
S401-455	CODE		MATERIAL	
NOTICE TO PERSONS RECEIVING THIS DRAWING THE TECHNICAL MATERIEL CORPORATION claims proprietary right in the material disclosed hereon. This drawing is issued in confidence for engineering information only and may not be reproduced or used to manufacture anything shown hereon without permission from THE TECHNICAL MATERIEL CORPORATION to the user. This drawing is loaned for mutual assistance and is subject to recall at any time.				
			FINISH	

5

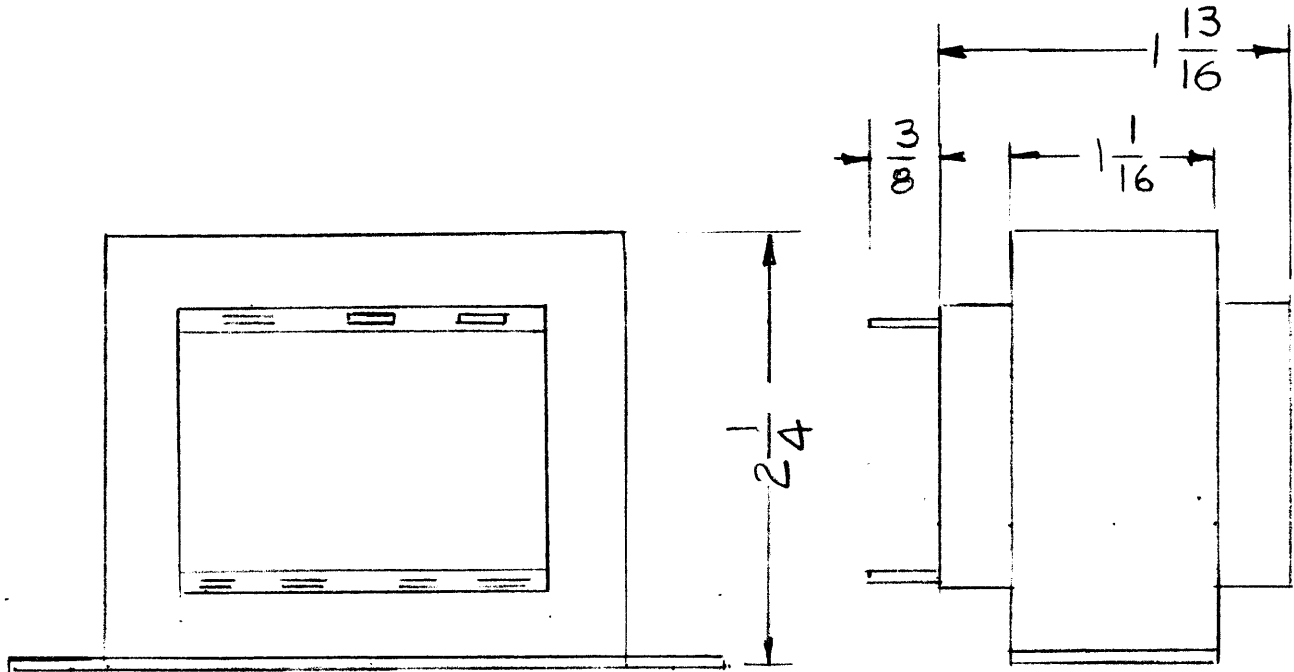
4

3

2

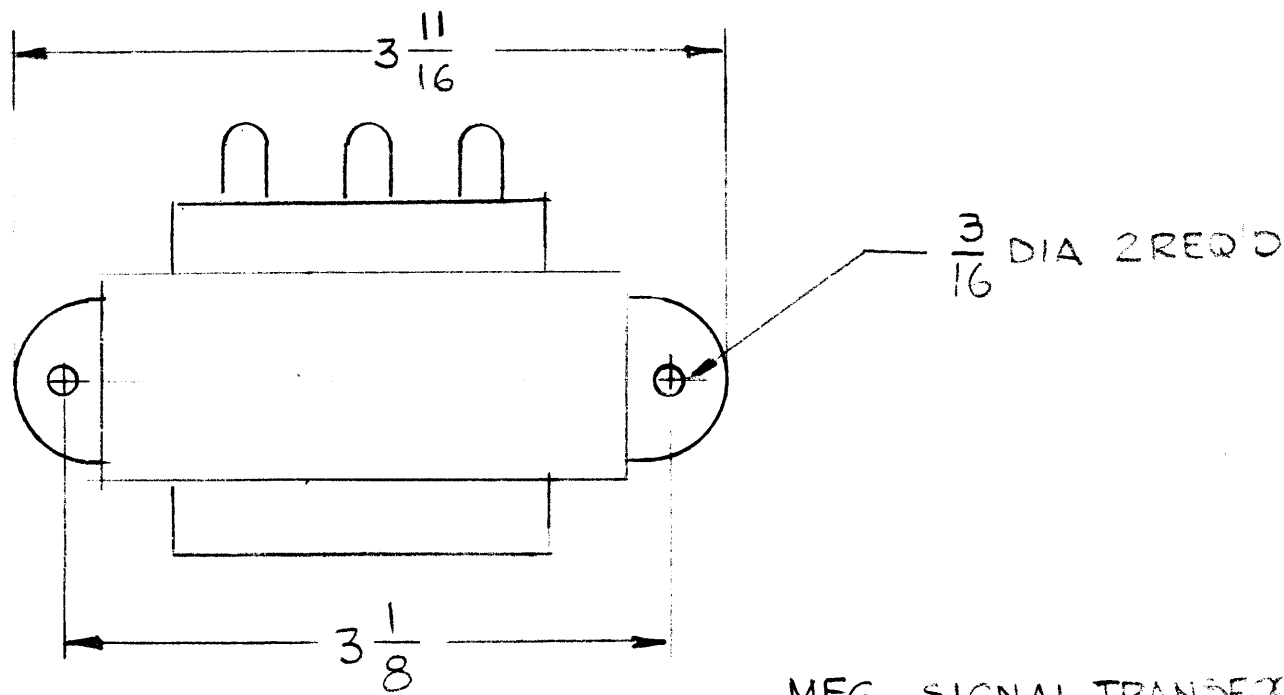
1

REVISIONS						
E.M.N. NO.	DRAFT	CHKD	ZONE	LTR	DESCRIPTION	DATE
		dw		Ø	ORIGINAL RELEASE	5-8-80

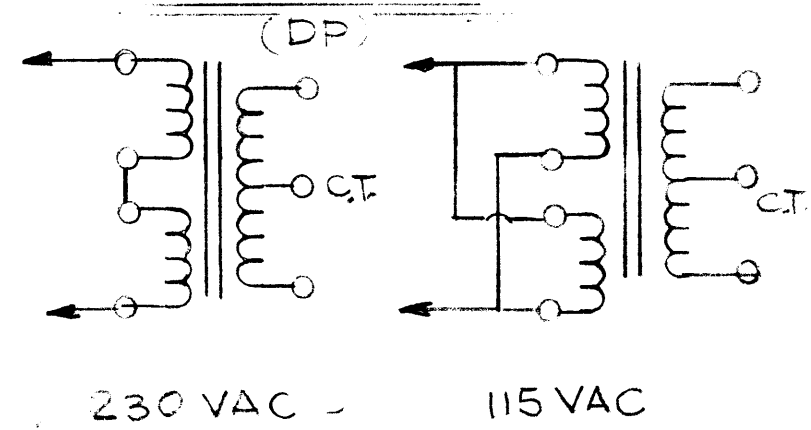


SPECIFICATIONS

PRIMARY : 115/230 VAC
SECONDARY: 10 V C.T. & 1.5A



SCHEMATIC



MFG. SIGNAL TRANSFORMER CO
CAT-G3 P/NO DP 241-7-10

REQ'D	ITEM	PART NUMBER	DESCRIPTION	SYM.
LIST OF MATERIAL				

QTY / UNIT	DPC-10	ASS'Y NO.
APPLICATION		
CODE		

UNLESS OTHERWISE SPECIFIED DIMENSIONS ARE IN INCHES AND INCLUDE CHEMICALLY APPLIED OR PLATED FINISHES		FINAL APPROVAL <i>G.B.</i>	DATE <i>5-7-80</i>
DECIMALS .X ± .05 .XX ± .01 .XXX ± .005	FRACTIONS 1/64 ANGLES 0° -30'	ELECT. DES.	DATE
MATERIAL		CHECKED	DATE
FINISH		DRAWN <i>G.D.L.</i>	DATE <i>5-7-80</i>

THE TECHNICAL MATERIEL CORP. MAMARONECK, NEW YORK			
TRANSFORMER, POWER			
SIZE B	CODE IDENT. NO. 82679	DWG NO. TF 442	ISSUE Ø
SCALE 1:1	SHEET		OF

NOTICE TO PERSONS RECEIVING THIS DRAWING
THE TECHNICAL MATERIEL CORPORATION claims proprietary right in the material disclosed herein. This drawing is issued in confidence for engineering information only and may not be reproduced or used to manufacture anything shown herein without permission from THE TECHNICAL MATERIEL CORPORATION to the user. This drawing is loaned for mutual assistance and is subject to recall at any time.

5

4

3

2

1

5

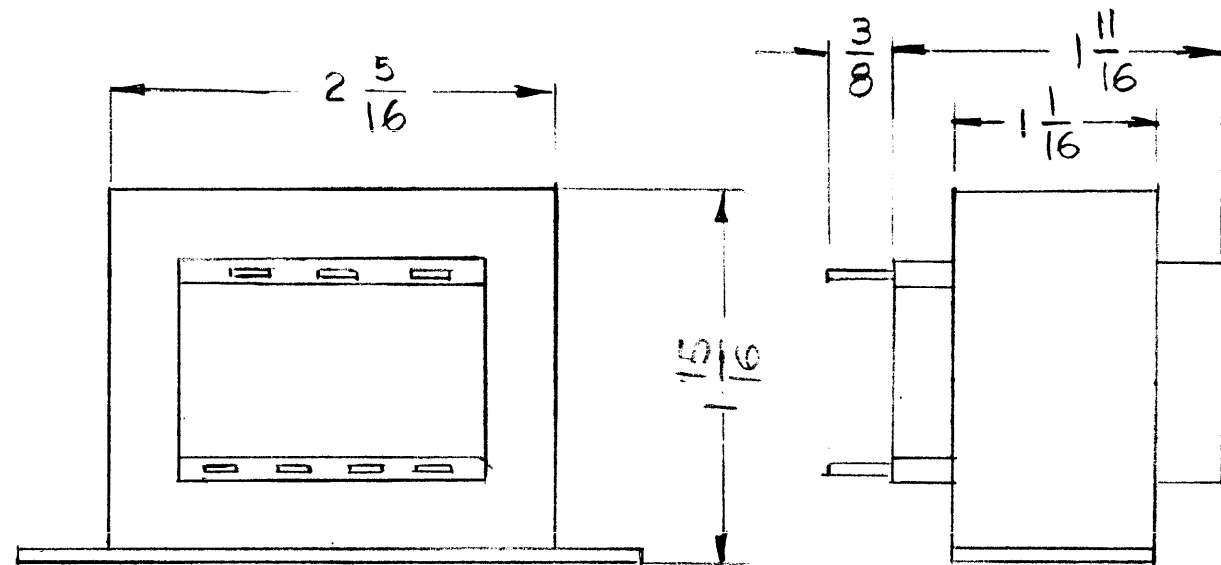
4

3

2

1

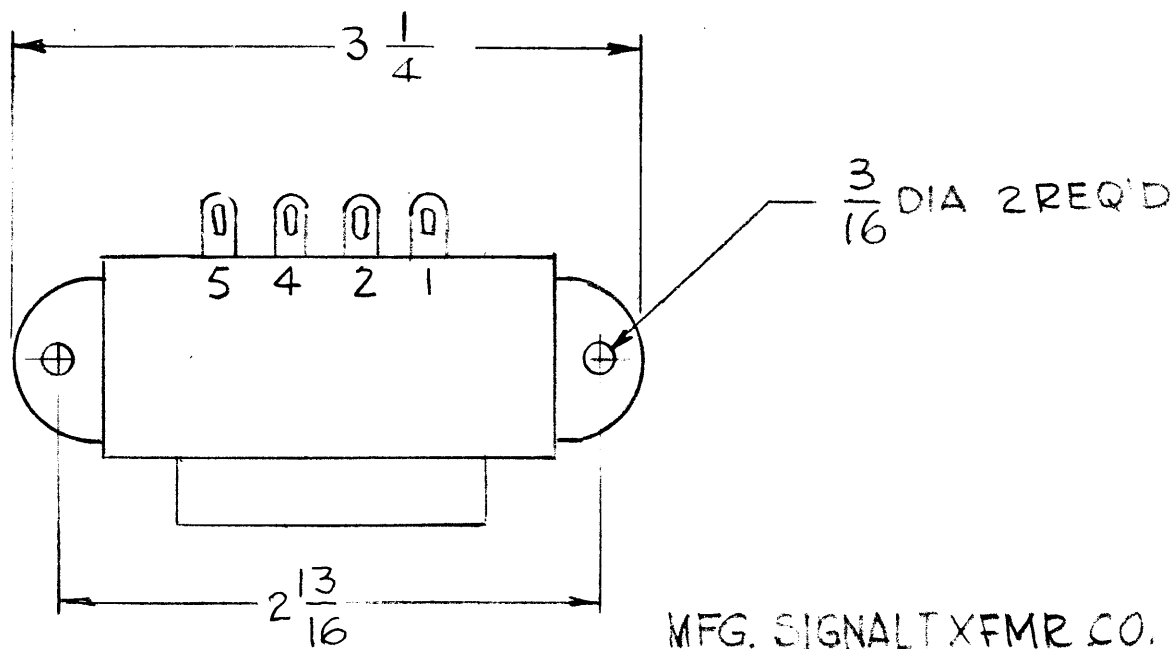
REVISIONS						
E.M.N. NO.	DRAFT	CHKD	ZONE	LTR	DESCRIPTION	DATE
		dw		∅	ORIGINAL RELEASE	5-8-80



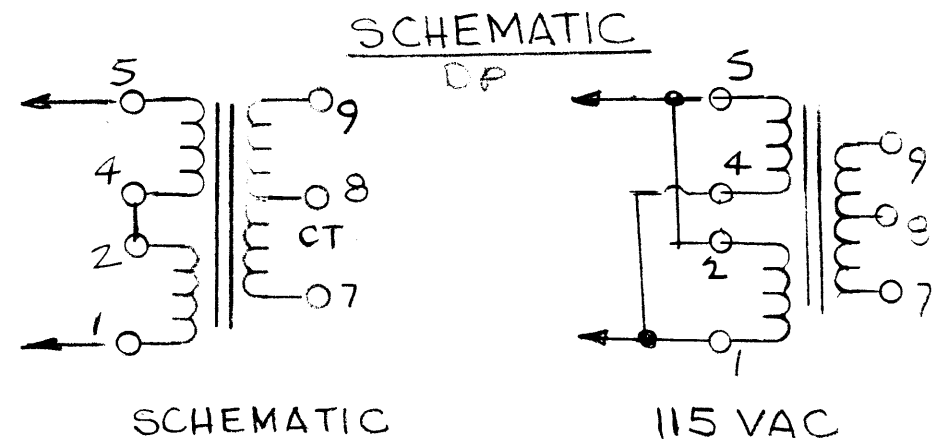
SPECIFICATIONS:

PRIMARY: 115/230 VAC

SECONDARY: RMS RATING 28V C.T & 1.1 A



MFG. SIGNALT XFMR CO. CATAL-G3
P/NO. DP 241-6-28



REQ'D	ITEM	PART NUMBER	DESCRIPTION	SYM.
LIST OF MATERIAL				
THE TECHNICAL MATERIEL CORP. MAMARONECK, NEW YORK				
TRANSFOR. POWER				
FINAL APPROVAL <i>G.D.L.</i>		DATE 5-6-80	THE TECHNICAL MATERIEL CORP.	
MECH. DES.		DATE	MAMARONECK, NEW YORK	
ELECT. DES.		DATE	TRANSFOR. POWER	
CHECKED		DATE		
DRAWN <i>G.D.L.</i>		DATE 5-6-80	SIZE B	CODE IDENT. NO. 82679
			DWG NO. TF 443	ISSUE ∅
SCALE 1:1			SHEET	OF

QTY / UNIT	MODEL USED ON	ASS'Y NO.	DECIMALS .X ± .05 .XX ± .01 .XXX ± .005	FRACTIONS 1/64 ANGLES 0° .30'	TOLS.
1	DPC-10				
1	AMC-21C				
APPLICATION					
CODE					
NOTICE TO PERSONS RECEIVING THIS DRAWING THE TECHNICAL MATERIEL CORPORATION claims proprietary right in the material disclosed herein. This drawing is issued in confidence for engineering information only and may not be reproduced or used to manufacture anything shown herein without permission from THE TECHNICAL MATERIEL CORPORATION to the user. This drawing is loaned for mutual assistance and is subject to recall at any time.					
FINISH					

5

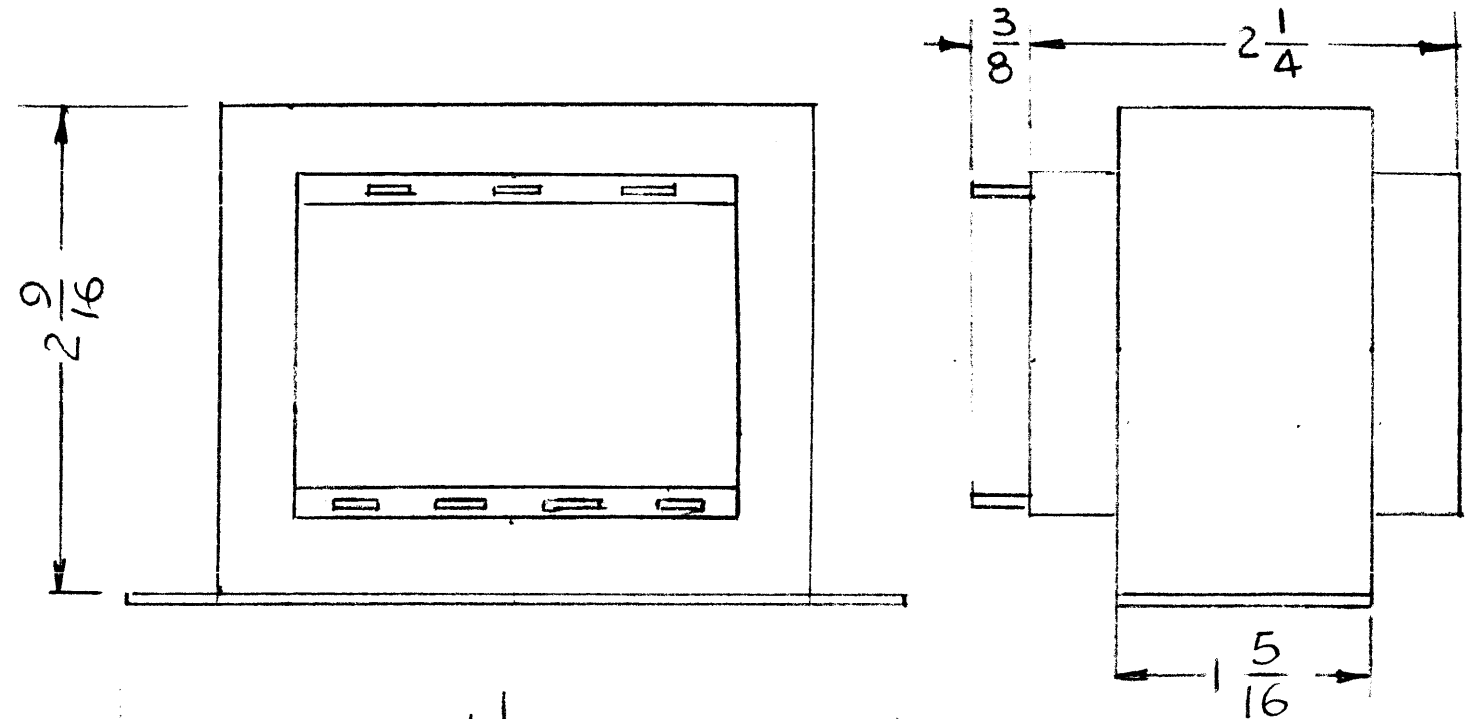
4

3

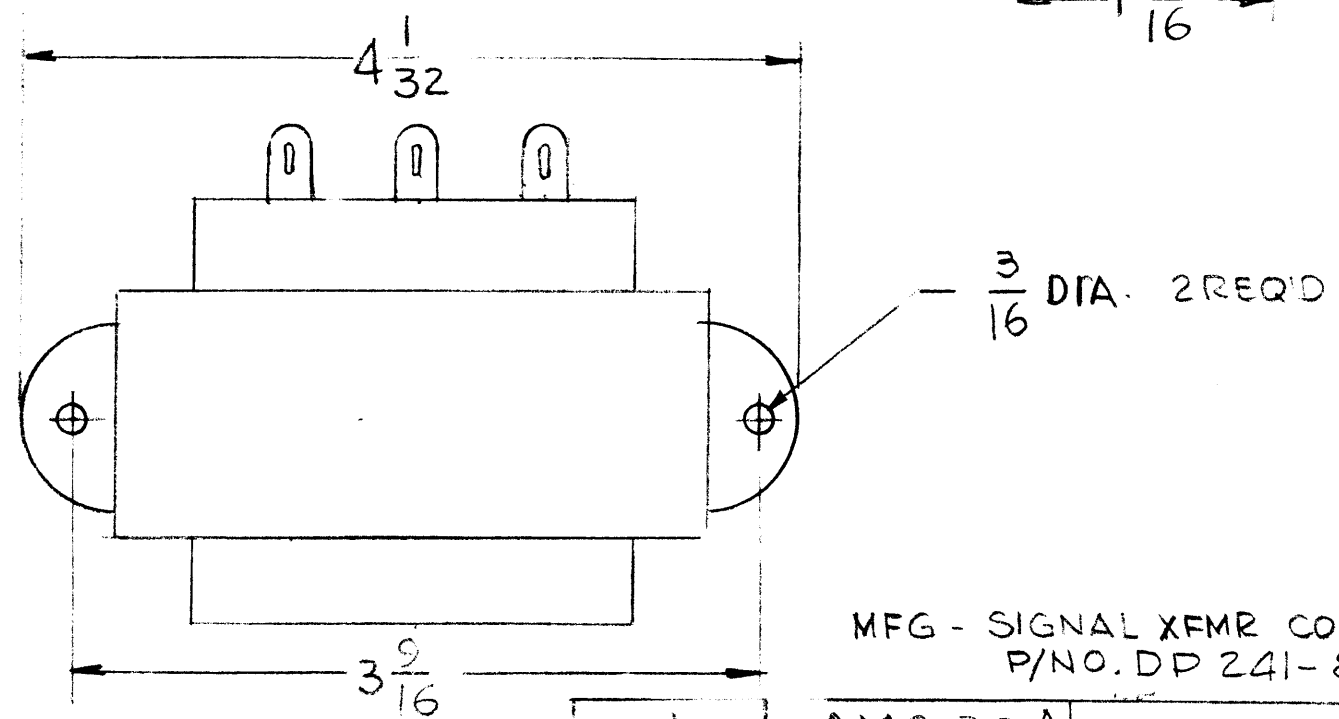
2

1

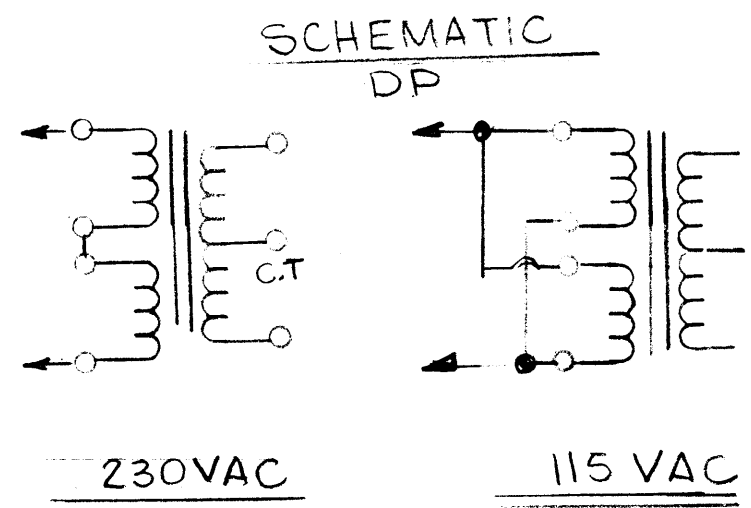
REVISIONS							
E.M.N. NO.	DRAFT	CHKD	ZONE	LTR	DESCRIPTION	DATE	APPROVED
21801	GDL	dw		A	CHANGE FROM A'S SIZE DWG TO B'S SIZE PICTORIAL ADDED	5-7-80	



SPECIFICATIONS:
 PRIMARY: 115/230 VAC
 SECONDARY: 28V C.T. @ 3.6A



MFG - SIGNAL XFMR CO. CAT. G3
 P/NO. DP 241-8-28



1	AMC-32A		UNLESS OTHERWISE SPECIFIED DIMENSIONS ARE IN INCHES AND INCLUDE CHEMICALLY APPLIED OR PLATED FINISHES
1	SME-5		
QTY / UNIT	MODEL USED ON	ASS'Y NO.	DECIMALS .X ± .05 .XX ± .01 .XXX ± .005
APPLICATION			FRACTIONS 1/64 ANGLES 0° -30'
CODE			MATERIAL
NOTICE TO PERSONS RECEIVING THIS DRAWING THE TECHNICAL MATERIEL CORPORATION claims proprietary right in the material disclosed hereon. This drawing is issued in confidence for engineering information only and may not be reproduced or used to manufacture anything shown hereon without permission from THE TECHNICAL MATERIEL CORPORATION to the user. This drawing is loaned for mutual assistance and is subject to recall at any time.			FINISH

REQ'D	ITEM	PART NUMBER	DESCRIPTION	SYM.
LIST OF MATERIAL				
FINAL APPROVAL: <i>SOR</i> DATE: 5/9/80				
MECH. DES. DATE				
ELECT. DES. DATE				
CHECKED DATE				
DRAWN: GDL DATE: 5-6-80				
SIZE	CODE IDENT. NO.	DWG NO.	ISSUE	
B	82679	TF 445	A	
SCALE 1:1			SHEET	OF

THE TECHNICAL MATERIEL CORP.
 MAMARONECK, NEW YORK

TRANSFORMER, PWR

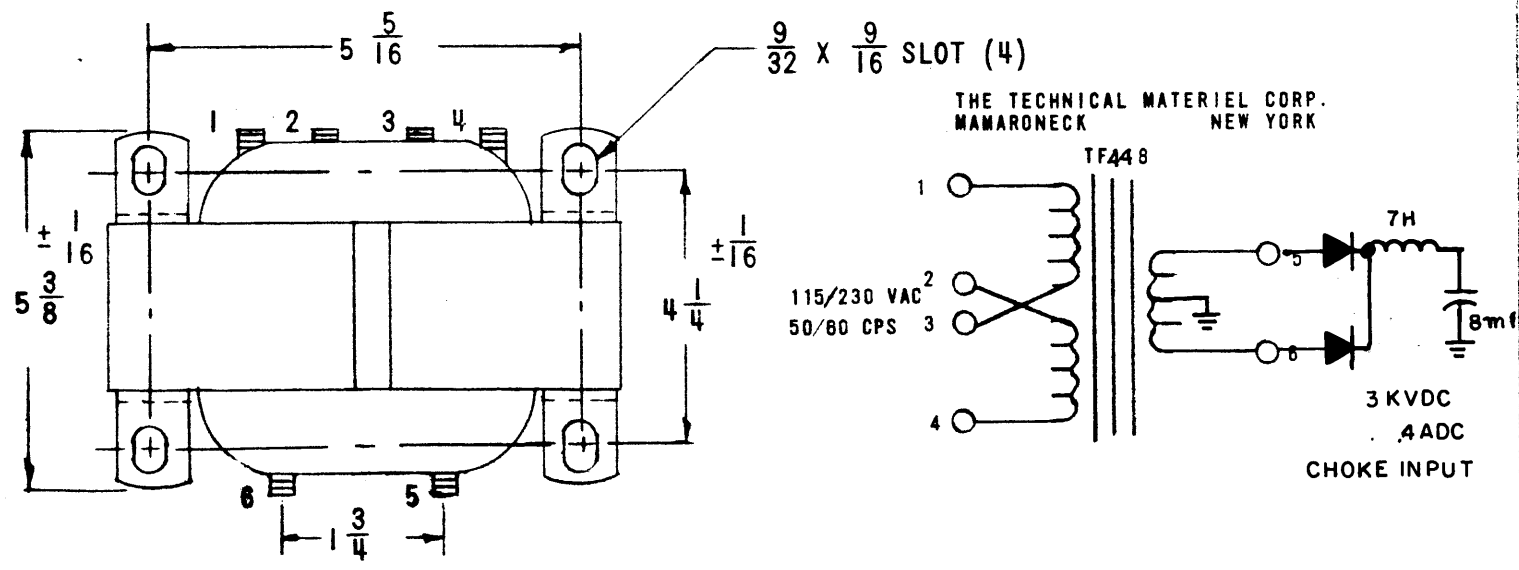
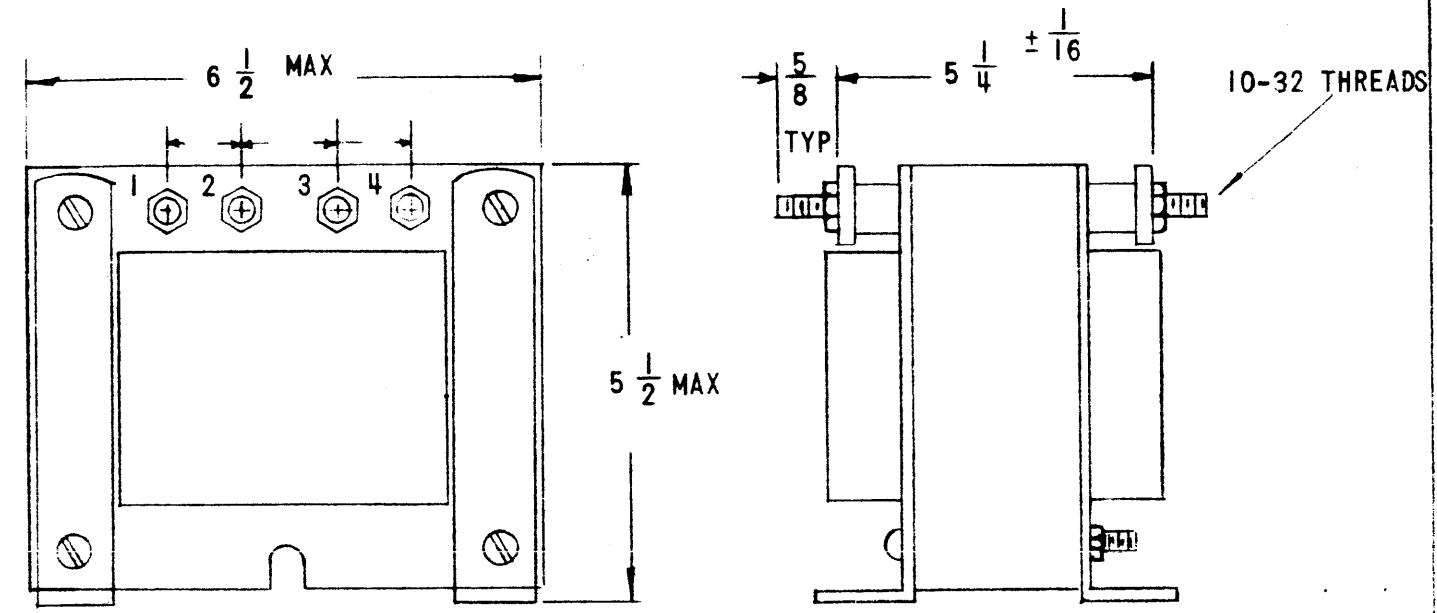
5

4

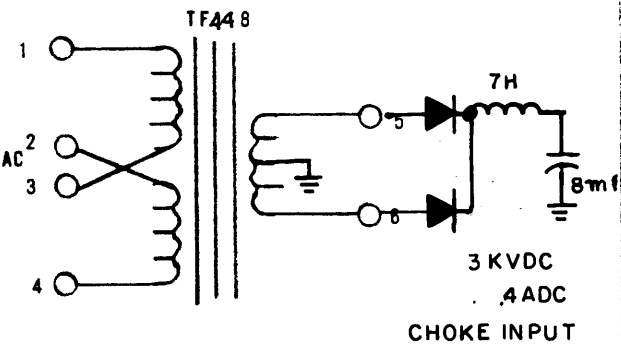
3

2

REVISIONS						
ZONE	LTR	DESCRIPTION	DATE	E.M.N.NO	CHK	APPD
	X	EXP. RELEASE				



THE TECHNICAL MATERIEL CORP.
MAMARONECK NEW YORK



SPECIFICATIONS

ELECTRICAL:

PRIMARY WINDING
VOLTAGE: 115/230 VAC
FREQUENCY: 50/60 CPS

SECONDARY WINDING
VOLTAGE: INTO FULL WAVE RECTIFIER 3KVDC .4ADC

PHASE: SINGLE
INSULATION TEST VOLTAGE: 6000 VRMS

MECHANICAL:

CASE: OPEN FRAME
FINISH: BLACK MATT
EXCEPT TERMINALS

DIMENSIONS: SHOWN PICTORIALY
TERMINALS: 10-32 THREADS
TOLERANCE RANGE: ±1/32 UNLESS OTHERWISE SPECIFIED

STAMPING: ACCORDING TO TMC SPEC S727 WHITE GOTHIC LETTERING AND LINE WORK
SCHEMATIC TO BE PLACED AS SHOWN

NOTE: MANUFACTURED IN ACCORDANCE WITH MIL-SPEC T-27-A, EXCEPT THAT MIL SPEC T-27-A SHALL NOT APPEAR ON CASE AND QUALIFICATION TESTING NOT REQUIRED.

QTY / UNIT	MODEL USED ON	ASS'Y NO.
	LPA-5	
APPLICATION		
	CODE C	S401-30 (BCT#7849)

NOTICE TO PERSONS RECEIVING THIS DRAWING
THE TECHNICAL MATERIEL CORPORATION claims proprietary right in the material disclosed hereon. This drawing is issued in confidence for engineering information only and may not be reproduced or used to manufacture anything shown hereon without permission from THE TECHNICAL MATERIEL CORPORATION to the user. This drawing is loaned for mutual assistance and is subject to recall at any time.

REQ'D	ITEM	PART NUMBER	DESCRIPTION	SYM.
F. BUDETTI LIST OF MATERIAL				
UNLESS OTHERWISE SPECIFIED DIMENSIONS ARE IN INCHES AND INCLUDE CHEMICALLY APPLIED OR PLATED FINISHES		FINAL APPROVAL	DATE	THE TECHNICAL MATERIEL CORP. MAMARONECK, NEW YORK
		MECH. DES.	DATE	
		ELECT. DES.	DATE	
		CHECKED	DATE	
		DRAWN G.D.L.	DATE 9-5-81	TRANSFORMER, POWER STEP-UP
		SIZE B	CODE IDENT. NO. 82679	DWG NO. TF 448
		FINISH MIL	SCALE	ISSUE X
			SHEET	OF

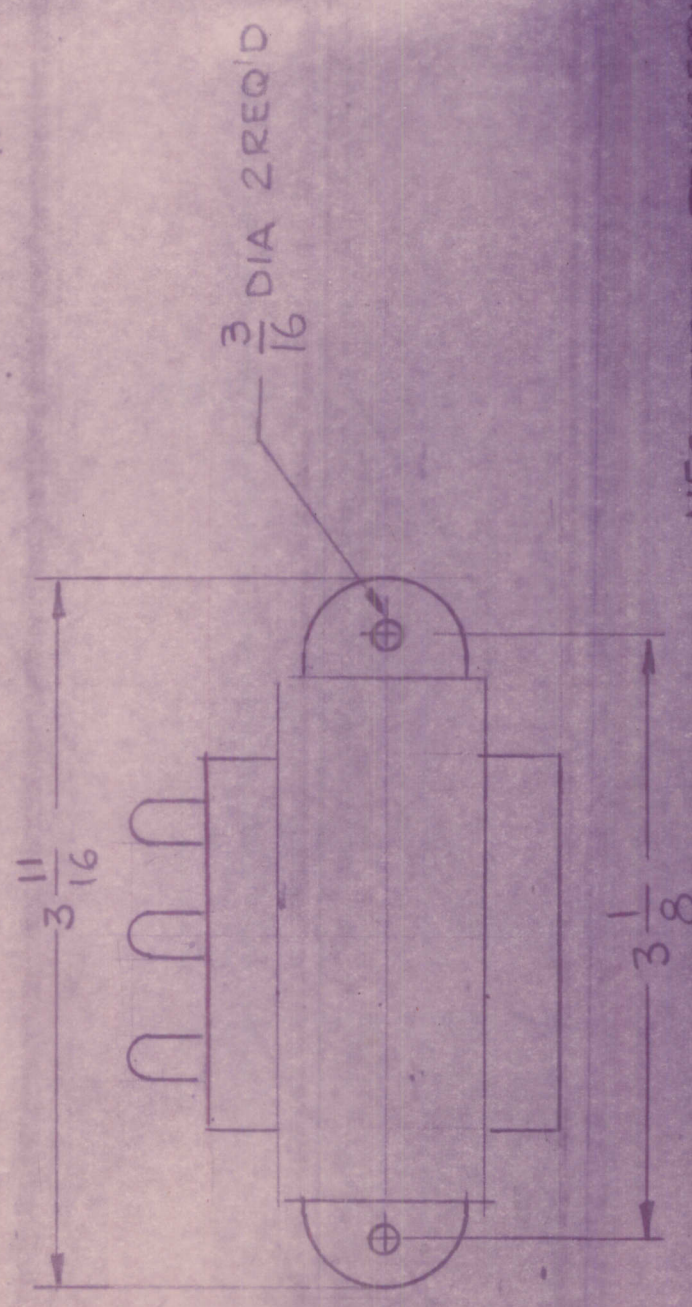
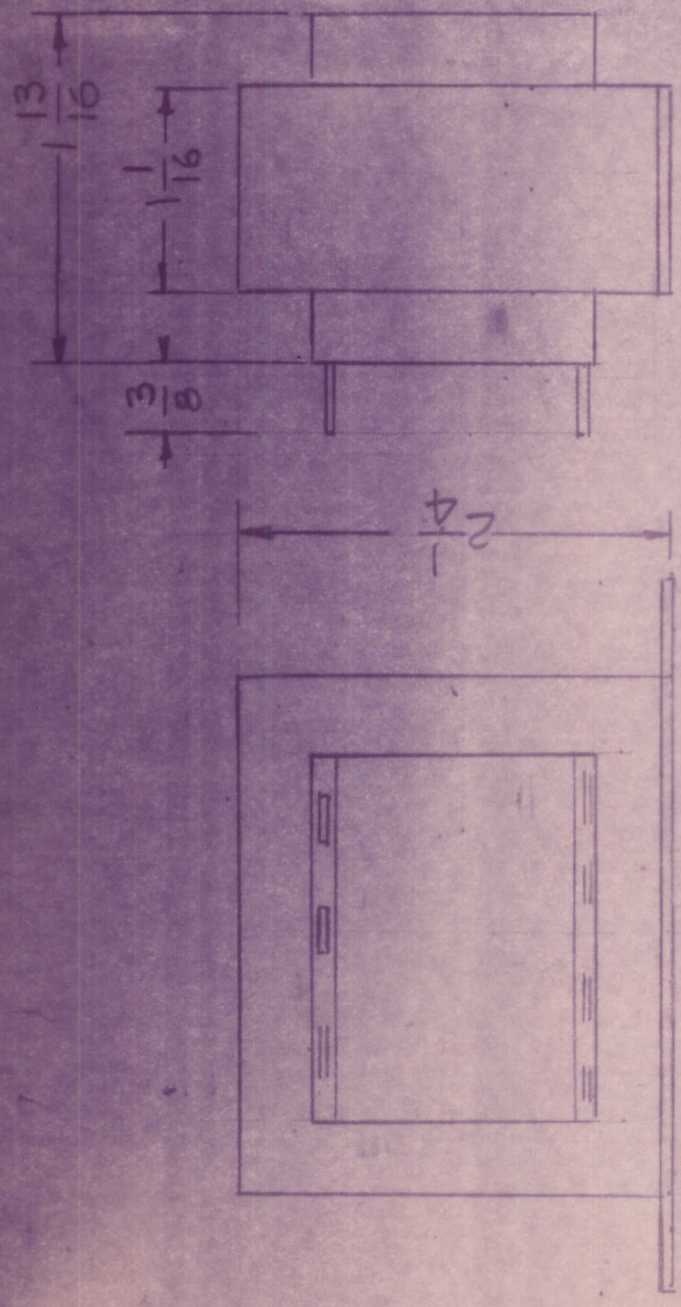
4

3

2

1

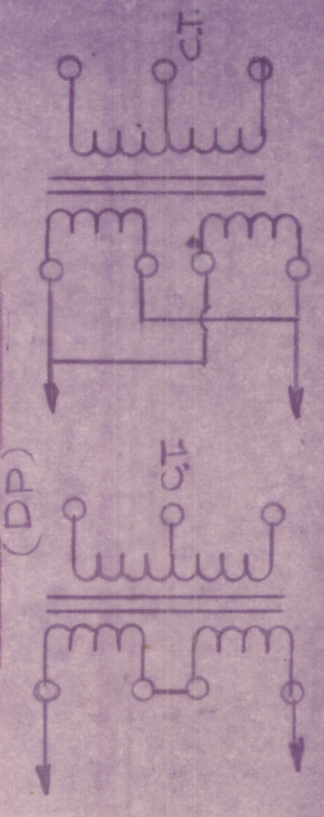
REVISIONS		DATE		APPROVED	
EMN NO	DRAFT	CHKD	ZONE	LTR	



SPECIFICATIONS

PRIMARY : 115/230 VAC
SECONDARY: 36V C.T. & 1.5A

SCHEMATIC



230 VAC ~ 115 VAC

MFG. SIGNAL TRANSFORMER CO.
CAT-G3 P/NO. DP 241-7-36

QTY / UNIT	MODEL USED ON	ASSY NO.
	APPLICATION	
	CODE	

MFO-

NOTICE TO PERSONS RECEIVING THIS DRAWING
THE TECHNICAL MATERIEL CORPORATION claims proprietary right in the material disclosed hereon. This drawing is issued in confidence for engineering information only and may not be reproduced or used to manufacture anything shown hereon without permission from THE TECHNICAL MATERIEL CORPORATION to the user. This drawing is loaned for mutual assistance and is subject to recall at any time.

REQ'D ITEM	PART NUMBER	DESCRIPTION	SYM.
LIST OF MATERIAL			
THE TECHNICAL MATERIEL CORP. MAMARONECK, NEW YORK			
TRANSFORMER, POWER			
SIZE	CODE IDENT. NO.	DWG NO.	ISSUE
B	82679	TF 446	X
SCALE	1:1	SHEET	OF
		2	1

FINAL APPROVAL	DATE
MECH. DES.	
ELECT. DES.	
CHECKED	
DRAWN	5-7-80

UNLESS OTHERWISE SPECIFIED DIMENSIONS ARE IN INCHES AND INCLUDE CHEMICALLY APPLIED OR PLATED FINISHES	FRACTIONS 1/64
DECIMALS X ± .05	TOLS. ANGLES
.XX ± .01	0° 30'
.XXX ± .005	
MATERIAL	FINISH

5

4

3

2

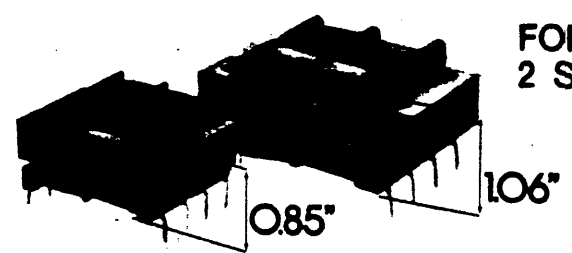
1

REVISIONS

E.M.N. NO.	DRAFT	CHKD	ZONE	LTR	DESCRIPTION	DATE	APPROVED
21890	RU	RU			REDRAWN & CLARIFIED ON (B) SIZE	8-28-81	

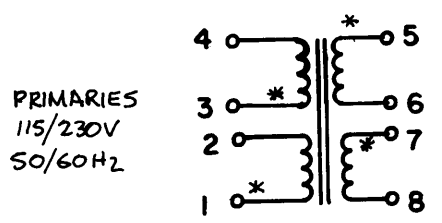
TMC PART NO.	Part No.	Size	SECONDARY*		USED ON
			Series	Parallel	
TF447- TF447-2	LP 16-700	12	16V C.T. @ 700MA	8V @ 1.4A	AMC-8A
	LP 16-350	6	16V C.T. @ 350MA	8V @ 700MA	
	LP 12-450	6	12.6V C.T. @ 450MA	6.3V @ 900MA	
	LP 12-900	12	12.6V C.T. @ 900MA	6.3V @ 1.8A	
	LP 10-600	6	10V C.T. @ 600MA	5V @ 1.2A	
	LP 10-1200	12	10V C.T. @ 1200MA	5V @ 2.4A	
	LP 20-300	6	20V C.T. @ 300MA	10V @ 600MA	
	LP 20-600	12	20V C.T. @ 600MA	10V @ 1.2A	
	LP 24-250	6	24V C.T. @ 250MA	12V @ 500MA	
	LP 24-500	12	24V C.T. @ 500MA	12V @ 1A	
	LP 34-170	6	34V C.T. @ 170MA	17V @ 340MA	
	LP 34-340	12	34V C.T. @ 340MA	17V @ 680MA	
	LP 40-150	6	40V C.T. @ 150MA	20V @ 300MA	
	LP 40-300	12	40V C.T. @ 300MA	20V @ 600MA	
	LP 56-100	6	56V C.T. @ 100MA	28V @ 200MA	
	LP 56-200	12	56V C.T. @ 200MA	28V @ 400MA	
	LP 88-65	6	88V C.T. @ 65MA	44V @ 130MA	
	LP 88-130	12	88V C.T. @ 130MA	44V @ 260MA	
	LP 120-50	6	120V C.T. @ 50MA	60V @ 100MA	
	LP 120-100	12	120V C.T. @ 100MA	60V @ 200MA	
LP 230-25	6	230V C.T. @ 25MA	115V @ 50MA		
LP 230-50	12	230V C.T. @ 50MA	115V @ 100MA		

Regulation of Size 6 units is 30%, i.e., no load-secondary voltage is 30% higher than full load.
 Regulation of Size 12 units is 20%.



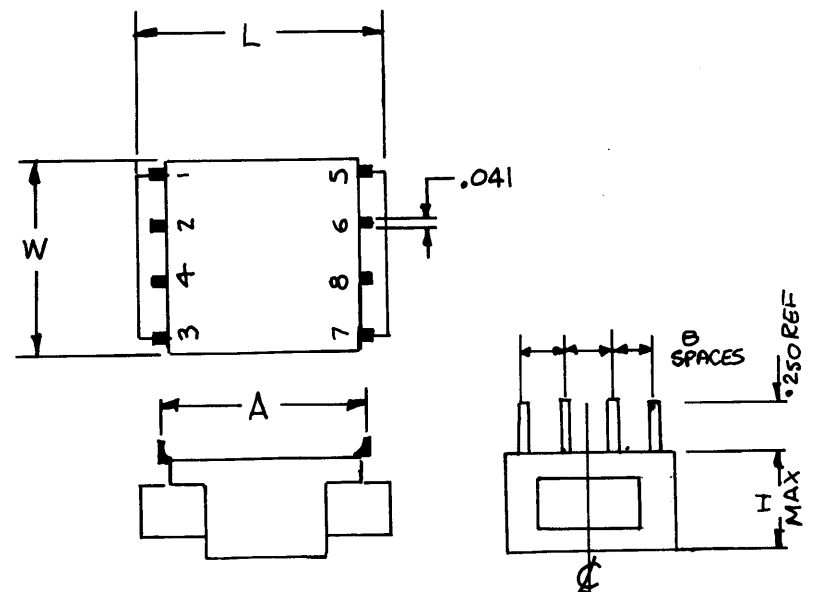
FOR PRINTED CIRCUIT APPLICATIONS
 2 SIZES — 6VA — 0.850 inches high
 12VA — 1.065 inches high

LOW PROFILE: Allows 1 inch card spacing for 6va units or 1 1/4 inch card spacing for 12va units.
DUAL PRIMARIES: 115/230v, 50/60 Hz.
NON-CONCENTRIC WINDING: Where secondary is wound alongside primary rather than directly over it. This added isolation reduces inter-winding capacitance and eliminates the need for an electro-static shield.
1500V. RMS HIPOT: Is standard because of the advantage of non-concentric windings.
HUM-BUCKING CONSTRUCTION: (Semi-toroidal) results in reduced radiated magnetic field and balanced windings.
 The LP line of transformers is ideal for low height, critical pc board power applications in semi-conductor control and instrumentation. They are used extensively in single or dual output dc supplies and isolated control circuit and reference supplies.



PRIMARIES
 115/230V
 50/60Hz

* INDICATES LIKE POLARITY



SIZE	L	W	H	A	B	Oz
6	1 7/8	1 9/16	.850	1.600	.375	7
12	2 1/2	2	1.065	2.000	.500	11

2	AMC-8A	A5782
QTY / UNIT	MODEL USED ON	ASS'Y NO.

APPLICATION	
CODE	S401-SIGNAL TRANSFORMER

NOTICE TO PERSONS RECEIVING THIS DRAWING
 THE TECHNICAL MATERIEL CORPORATION claims proprietary right in the material disclosed hereon. This drawing is issued in confidence for engineering information only and may not be reproduced or used to manufacture anything shown hereon without permission from THE TECHNICAL MATERIEL CORPORATION to the user. This drawing is loaned for mutual assistance and is subject to recall at any time.

REQ'D	ITEM	PART NUMBER	DESCRIPTION	SYM.
LIST OF MATERIAL				
THE TECHNICAL MATERIEL CORP. MAMARONECK, NEW YORK				
TRANSFORMER POWER				
FINAL APPROVAL		DATE	SIZE B CODE IDENT. NO. 82679 DWG NO. TF447 ISSUE A	
MECH. DES.		DATE		
ELECT. DES.		DATE		
CHECKED		DATE		
DRAWN		DATE	SCALE	
		7-10-80	SHEET OF	