

5

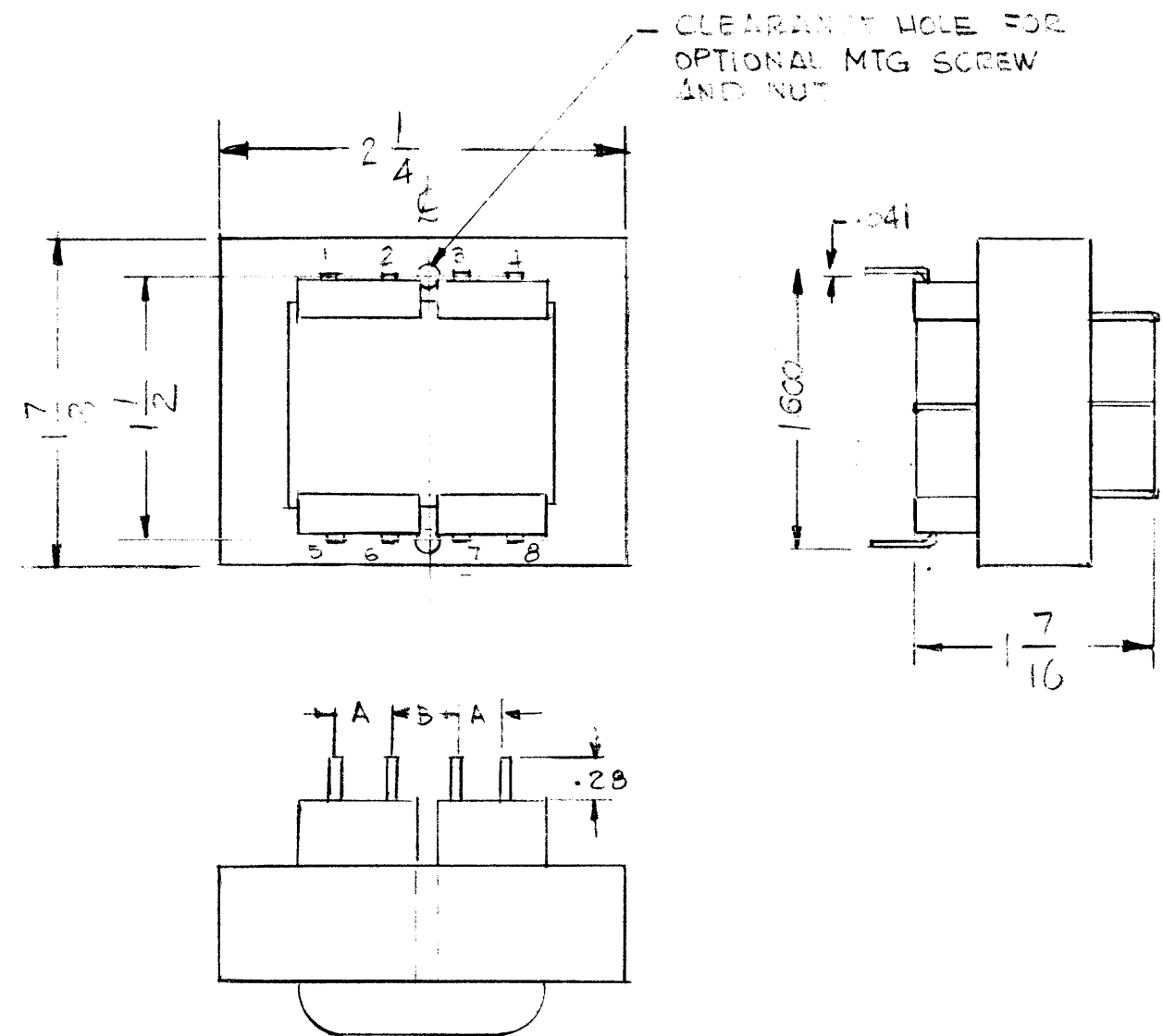
4

3

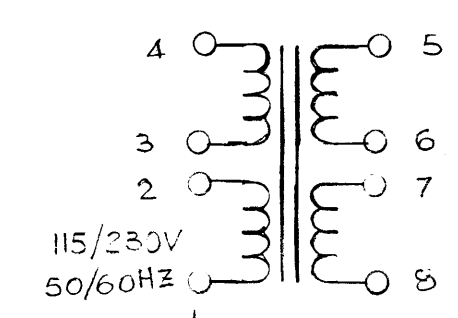
2

1

REVISIONS							
E.M.N. NO.	DRAFT	CHKD	ZONE	LTR	DESCRIPTION	DATE	APPROVED
	GDL				DESIGNED FOR PRODUCTION	9-17-84	



ELECTRICAL SPEC'S
 PRIMARY : 115/230V.
 SECONDARY: SERIES PARALLEL
 43V @ 0.04A 24V @ 0.8A



SCHEMATIC DIAGRAM

QTY / UNIT	MODEL USED ON	ASS'Y NO.	REQ'D	ITEM	PART NUMBER	DESCRIPTION	SYM.
1	AZ 102						
LIST OF MATERIAL							
THE TECHNICAL MATERIEL CORP. MAMARONECK, NEW YORK							
TRANSFORMER, POWER							
APPLICATION CODE C S-11-930			UNLESS OTHERWISE SPECIFIED DIMENSIONS ARE IN INCHES AND INCLUDE CHEMICALLY APPLIED OR PLATED FINISHES		FINAL APPROVAL [Signature] DATE 9/17/84		THE TECHNICAL MATERIEL CORP. MAMARONECK, NEW YORK TRANSFORMER, POWER
MATERIAL			DECIMALS .X ± .05 FRACTIONS 1/64 .XX ± .01 TOLS. ANGLES .XXX ± .005 0° -30'		MECH. DES. DATE ELECT. DES. DATE CHECKED DATE		
FINISH			DRAWN GDL DATE 9-17-84		SIZE B CODE IDENT. NO. 82679 DWG NO. TF 452 ISSUE [Signature]		
NOTICE TO PERSONS RECEIVING THIS DRAWING THE TECHNICAL MATERIEL CORPORATION claims proprietary right in the material disclosed hereon. This drawing is issued in confidence for engineering information only and may not be reproduced or used to manufacture anything shown hereon without permission from THE TECHNICAL MATERIEL CORPORATION to the user. This drawing is loaned for mutual assistance and is subject to recall at any time.			SCALE 1:1		SHEET OF		