

5

4

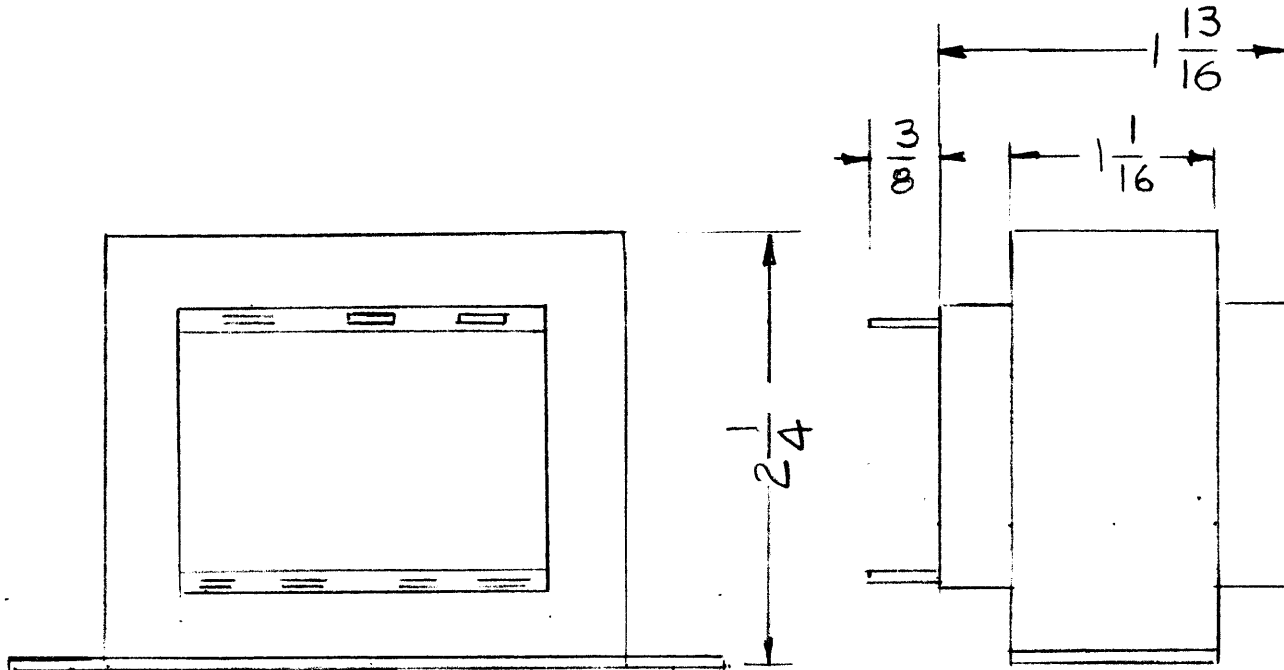
3

2

1

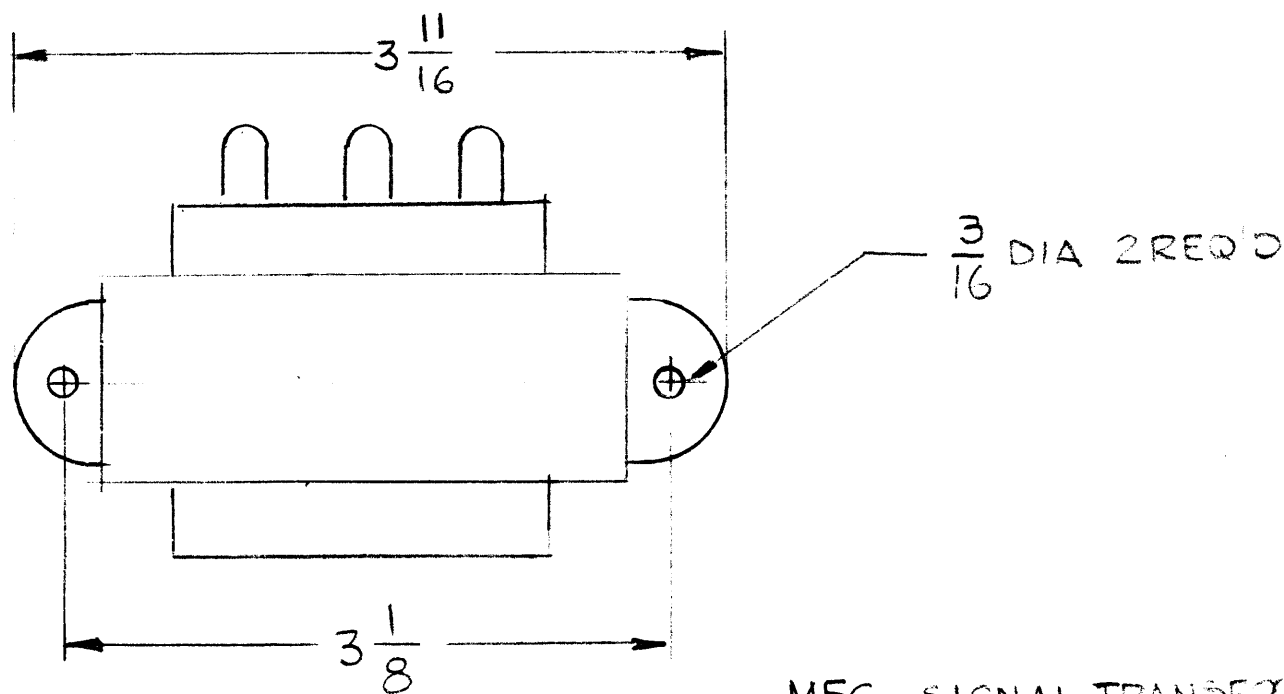
REVISIONS

E.M.N. NO.	DRAFT	CHKD	ZONE	LTR	DESCRIPTION	DATE	APPROVED
		dw		Ø	ORIGINAL RELEASE	5-8-80	

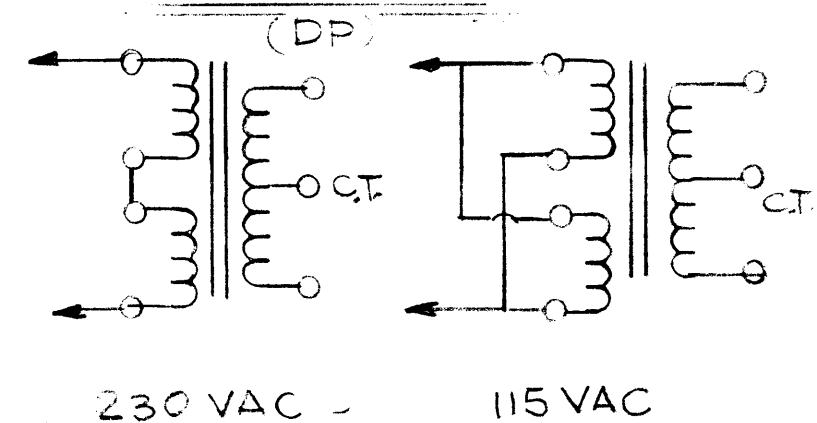


SPECIFICATIONS

PRIMARY : 115/230 VAC
 SECONDARY: 10 V C.T. @ 1.5A



SCHEMATIC



MFG. SIGNAL TRANSFORMER CO
 CAT-G3 P/NO DP 241-7-10

REQ'D	ITEM	PART NUMBER	DESCRIPTION	SYM.
LIST OF MATERIAL				

QTY / UNIT	DPC-10	ASS'Y NO.
APPLICATION		
CODE		

UNLESS OTHERWISE SPECIFIED DIMENSIONS ARE IN INCHES AND INCLUDE CHEMICALLY APPLIED OR PLATED FINISHES		FINAL APPROVAL	DATE
		<i>G.B.</i>	<i>5/8/80</i>
DECIMALS	FRACTIONS	ELECT. DES.	DATE
.X ± .05	1/64		
.XX ± .01	TOLS. ANGLES	CHECKED	DATE
.XXX ± .005	0° -30'		
MATERIAL		DRAWN	DATE
		<i>G.D.L.</i>	<i>5-7-80</i>
FINISH			

THE TECHNICAL MATERIEL CORP. MAMARONECK, NEW YORK			
TRANSFORMER, POWER			
SIZE	CODE IDENT. NO.	DWG NO.	ISSUE
B	82679	TF 442	Ø
SCALE	1:1	SHEET	OF

NOTICE TO PERSONS RECEIVING THIS DRAWING
 THE TECHNICAL MATERIEL CORPORATION claims proprietary right in the material disclosed herein. This drawing is issued in confidence for engineering information only and may not be reproduced or used to manufacture anything shown herein without permission from THE TECHNICAL MATERIEL CORPORATION to the user. This drawing is loaned for mutual assistance and is subject to recall at any time.

5

4

3

2

1