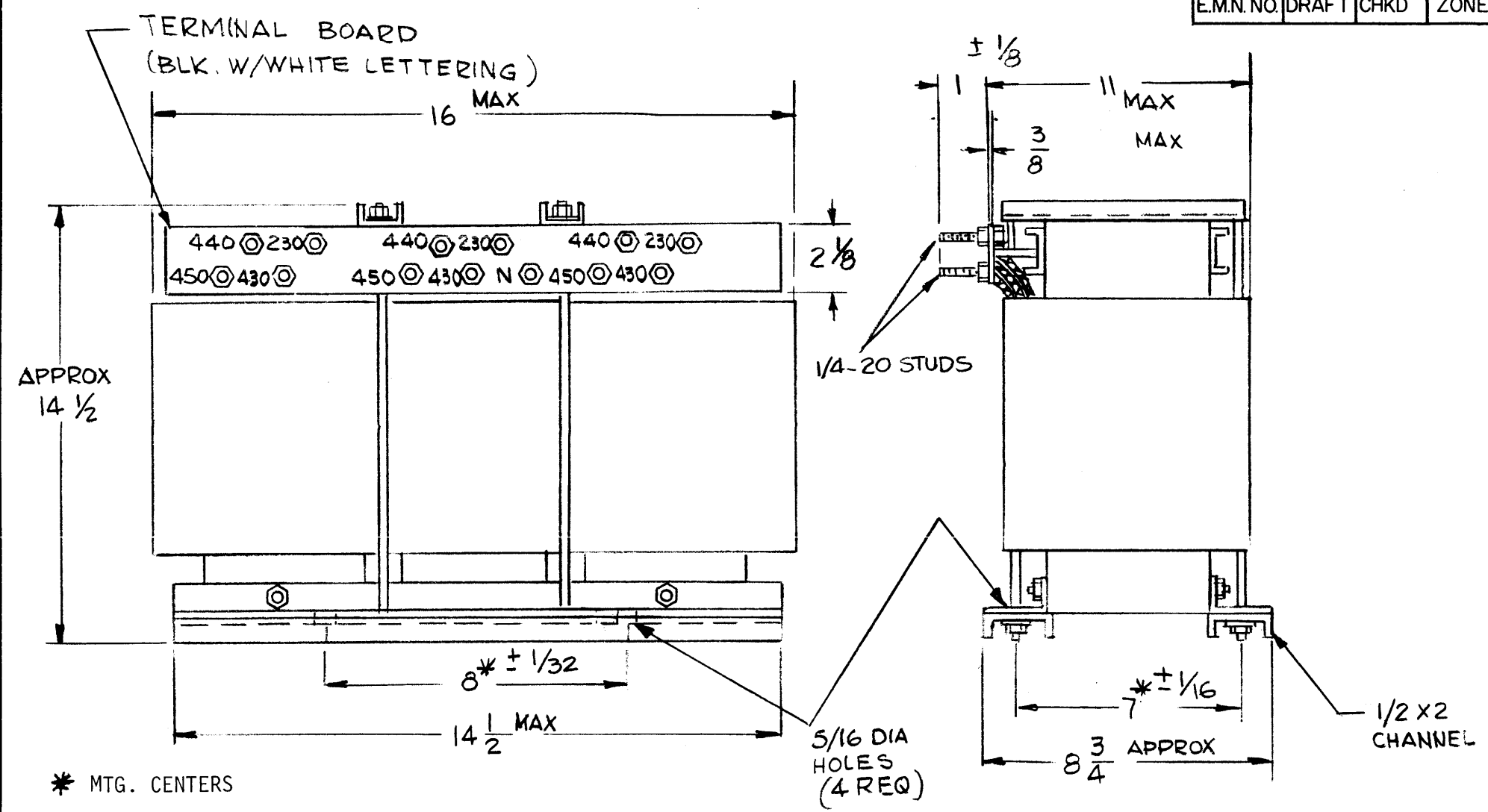
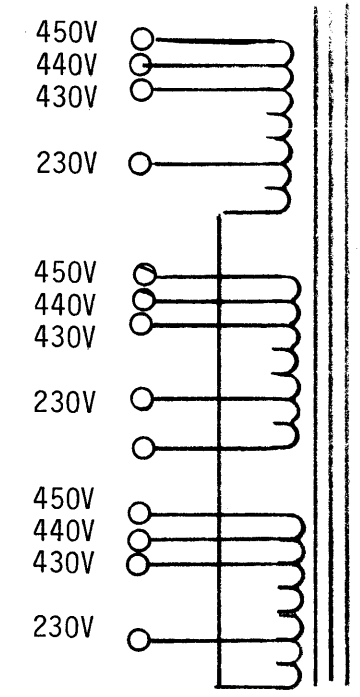


REVISIONS							
E.M.N. NO.	DRAFT	CHKD	ZONE	LTR	DESCRIPTION	DATE	APPROVED



THE TECHNICAL MATERIEL CORPORATION
MAMARONECK NEW YORK

TF435



SCHEMATIC TO BE STAMPED ON XMTR, IN WHITE

SPECIFICATIONS

WINDING DATA:

- INPUT: 430, 440, 450 VAC, 50/60/HZ, 3PH
- OUTPUT VOLTAGE 230 VAC, NEUTRAL
- OUTPUT CURRENT RATING: 100 AMP, RMS
- BREAKDOWN TEST VOLTAGE: 2000 VAC
- CASE: OPEN FRAME
- FINISH: S115 SMOOTH GREY ENAMEL EXCEPT TERMINAL BOARDS & TERMINALS
- TERMINAL BOARD 3/8" THICK

NOTE:
MFG. IN ACCORDANCE WITH MIL-T-27A
EXCEPT THAT MIL-T-27A SHALL NOT
APPEAR ON CASE AND QUALIFICATION'S
TESTING IS NOT REQUIRED.

1	BCT 10K	
1	HFL 10K	
QTY / UNIT	MODEL USED ON	ASS'Y NO.
APPLICATION		
	CODE	
<p>NOTICE TO PERSONS RECEIVING THIS DRAWING THE TECHNICAL MATERIEL CORPORATION claims proprietary right in the material disclosed hereon. This drawing is issued in confidence for engineering information only and may not be reproduced or used to manufacture anything shown hereon without permission from THE TECHNICAL MATERIEL CORPORATION to the user. This drawing is loaned for mutual assistance and is subject to recall at any time.</p>		
	MATERIAL	
	FINISH	

UNLESS OTHERWISE SPECIFIED
DIMENSIONS ARE IN INCHES
AND INCLUDE CHEMICALLY APPLIED
OR PLATED FINISHES

DECIMALS FRACTIONS
.X ± .05 TOLS. 1/64
.XX ± .01 ANGLES
.XXX ± .005 0°-30'

REQ'D	ITEM	PART NUMBER	DESCRIPTION	SYM.
LIST OF MATERIAL				
<p>FINAL APPROVAL <i>[Signature]</i> DATE 8-76 MECH. DES. DATE ELECT. DES. DATE CHECKED DATE DRAWN GDL DATE 10-7-76</p>				
<p>THE TECHNICAL MATERIEL CORP. MAMARONECK, NEW YORK</p> <p><i>AUTO TRANSFORMER</i></p>				
	SIZE	CODE IDENT. NO.	DWG NO.	ISSUE
	B	82679	TF435	
SCALE			SHEET	OF