

5

4

3

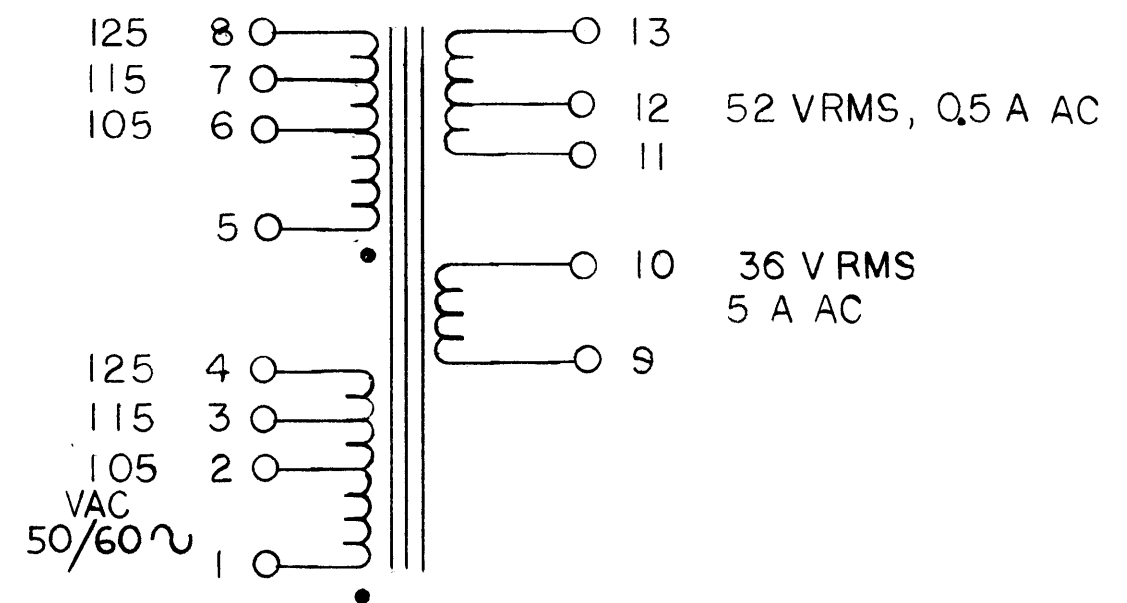
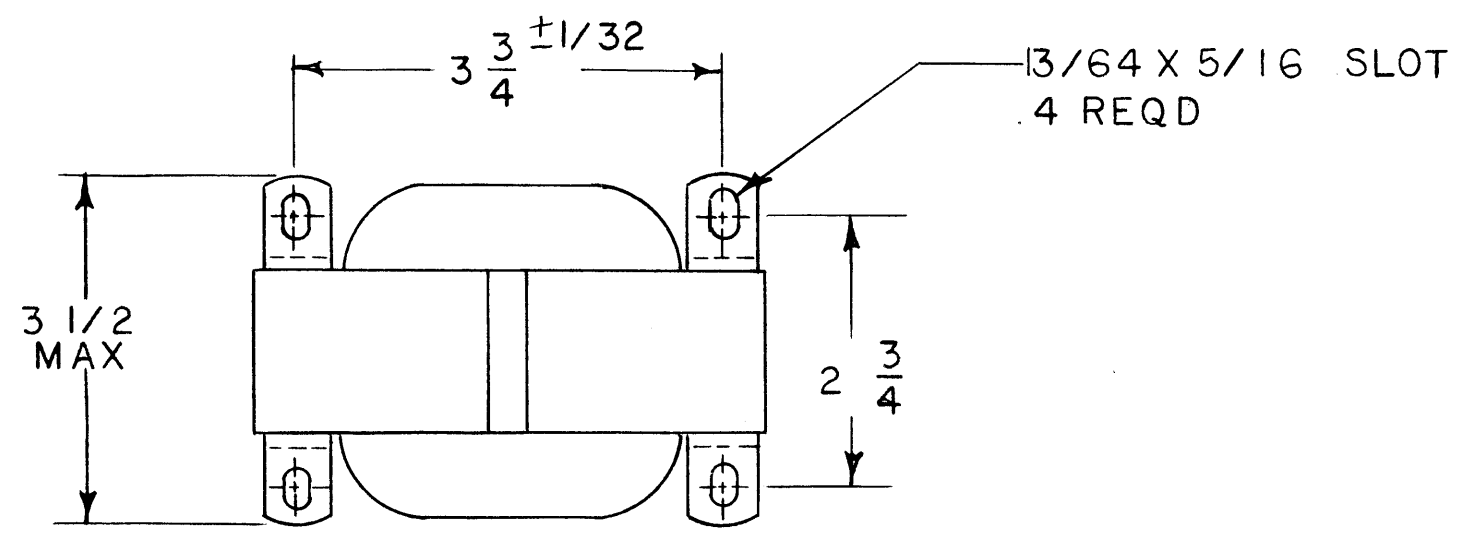
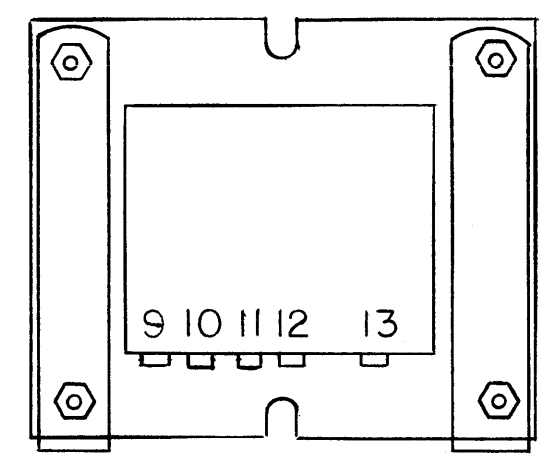
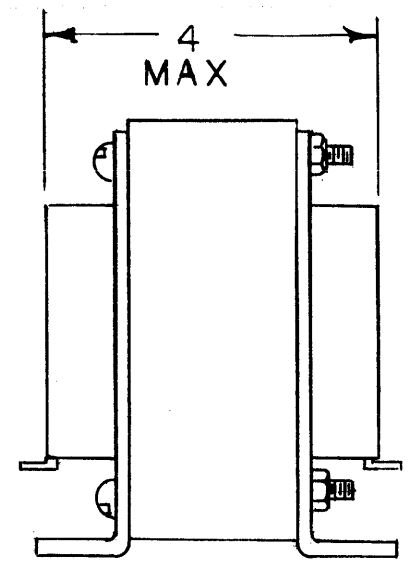
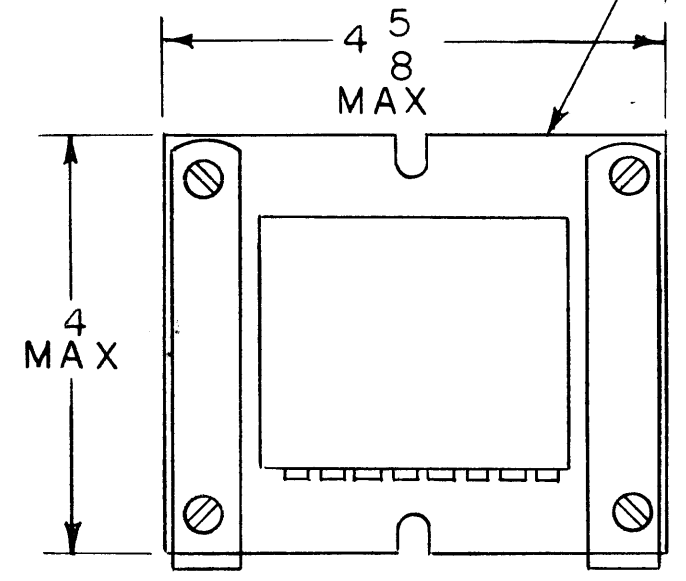
2

1

REVISIONS

ZONE	LTR	DESCRIPTION	DATE	E.M.N.NO	DRAFT	CHKD	APPD
	X	EXPERIMENTAL RELEASE	2-25-71		RF		
	Ø	ORIGINAL RELEASE	5/15/71		GE	CS	USE
	A	ADD VAC 50/60~ TO SCH.	4/26/72	20608	GE	CS	CS

MARK TMC PART NUMBER  
1/8 HIGH GOTHIC WITH LATEST  
REVISION LETTER



REQ'D	ITEM	PART NUMBER	DESCRIPTION	SYM.
-------	------	-------------	-------------	------

F. BUDETTI LIST OF MATERIAL

I	HFLA-1K	AP-151
QTY / UNIT	MODEL USED ON	ASS'Y NO.
APPLICATION		
	CODE	

NOTICE TO PERSONS RECEIVING THIS DRAWING  
THE TECHNICAL MATERIEL CORPORATION claims proprietary right in the material disclosed hereon. This drawing is issued in confidence for engineering information only and may not be reproduced or used to manufacture anything shown hereon without permission from THE TECHNICAL MATERIEL CORPORATION to the user. This drawing is loaned for mutual assistance and is subject to recall at any time.

UNLESS OTHERWISE SPECIFIED DIMENSIONS ARE IN INCHES AND INCLUDE CHEMICALLY APPLIED OR PLATED FINISHES		FINAL APPROVAL	DATE
DECIMALS	FRACTIONS	MECH. DES.	DATE
.X ± .05	1/64	ELECT. DES.	DATE
.XX ± .01	TOLS. ANGLES	CHECKED	DATE
.XXX ± .005	0° -30'	DRAWN	DATE
MATERIAL		R. Forlano	2-25-71
FINISH		S 401-30 (9579)	

THE TECHNICAL MATERIEL CORP.	DATE
MAMARONECK, NEW YORK	15/10/71
XFMR, LV.	DATE
SIZE	DATE
B	2-25-71

CODE IDENT. NO.	DWG NO.	ISSUE
82679	TF 416	A
SCALE	SHEET	OF
~	1	1

5

4

3

2

1