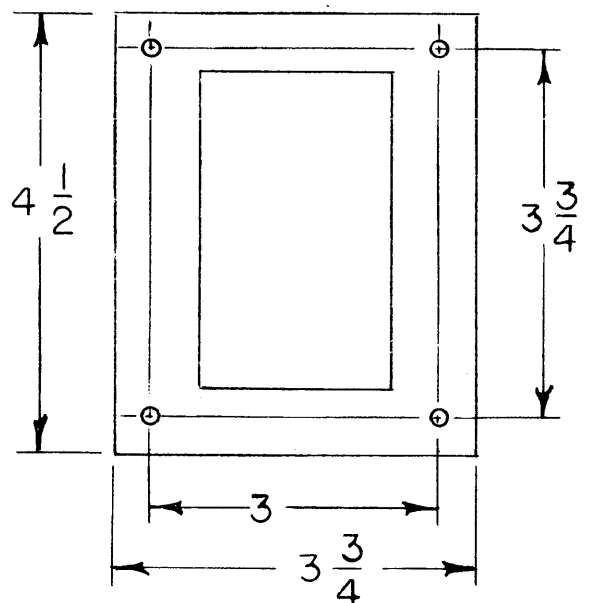
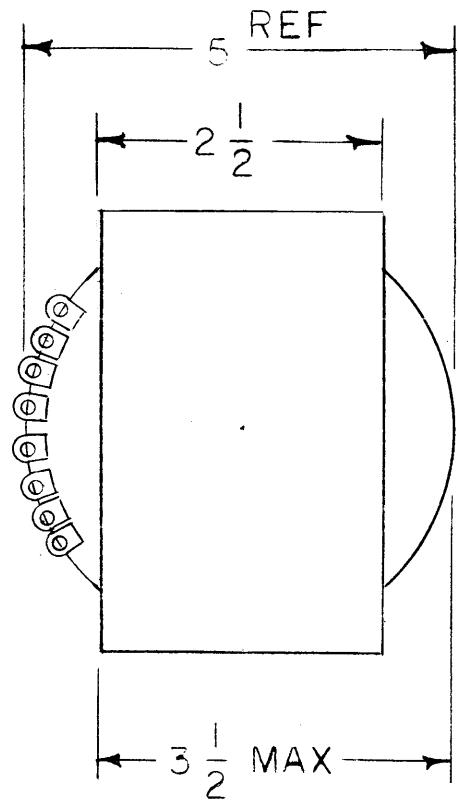
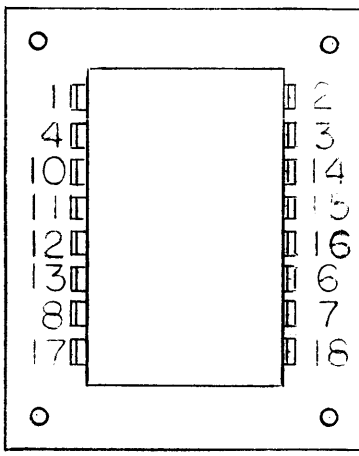
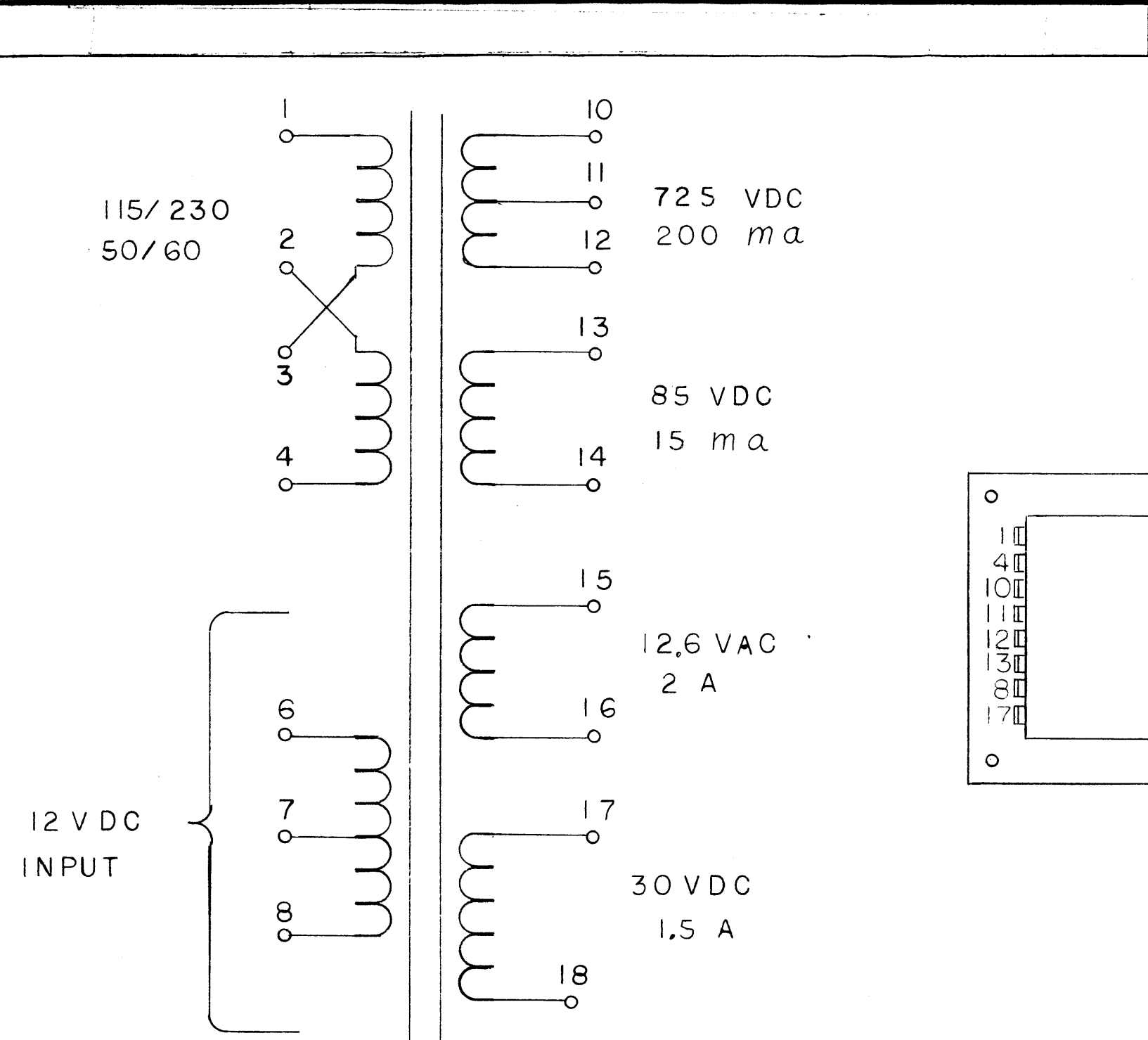


REVISIONS						
ZONE	LTR	DESCRIPTION	DATE	E.M.N.NO	DRAFT	CHKD APPD
	X	EXP RELEASE	5-17-71		RF	
	Ø	ORIG RELEASE FOR PROD	6/7/71		CV	PEB PEB
	A	DELE. TERM. 5 & 9, CHG. TERM. 11 VALUE	6-22-71	20410	R#	R. B. PEB
	B	ADD. LUGS, CHG. DIM & LUG ORDER	8-17-71	20426	R#	W J



REQ'D	ITEM	PART NUMBER	DESCRIPTION	SYM.
LIST OF MATERIAL				
THE TECHNICAL MATERIEL CORP. MAMARONECK, NEW YORK				
TRANSFORMER				
SIZE	CODE IDENT. NO.	DWG NO.	ISSUE	
B	82679	TF 411	B	
SCALE	~		SHEET 1 OF 1	

I	TM-125	
QTY / UNIT	MODEL USED ON	ASS'Y NO.
APPLICATION		
	CODE	
<small>NOTICE TO PERSONS RECEIVING THIS DRAWING</small> <small>THE TECHNICAL MATERIEL CORPORATION claims proprietary right in the material disclosed hereon. This drawing is issued in confidence for engineering information only and may not be reproduced or used to manufacture anything shown hereon without permission from THE TECHNICAL MATERIEL CORPORATION to the user. This drawing is loaned for mutual assistance and is subject to recall at any time.</small>		

UNLESS OTHERWISE SPECIFIED DIMENSIONS ARE IN INCHES AND INCLUDE CHEMICALLY APPLIED OR PLATED FINISHES		FINES APPROVAL	DATE
		<i>[Signature]</i>	
		MECH. DES.	DATE
DECIMALS	FRACTIONS	ELECT. DES.	DATE
.X ± .05	1/64		
.XX ± .01	TOLS. ANGLES	CHECKED	DATE
.XXX ± .005	0° -30'	<i>B.F.</i>	6-7-71
MATERIAL		DRAWN	DATE
		<i>R. Forlano</i>	5-17-71
FINISH		S401 30(9177)	
BLACK MATT			