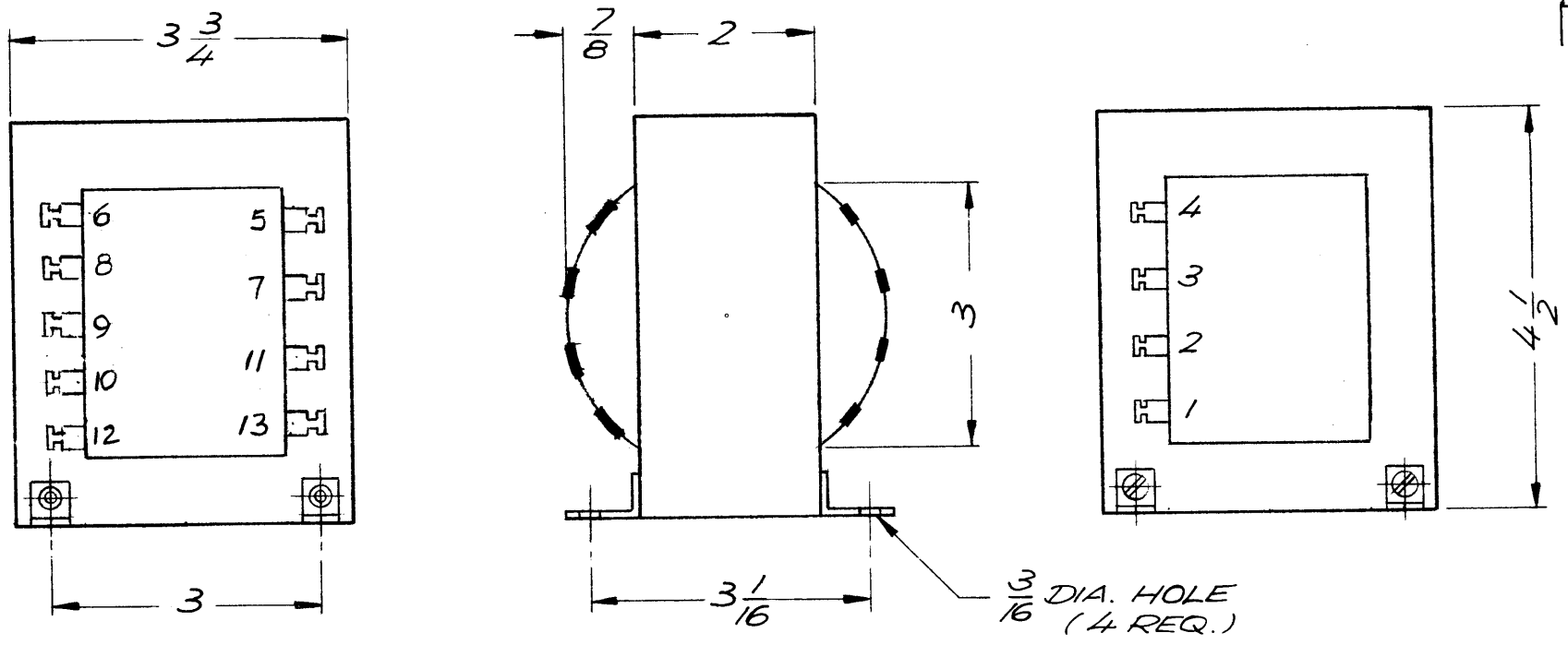


REVISIONS						
ZONE	LTR	DESCRIPTION	DATE	E.M.N.NO	DRAFT	CHKD APPD
	X	EXP. RELEASE	4/1/69	X	K.H.	
	Ø	ORIG RELEASE FOR PROD	5/17/69		CV	
	A	TERMINALS REVISED	1-27-76	21343	GDL	CL CL



SPECIFICATIONS

ELECTRICAL:

PRIMARY WINDING:
 VOLTAGE: TERMINALS 1,2,3,4 115/230V
 FREQUENCY: 50/60 CPS
 PHASE: 1
 INSULATION TEST VOLTAGE: 1000 VDC

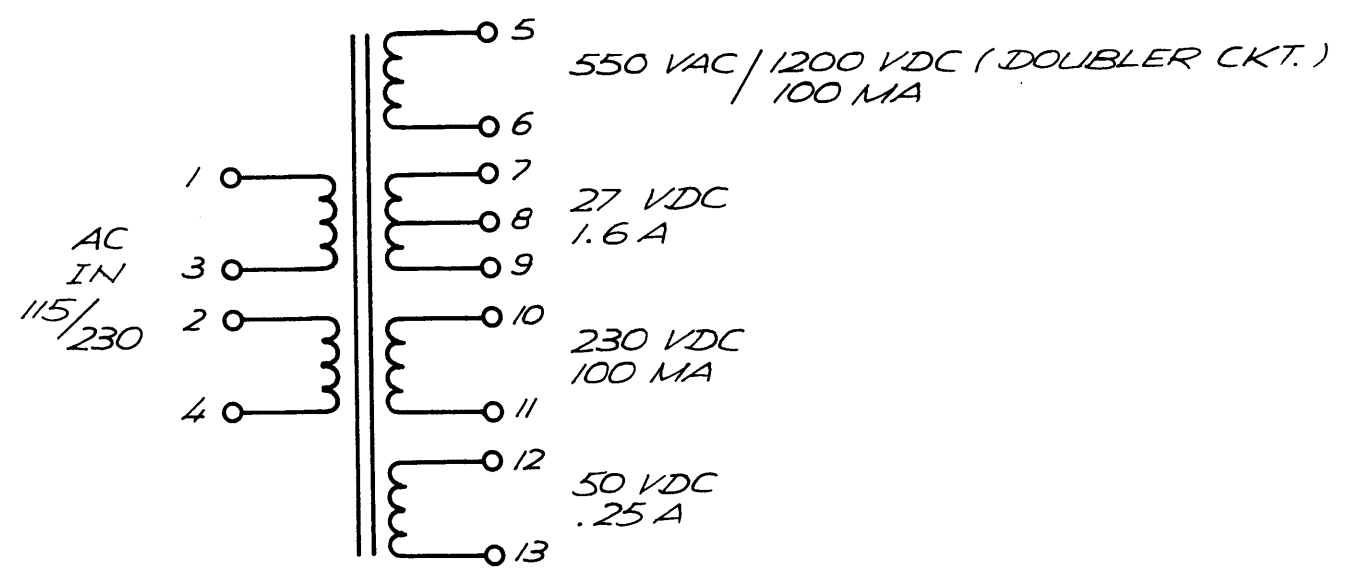
SECONDARY WINDING:
 VOLTAGE:
 TERMINALS: 5,6 - 550VAC
 7,8,9 - 27VDC
 10,11 - 230VDC
 12,13 - 50VDC

MECHANICAL:

CASE: OPEN
 FINISH: BLACK MATT
 DIMENSIONS: SHOWN PICTORIALY
 TERMINALS: SOLDER TYPE

STAMPING: ACCORDING TO TMC SPEC S727 WHITE GOTHIC LETTERING AND LINE WORK'

NOTE: TO BE MANUFACTURED IN ACCORDANCE WITH MIL-T-27 EXCEPT THAT MIL-T-27 SHALL NOT APPEAR ON CASE OR QUALIFICATION TESTING IS NOT REQUIRED.



REQ'D	ITEM	PART NUMBER	DESCRIPTION	SYM.
	O. POSE LIST OF MATERIAL			
	FINAL APPROVAL <i>[Signature]</i> DATE 7/15/69			
	MECH. DES. DATE 7/15/69			
	ELECT. DES. <i>[Signature]</i> DATE 7-3-69			
	CHECKED <i>[Signature]</i> DATE 7-3-69			
	DRAWN <i>[Signature]</i> DATE 4/1/69			
THE TECHNICAL MATERIEL CORP. MAMARONECK, NEW YORK				
TRANSFORMER, POWER				
SIZE	CODE IDENT. NO.	DWG NO.	ISSUE	
B	82679	TF 382	A	
SCALE	SHEET			OF
	1			1

QTY / UNIT	MODEL USED ON	ASS'Y NO.
	MTR () - 150	
APPLICATION		
	CODE	

UNLESS OTHERWISE SPECIFIED DIMENSIONS ARE IN INCHES AND INCLUDE CHEMICALLY APPLIED OR PLATED FINISHES

DECIMALS: .X ± .05, .XX ± .01, .XXX ± .005
 FRACTIONS: 1/64, ANGLES: 0° - 30'

FINISH: S401-30 (8352)

NOTICE TO PERSONS RECEIVING THIS DRAWING
 THE TECHNICAL MATERIEL CORPORATION claims proprietary right in the material disclosed hereon. This drawing is issued in confidence for engineering information only and may not be reproduced or used to manufacture anything shown hereon without permission from THE TECHNICAL MATERIEL CORPORATION to the user. This drawing is loaned for mutual assistance and is subject to recall at any time.