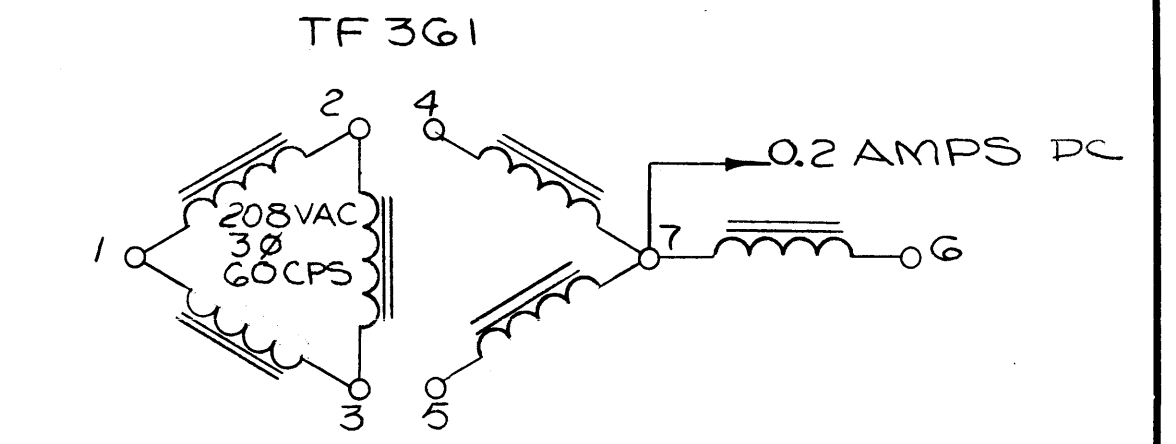


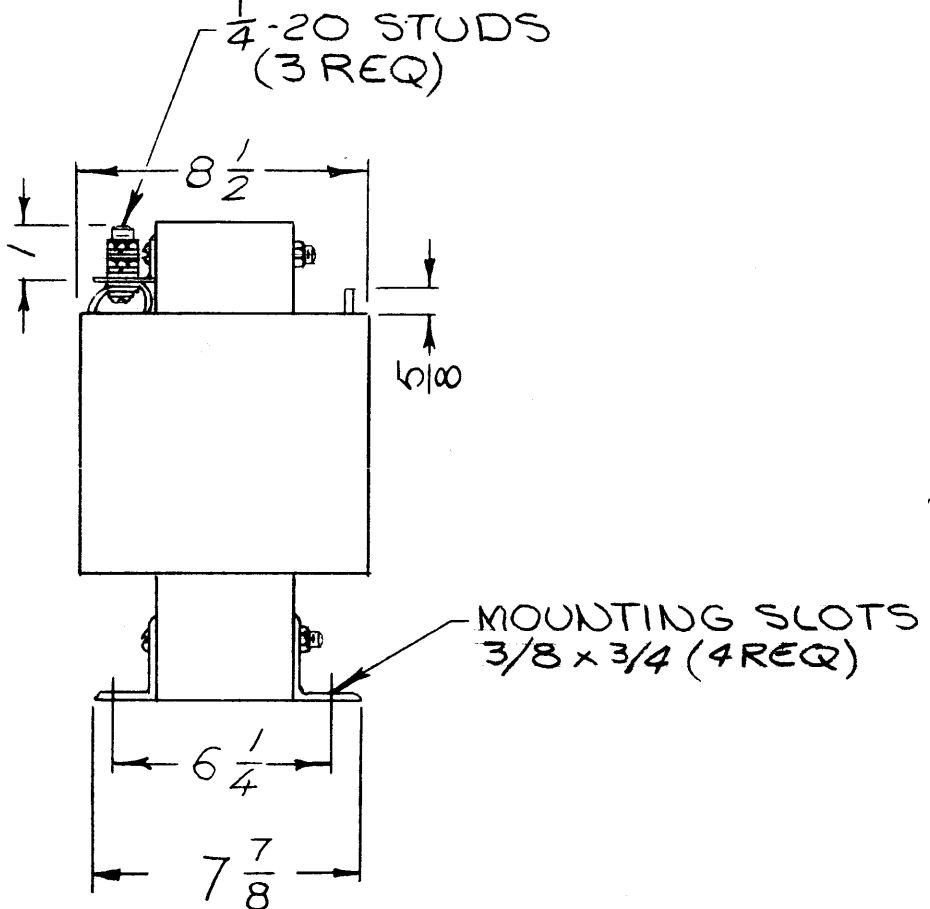
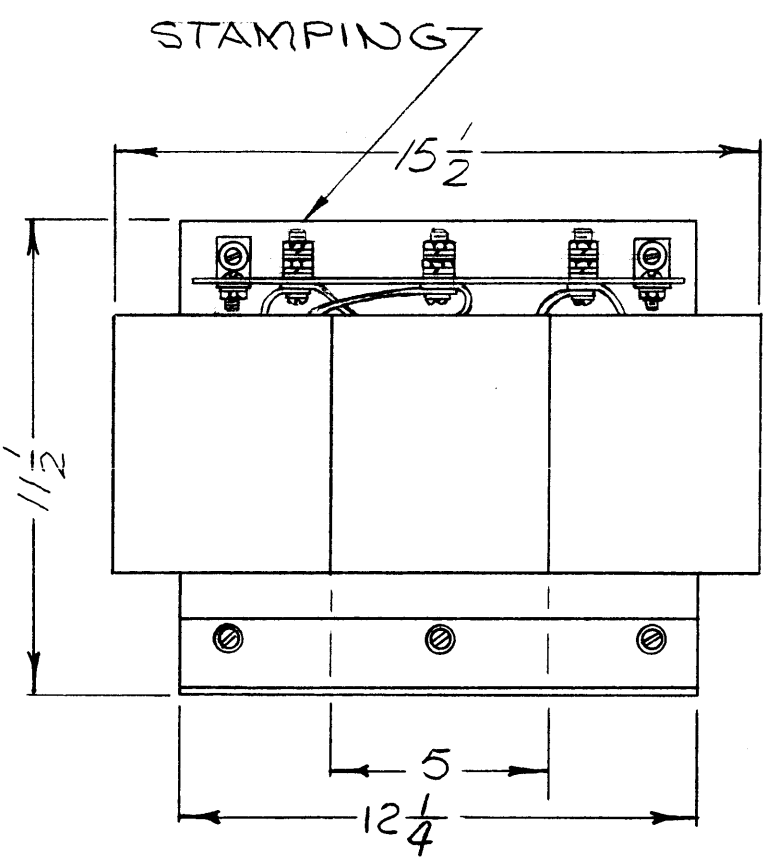
REVISIONS						
ZONE	LTR	DESCRIPTION	DATE	E.M.N.NO	DRAFT	CHKD APPD
	X	EXP. RELEASE	2-12-68			
	Ø	ORIG. RELEASE FOR PROD.	5-29-68	Ø	R.G.	
	A	DIM. CHANGES	7/14/69	19503	GE	TKD F89

THE TECHNICAL MATERIEL CORPORATION
MAMARONECK NEW YORK



TO BE STAMPED ON XFMR IN WHITE

NOTES:
MFG. IN ACCORDANCE WITH/MIL-27A
EXCEPT MIL-27A SHALL NOT APPEAR ON
CASE & QUALIFICATION TESTING IS NOT
REQUIRED



SPECIFICATIONS:
ELECTRICAL
VOLTAGE-(PRI, 208VAC)(7500VDC)
FREQUENCY - 60CPS
PHASE - 3Ø
INSULATION TEST VOLTAGE
CURRENT - 1.5 AMPS, NEUTRAL .2 AMPS

MECHANICAL
CASE - OPEN FRAME
FINISH - S115 SMOOTH GRAY
ENAM. EXCEPT TERMINALS
DIMENSIONS - SEE PICTORIAL
TERMINALS - 1/4-20 THREADS
TOL. RANGE - 1/32 UNLESS
OTHERWISE SPECIFIED

STAMPING
ACCORDING TO TMC SPEC S727
TERMINALS - TO BE STAMPED
WHITE
SCHEMATIC - TO BE PLACED AS
SHOWN
BLACK GOTHIC LETTERING &
LIVE WORK

REQ'D	ITEM	PART NUMBER	DESCRIPTION	SYM.
BUDETTI LIST OF MATERIAL				
THE TECHNICAL MATERIEL CORP. MAMARONECK, NEW YORK				
TRANSFORMER, POWER STEP-UP				
SIZE	CODE IDENT. NO.	DWG NO.	ISSUE	
B	82679	TF 361	A	
SCALE-NONE			SHEET	OF

QTY / UNIT	MODEL USED ON	ASS'Y NO.
1	GPT-10KRL	
APPLICATION		
	CODE	S401-3d(8070)

DECIMALS	FRACTIONS	MECH. DES.	DATE
.X ± .05	1/64	<i>[Signature]</i>	5-29-68
.XX ± .01	TOLS. ANGLES	<i>[Signature]</i>	5-7-68
.XXX ± .005	0° - 30'	<i>[Signature]</i>	5-7-68
MATERIAL		<i>[Signature]</i>	12-68
FINISH		AS NOTED	

UNLESS OTHERWISE SPECIFIED
DIMENSIONS ARE IN INCHES
AND INCLUDE CHEMICALLY APPLIED
OR PLATED FINISHES

NOTICE TO PERSONS RECEIVING THIS DRAWING
THE TECHNICAL MATERIEL CORPORATION claims proprietary right in the material
disclosed hereon. This drawing is issued in confidence for engineering information only
and may not be reproduced or used to manufacture anything shown hereon without
permission from THE TECHNICAL MATERIEL CORPORATION to the user. This drawing is
loaned for mutual assistance and is subject to recall at any time.