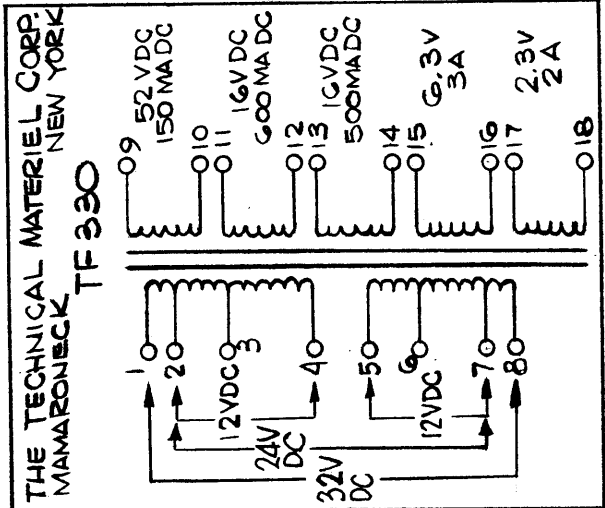


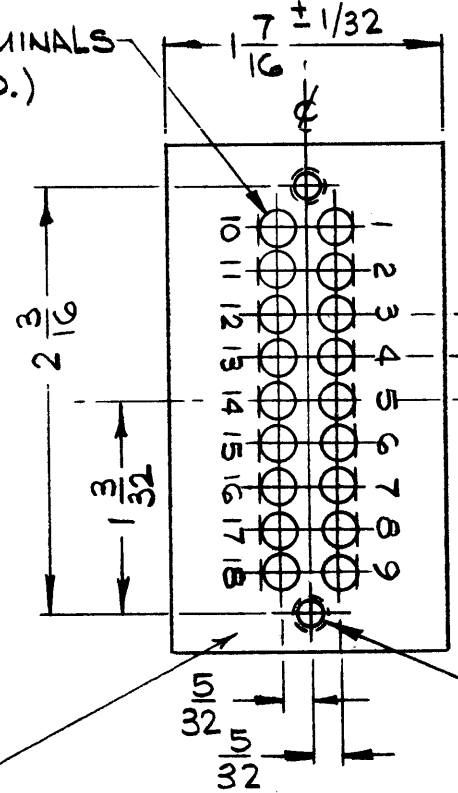
TF330

| REVISIONS |                                 |         |            |       |      |           |
|-----------|---------------------------------|---------|------------|-------|------|-----------|
| SYM       | DESCRIPTION                     | DATE    | E.M.N. NO. | DRAFT | CHKD | APPD      |
| Ø         | ORIGINAL RELEASE FOR PRODUCTION | 10-2-67 | Ø          | R.G.  |      | <i>HA</i> |

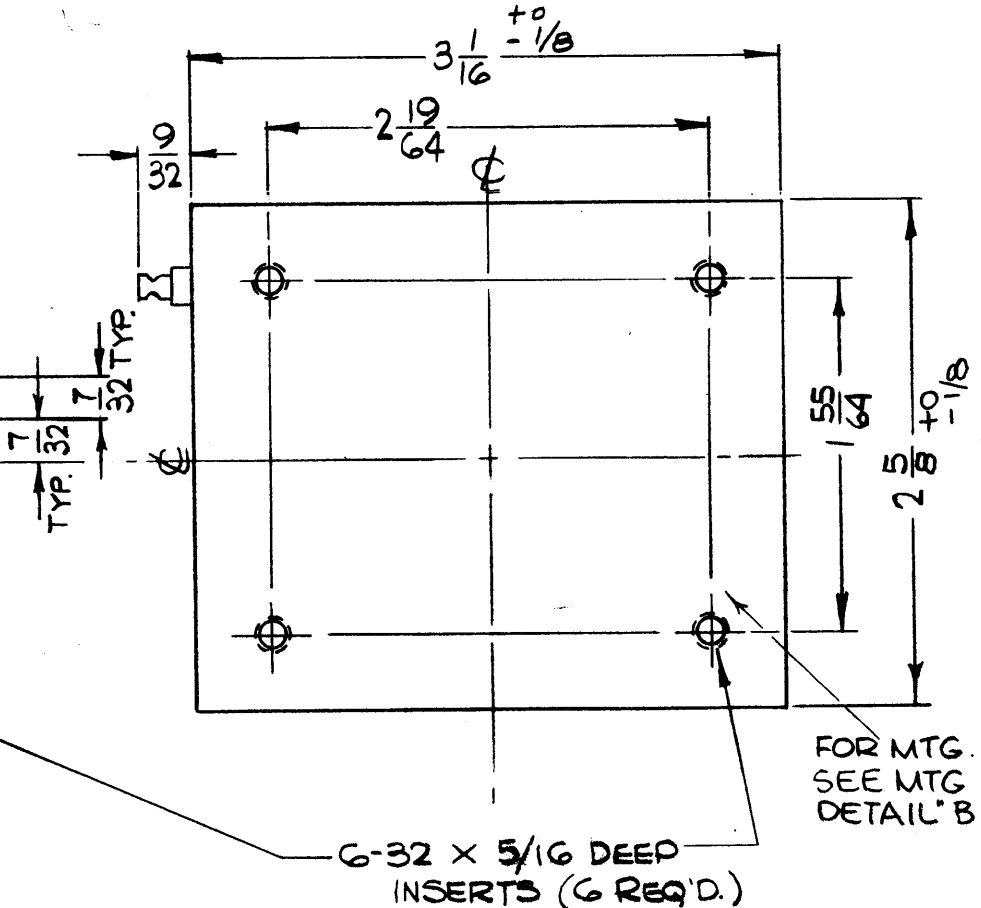
NOTE - MTG DETAILS SHOWN ABOVE ARE ALTERNATE, EITHER ONE CAN BE USED.



3/16 DIA. TERMINALS (18 REQ'D.)



FOR MTG. SEE MTG. DETAIL "A"



FOR MTG. SEE MTG. DETAIL "B"

- ELECTRICAL SPECIFICATIONS**
- TRANSFORMER, L.V. POWER
  - COIL DATA: PRIMARY WINDING: SEE PICTORIAL  
SECONDARY WINDING: SEE PICTORIAL
- MECHANICAL SPECIFICATIONS**
- CASE DATA: A - HERMETICALLY SEALED  
B - RECTANGULAR STEEL CASE, MIL TYPE  
C - BODY DIMENSIONS: 1 7/16 WIDE  
2 5/8 LONG  
3 1/16 HIGH
  - MOUNTING DATA:  
A - MOUNTING METHOD: STUD  
B - MOUNTING DIMENSIONS: (4) 6-32 x 5/16 DEEP INSERTS ON 1-55/64 x 2-19/64 CENTERS (OR) (2) 6-32 x 5/16 DEEP INSERTS ON 2-3/16 CENTERS.
  - TERMINAL DATA: A - (18) TERMINALS  
B - SPHERE #T-170-E-153
  - FINISH: SMOOTH GRAY ENAMEL (TMC SPEC. S115) EXCEPT TERMINAL END
  - MARKING: METAL STAMP TERMINALS 1 THRU 18 AS SHOWN. MARK TOP AS SHOWN PER TMC SPEC. S727.
- TEST VOLTAGE: PRI.: 300V  
SEC.: 500V

| REQ'D.  | ITEM | PART NUMBER | DESCRIPTION  | SYMBOL  |
|---|------|-------------|--|---|
| POSE LIST OF MATERIAL   |      |             |  |   |
| MATERIAL  |      |             | THE TECHNICAL MATERIEL CORP.<br>MAMARONECK, NEW YORK   |   |
| FINISH  |      |             | TITLE<br>TRANSFORMER, L.V. POWER   |   |
| UNLESS OTHERWISE SPECIFIED<br>DIMENSIONS ARE IN INCHES AND INCLUDE<br>CHEMICALLY APPLIED OR PLATED FINISHES |      |             | DRAWN <i>H. AUSTIN</i> DATE 12-27-65<br>CHECKED <i>[Signature]</i> DATE 1-6-66<br>ELECT. DES. <i>[Signature]</i> DATE 1-6-66<br>MECH. DES. <i>[Signature]</i> DATE | FINAL APPROVAL <i>[Signature]</i> DATE<br>TF 330<br>SHEET |
| DECIMALS<br>.X ± .05<br>.XX ± .01<br>.XXX ± .005  |      |             | FRACTIONS<br>± 1/64<br>ANGLES<br>± 0° 30'  | REV. LTR.   |

|           |               |               |
|-----------|---------------|---------------|
| TPSG-1    |               | ASS'Y. NO.    |
| QTY./UNIT | MODEL USED ON |               |
| SCALE     | CODE          | S401-30(7023) |

THE CONTENTS OF THIS DRAWING ARE THE EXCLUSIVE PROPERTY OF THE TECHNICAL MATERIEL CORP. ITS UNAUTHORIZED USE OR REPRODUCTION IN WHOLE OR IN PART IS STRICTLY FORBIDDEN.

NOTES