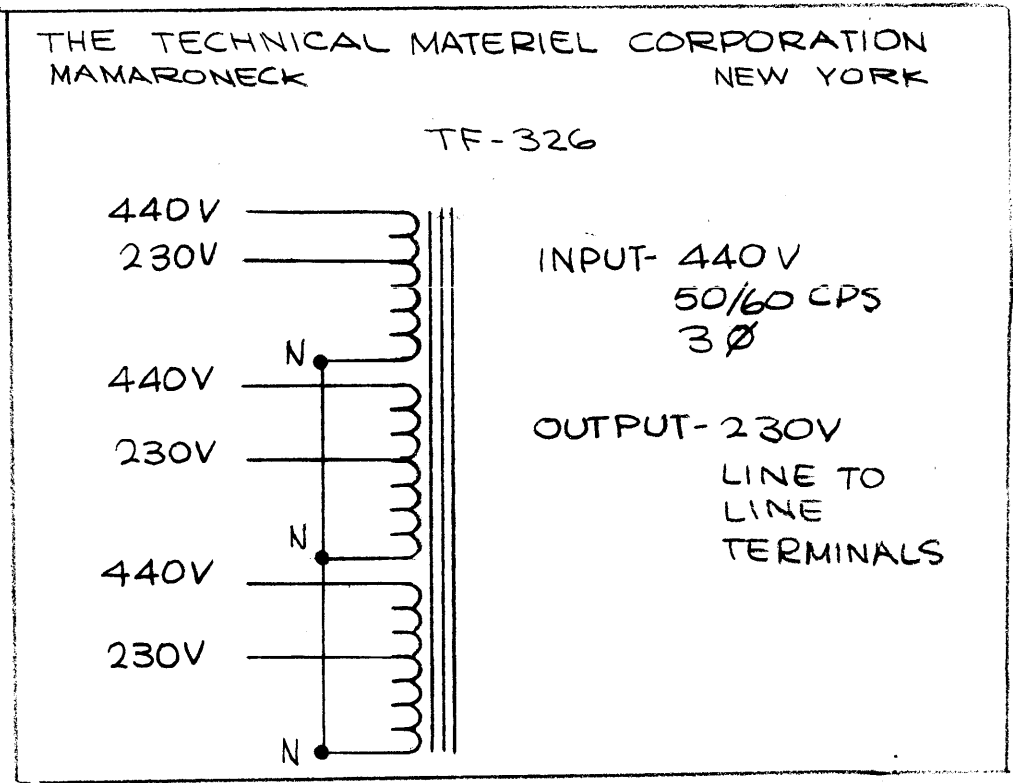
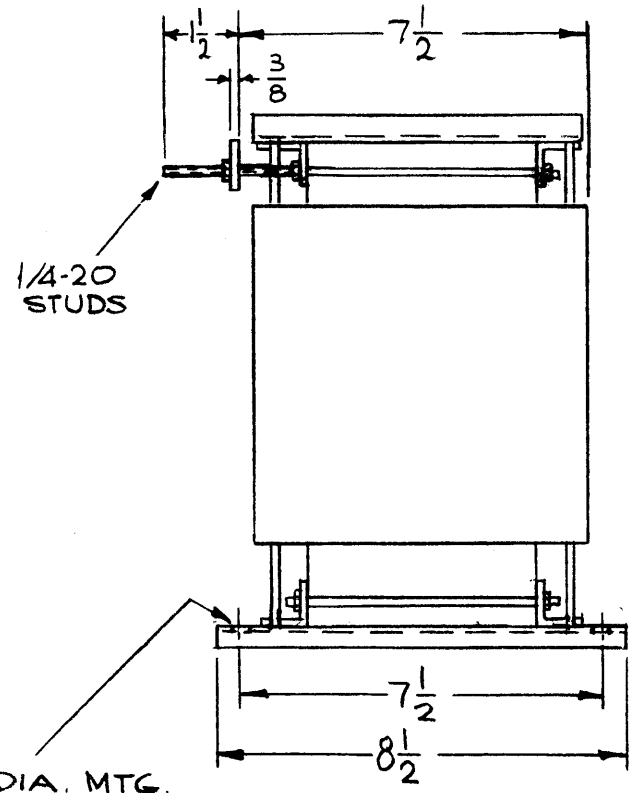
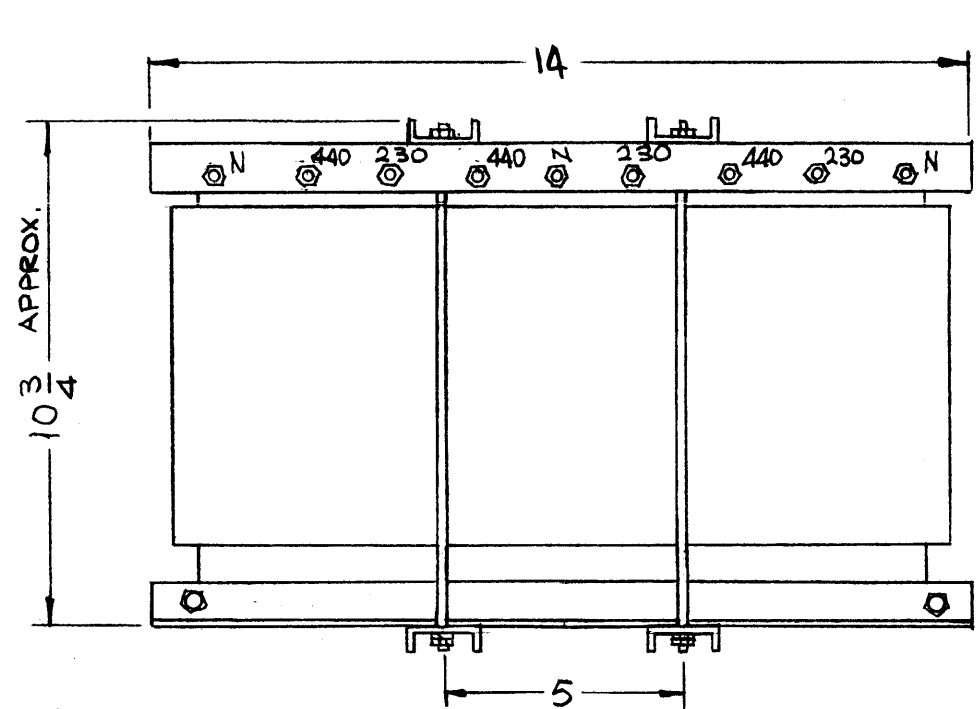


TF 326 A

REVISIONS						
SYM	DESCRIPTION	DATE	E.M.N. NO.	DRAFT	CHKD	APPD
Ø	ORIGINAL RELEASE FOR PRODUCTION	4-29-66	Ø	WJW		
A	ADD DIM. NOTE . CHG'D 17" To 14"	11/3/66	17181	RME	JCS	



**SPECIFICATIONS**

- WINDING DATA**
- 1- INPUT - 440V 50/60 CPS, 3PH
  - 2- CURRENT RATING, 40A - RMS EACH PHASE
  - 3- TAPS - EACH WINDING TAPPED AT 230V.
  - 4- BREAKDOWN TEST VOLTAGE 2000V AC.
  - 5- CASE - OPEN FRAME.
  - 6- FINISH - S115 SMOOTH GREY ENAMEL EXCEPT TERMINAL BOARD & TERMINALS.

**NOTE:** MFG - IN ACCORDANCE W/MIL-T-27A EXCEPT MIL-7-27A SHALL NOT APPEAR ON CASE AND QUALIFICATION TESTING IS NOT REQUIRED.

**NOTE:**  
DIMENSIONS FOR REF. ONLY

SCHMATIC-TO BE STAMPED ON XFMR. LETTERING (GOTHIC) AND LINES, BLACK PER TMC SPECIFICATION S727.

**NOTES**

1	TSTE-10K	API31
Q'TY./UNIT	MODEL USED ON	ASS'Y. NO.
SCALE 1/4"=1"	CODE C	S401-30 (6382)

THE CONTENTS OF THIS DRAWING ARE THE EXCLUSIVE PROPERTY OF THE TECHNICAL MATERIEL CORP. ITS UNAUTHORIZED USE OR REPRODUCTION IN WHOLE OR IN PART IS STRICTLY FORBIDDEN.

REQ'D.	ITEM	PART NUMBER	DESCRIPTION	SYMBOL
F. BUDETTI LIST OF MATERIAL				
MATERIAL		THE TECHNICAL MATERIEL CORP. MAMARONECK, NEW YORK		
FINISH		TITLE XFMR, POWER, FIXED		
UNLESS OTHERWISE SPECIFIED DIMENSIONS ARE IN INCHES AND INCLUDE CHEMICALLY APPLIED OR PLATED FINISHES		DRAWN SRC	DATE 4-1-65	FINAL APPROVAL [Signature]
DECIMALS .X ± .05 .XX ± .01 .XXX ± .005		CHECKED [Signature]	DATE 4/28/66	DATE 4/29/66
FRACTIONS ± 1/64 ANGLES ± 0° 30'		ELECT. DES. [Signature]	DATE 4/29/66	DATE
TOLERANCES		MECH. DES.	DATE	
			TF 326	A
			SHEET	REV. LTR.