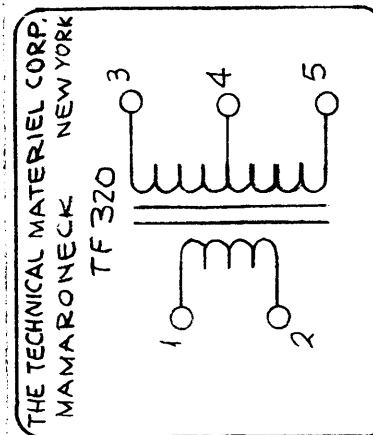
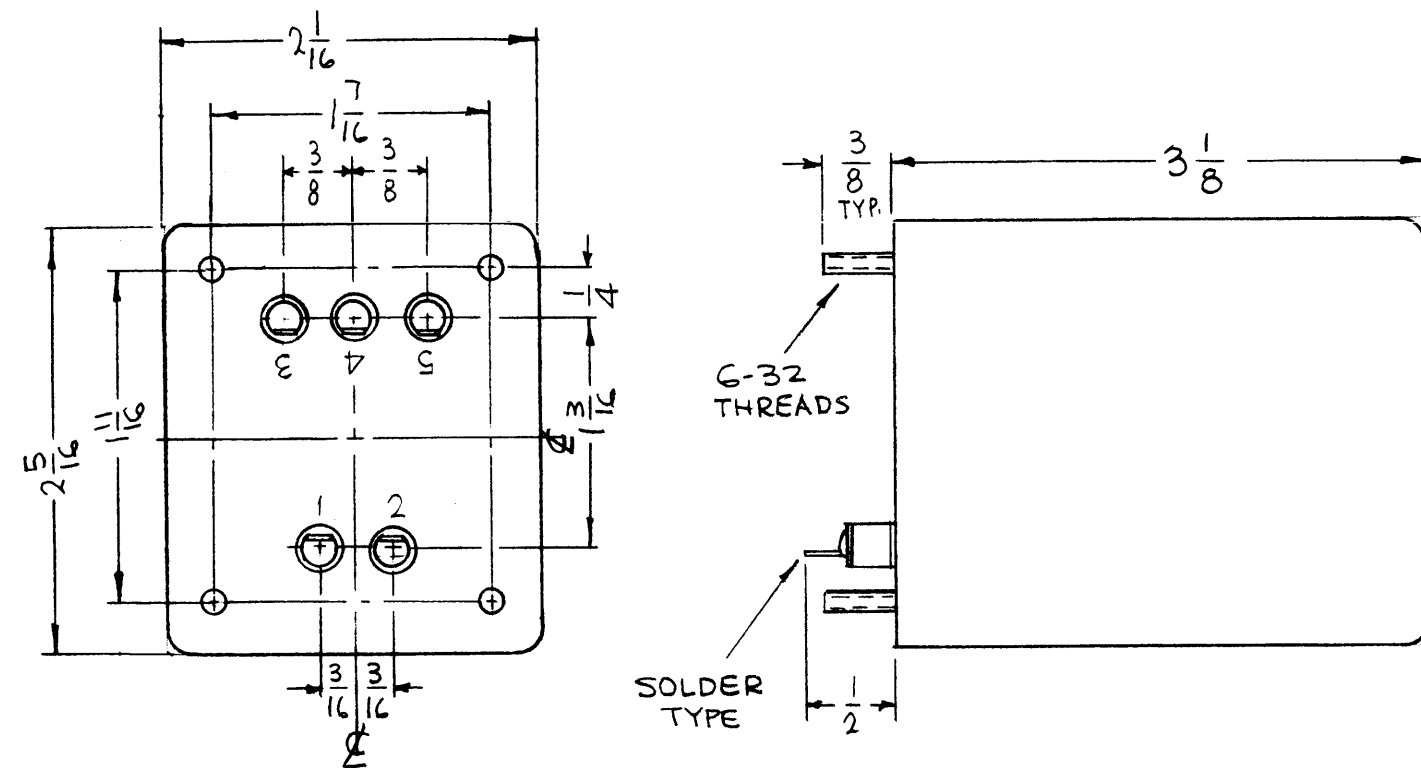


MOUNTING
DETAIL

TF 320

REVISIONS

SYM	DESCRIPTION	DATE	E.M.N. NO.	DRAFT	CHKD	APPD
X1	2 5/16 W 2 9/16, 3 1/8 W 2 3/4, ELE. MECH. SPEC. REV., MTG. DET. & MEC. NO. ADDED	12-1-65		Jc		
Ø	ORIGINAL RELEASE FOR PRODUCTION!	12-2-65				



-ELECTRICAL SPECIFICATIONS-

- TRANSFORMER, RF, INPUT
- COIL DATA:
PRIMARY WINDING: TERM. 1,2 50 ~ IMPEDENCE
SECONDARY WINDING: TERM. 3,5 200 ~ IMPEDENCE

-MECHANICAL SPECIFICATIONS-

- CASE DATA:
A. HERMETICALLY SEALED
B. RECTANGULAR STEEL CASE, MIL TYPE Y Y
C. BODY DIMENSIONS: 2-5/16 LONG
2-1/16 WIDE
3-1/8 HIGH
- MOUNTING DATA:
A. MOUNTING METHOD: STUD
B. MOUNTING DIMENSIONS: (4) 6-32 STUDS ON 1-7/16 X 1-11/16 CENTERS 3/8 HIGH
- TERMINAL DATA:
A. (5) TERMINALS
B. SOLDER TYPE 1/2 HIGH INSULATED
- FINISH:
SMOOTH GRAY ENAMEL (TMC SPEC. S115) EXCEPT TERMINAL END.
- MARKING:
METAL STAMP TERMINALS 1 THRU 5 AS SHOWN
MARK BOTTOM AS SHOWN PER TMC SPEC. S727.

TEST VOLTAGE 1500 VOLTS. (DC)

MANUFACTURE IN ACCORDANCE WITH MIL-SPECS .27A EXCEPT MIL-SPECS SHALL NOT APPEAR ON CASE & TESTING QUALIFICATIONS NOT REQ.

NOTES

1	VLLA-1	ASS'Y. NO.
Q'TY./UNIT	MODEL USED ON	
SCALE	CODE	S40: 30(6635)
	A	

THE CONTENTS OF THIS DRAWING ARE THE EXCLUSIVE PROPERTY OF THE TECHNICAL MATERIEL CORP. ITS UNAUTHORIZED USE OR REPRODUCTION IN WHOLE OR IN PART IS STRICTLY FORBIDDEN.

REQ'D.	ITEM	PART NUMBER	DESCRIPTION	SYMBOL
F. BUDETTI LIST OF MATERIAL				
MATERIAL			THE TECHNICAL MATERIEL CORP. MAMARONECK, NEW YORK	
FINISH			TITLE XFMR, RF INPUT	
UNLESS OTHERWISE SPECIFIED DIMENSIONS ARE IN INCHES AND INCLUDE CHEMICALLY APPLIED OR PLATED FINISHES			DRAWN <i>[Signature]</i>	DATE 11-12-65
DECIMALS .X ± .05 .XX ± .01 .XXX ± .005			CHECKED <i>[Signature]</i>	DATE 12-1-65
FRACTIONS ± 1/64 ANGLES ± 0° 30'			ELECT. DES. <i>[Signature]</i>	DATE
TOLERANCES			MECH. DES.	DATE
			M/L 28	12/2/65
			FINAL APPROVAL <i>[Signature]</i> TF 320	
			DATE 12/2/65	
			SHEET	
			REV. LTR.	