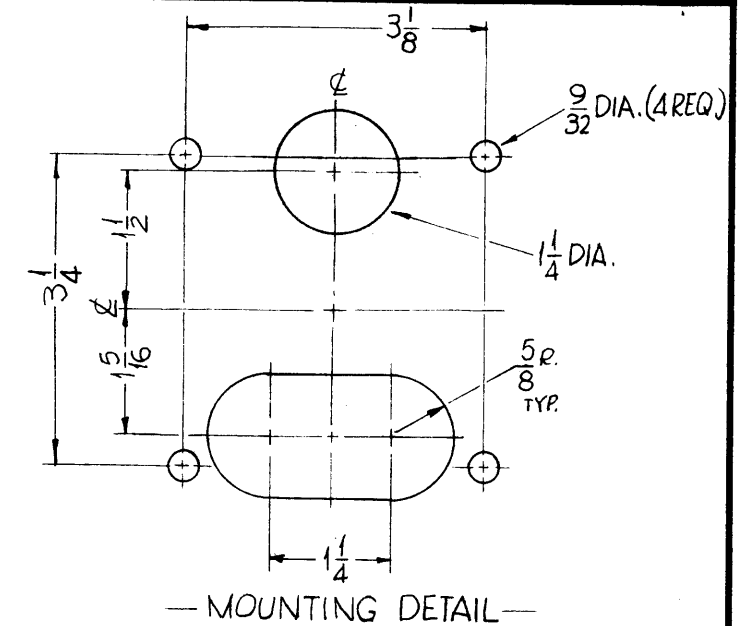
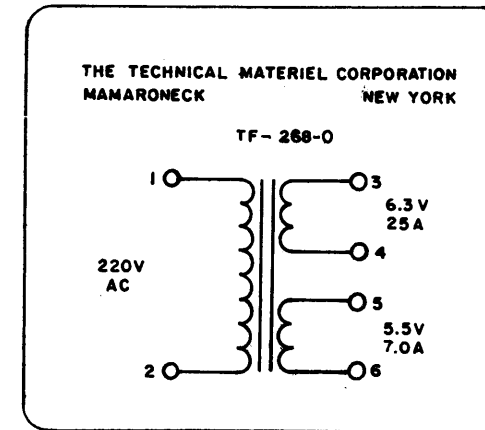
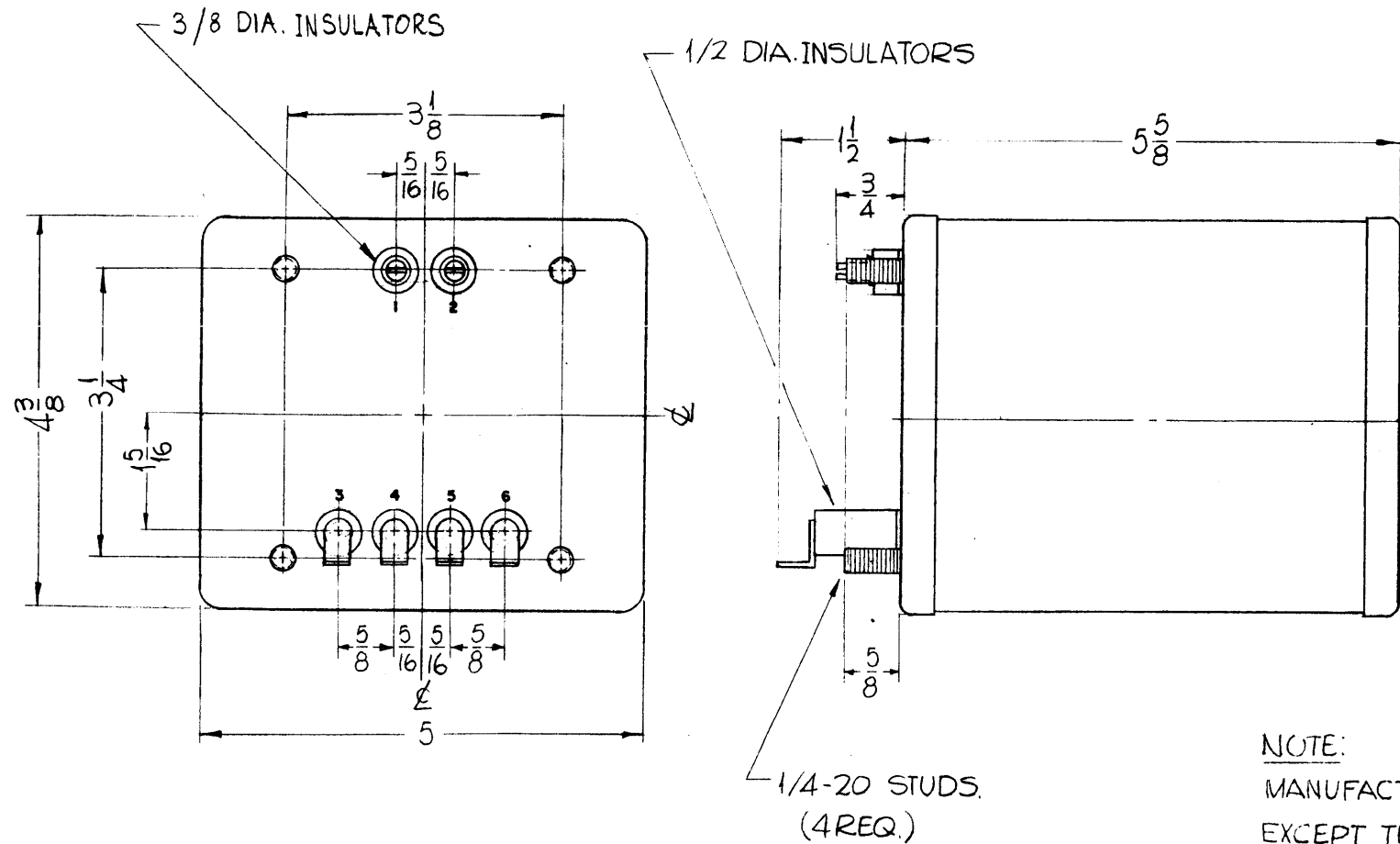


STANDARD DRAWING

TF-268

THE CONTENTS OF THIS DRAWING ARE THE EXCLUSIVE PROPERTY OF THE TECHNICAL MATERIEL CORP. ITS UNAUTHORIZED USE OR REPRODUCTION IN WHOLE OR IN PART IS STRICTLY FORBIDDEN.



ELECTRICAL SPECIFICATIONS:
 PRIMARY - 220 V AC
 SECONDARY - 6.3 V AT 25 AMPS
 5.5 V AT 7 AMPS

BREAKDOWN TEST:
 TEST VOLTAGE - 10000
 TERM. 6 TO CASE
 TERM. 4 TO CASE
 TERM. 6 TO TERM. 1
 TERM. 4 TO TERM. 1

MECHANICAL SPECIFICATIONS:
 CASE - RECTANGULAR, STEEL, MIL. TYPE YY, HERMETICALLY SEALED.
 FINISH - TMC SMOOTH GREY ENAMEL (S-115) EXCEPT TERMINAL END.
 STAMPING - TERMINALS SHALL BE METAL STAMPED. OPPOSITE END SHALL BE STAMPED IN BLACK GOTHIC.
 TERMINALS - STYLE OPTIONAL

NOTE:
 MANUFACTURED IN ACCORDANCE WITH MIL SPEC T-27-A EXCEPT THAT MIL SPEC T-27-A SHALL NOT APPEAR ON CASE AND QUALIFICATION TESTING IS NOT REQ'D.

A	"TERMINALS" ADDED TO MECH. SPEC.	7-19-61	16589	RNE	JCB	INK
O	ORIGINAL RELEASE FOR PRODUCTION	3-3-64		AM		
X1	INSULATOR GOT SHORTENED	2-21-64				
SYM	DESCRIPTION	DATE	CH. NO.	DRAFTS	CHECKER	ENG. APP.
UNLESS OTHERWISE SPECIFIED:		SCALE: 1:2				
DIMENSIONS ARE IN INCHES		MAXIMUM ALLOWABLE TOLERANCES HAVE BEEN DETERMINED AND ANY DEVIATIONS WILL BE CAUSE FOR REJECTION. REMOVE ALL BURRS AND SHARP EDGES				
TOLERANCES ON FRACTIONS ± 1/64 DECIMALS ± .005 ANGLES ± 1/2°						

1	GPT-200K		AX-398	6-28-63
REQ. PER UNIT	MODEL	SECTION	ASS'Y. NO.	DATE

REQ.	ITEM	PART NO.	F. BUDETTI	DESCRIPTION	SYMBOL
				THE TECHNICAL MATERIEL CORP. MAMARONECK, NEW YORK	
				TRANSFORMER, FILAMENT	
			SRE	JCB	RDE
			DRAWN	CHECKED	FINAL APPROVAL
			JCB	aa	TF-268
			ELEC. DES. APP.	MECH. DES. APP.	A