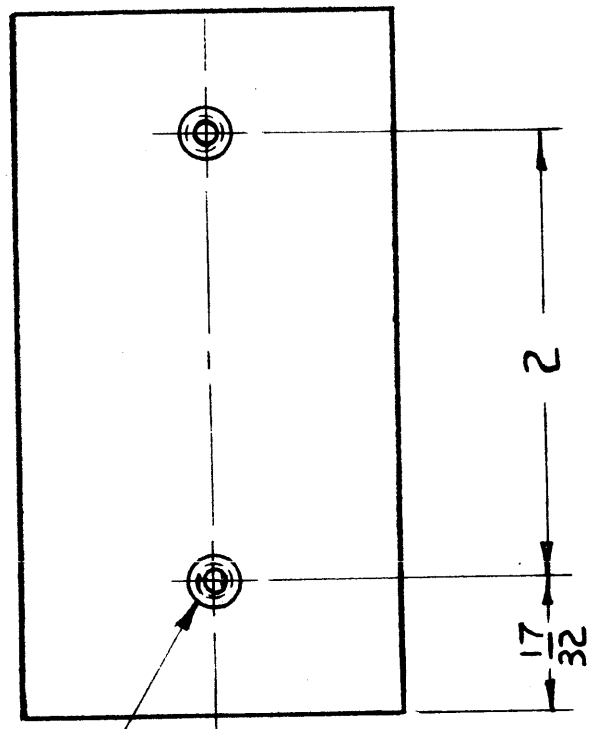
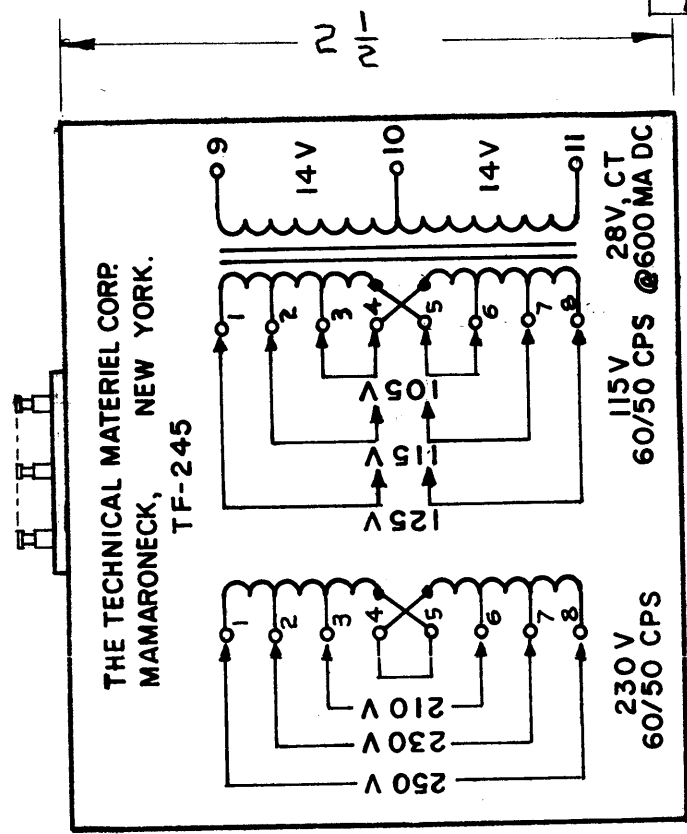
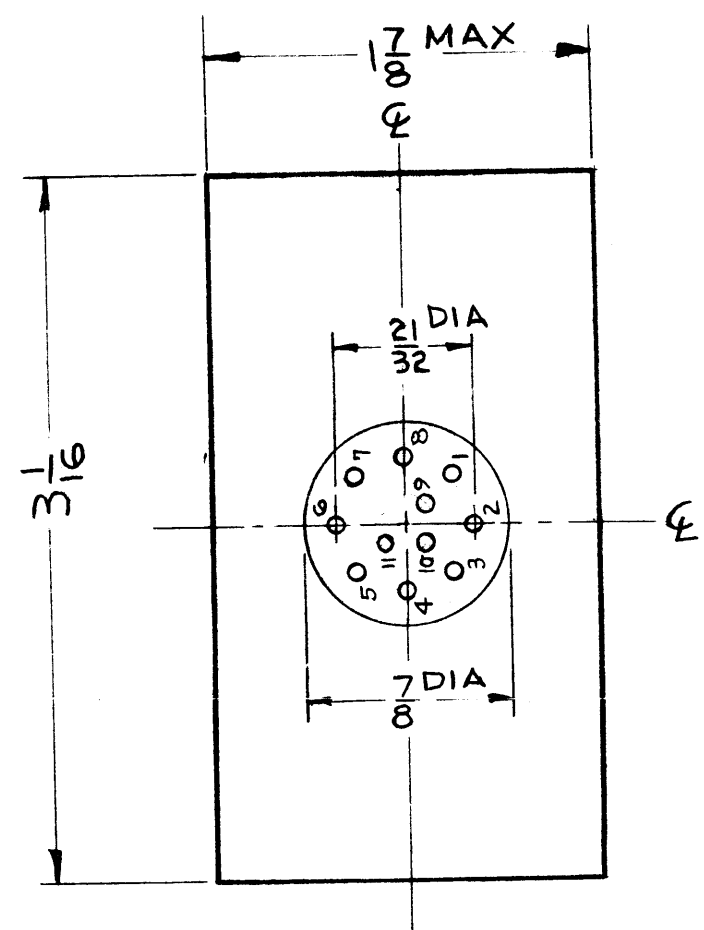


REVISIONS						
SYM	DESCRIPTION	DATE	E.M.N. NO.	DRAFT	CHKD	APPRO
A	ADDED NOTE "5/16 MINIMUM THREAD DEPTH"	3-14-63	B53B	RC	JW	JWS
B	ON HEADER, TERMINAL NUMBERS RENUMBERED	5-14-63	8984		JWS	JWS



BLACK GOTHIC LETTERING AS SHOWN

6-32 INSERT, 5/16 MINIMUM THREAD DEPTH 2 REQ'D

ELECTRICAL SPECIFICATIONS

PRIMARY: 115V/230V 50/60 CPS
 SECONDARY: 28V CENTER TAP @ 600 MA DC (INTO FULL WAVE RECTIFIER 500 UF CAPACITOR INPUT FILTER)
 INSULATION: 1500V TO ALL WINDINGS
 TERMINALS: INSULATED

MECHANICAL SPECIFICATIONS

CASE: HERMETICALLY SEALED, STEEL
 FINISH: S115 TMC SMOOTH GREY ENAMEL, EXCEPT TERMINAL END

NOTE

MANUFACTURED IN ACCORDANCE WITH MIL SPEC T-27-A EXCEPT THAT MIL SPEC T-27-A SHALL NOT APPEAR ON CASE AND QUALIFICATION TESTING IS NOT REQUIRED.

REQ'D.	ITEM	PART NUMBER	DESCRIPTION	SYMBOL
STRUMER LIST OF MATERIAL				
MATERIAL			THE TECHNICAL MATERIEL CORP. MAMARONECK, NEW YORK	
SEE MECH SPEC				
FINISH			TITLE	
SEE MECH SPEC			TRANSFORMER, POWER, STEP DOWN	
UNLESS OTHERWISE SPECIFIED DIMENSIONS ARE IN INCHES AND INCLUDE CHEMICALLY APPLIED OR PLATED FINISHES			DRAWN <i>JWS</i>	DATE 11-30-62
			CHECKED <i>JWS</i>	DATE 12-12-62
			ELECT. DES. <i>JWS</i>	DATE 12-12-62
			MACH. DES. <i>JWS</i>	DATE 12-12-62
DECIMALS .X ± .05 .XX ± .01 .XXX ± .005			FINAL APPROVAL <i>BP</i>	
FRACTIONS ± 1/64 ANGLES ± 0° 30'			TF-245	
TOLERANCES			SHEET	
			REV. LTR. B	

1	SPU-2	ASS'Y. NO.
Q'TY./UNIT	MODEL USED ON	
NO SCALE	CODE	S 401-30
THE CONTENTS OF THIS DRAWING ARE THE EXCLUSIVE PROPERTY OF THE TECHNICAL MATERIEL CORP. ITS UNAUTHORIZED USE OR REPRODUCTION IN WHOLE OR IN PART IS STRICTLY FORBIDDEN.		

NOTES