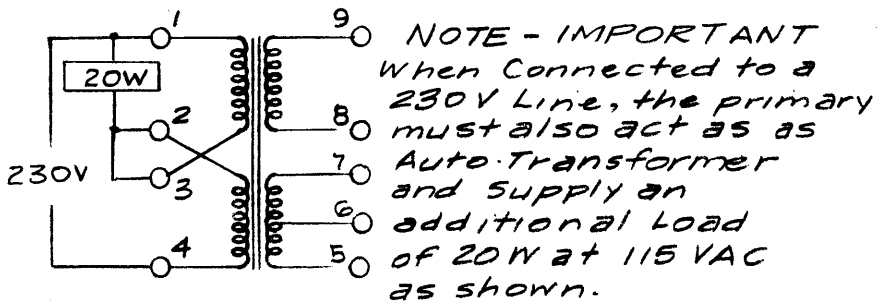
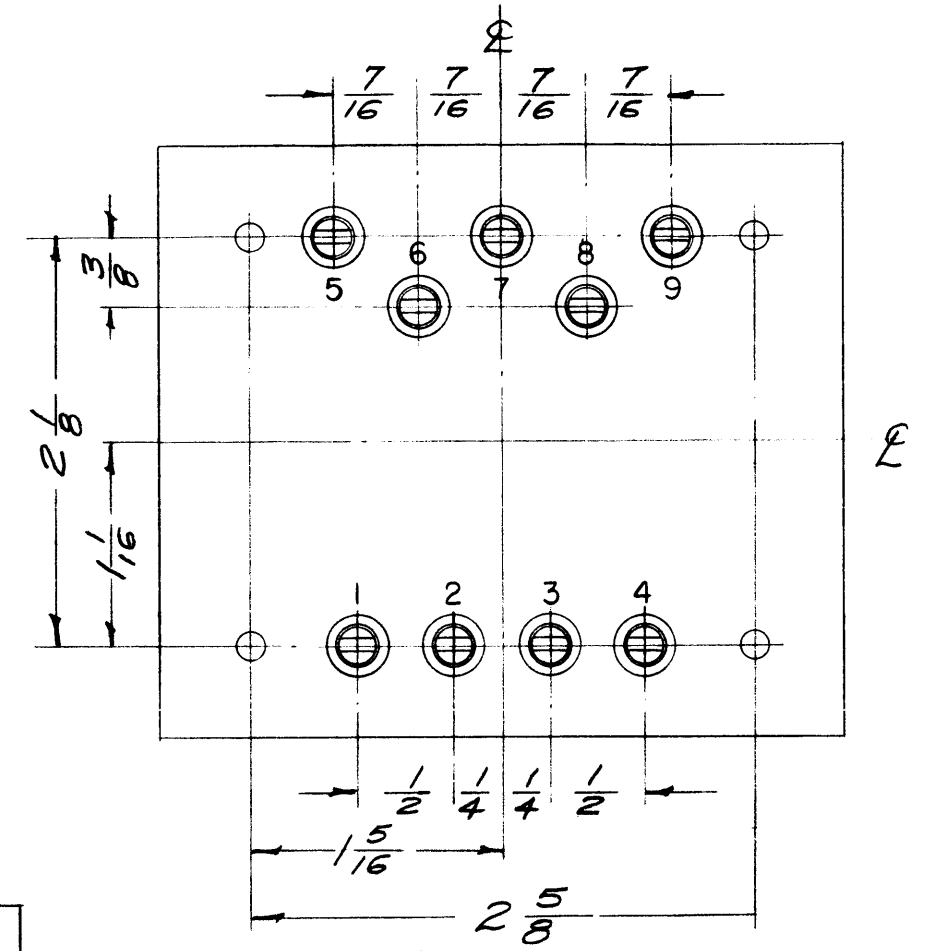
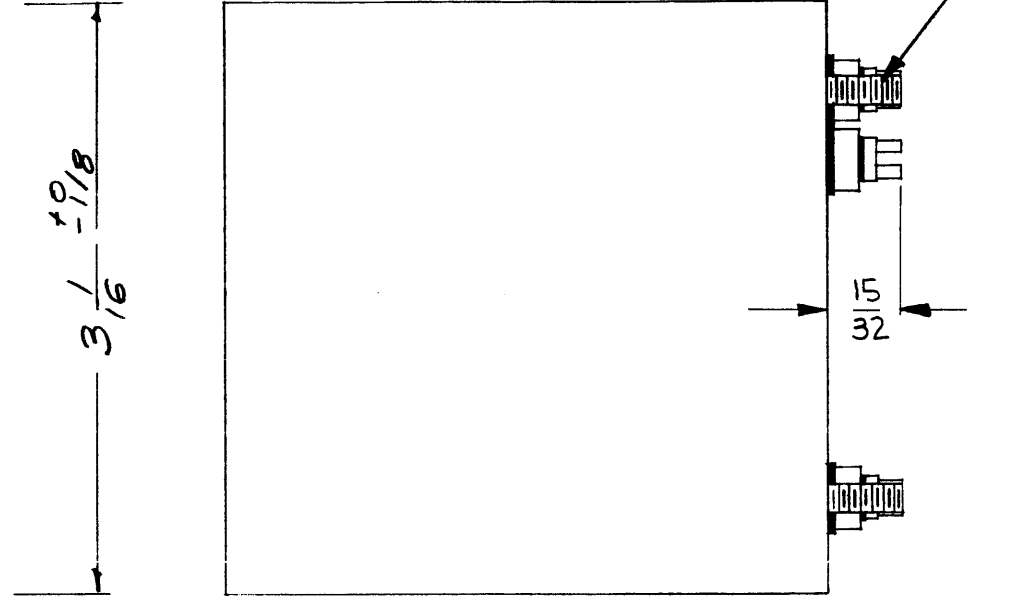
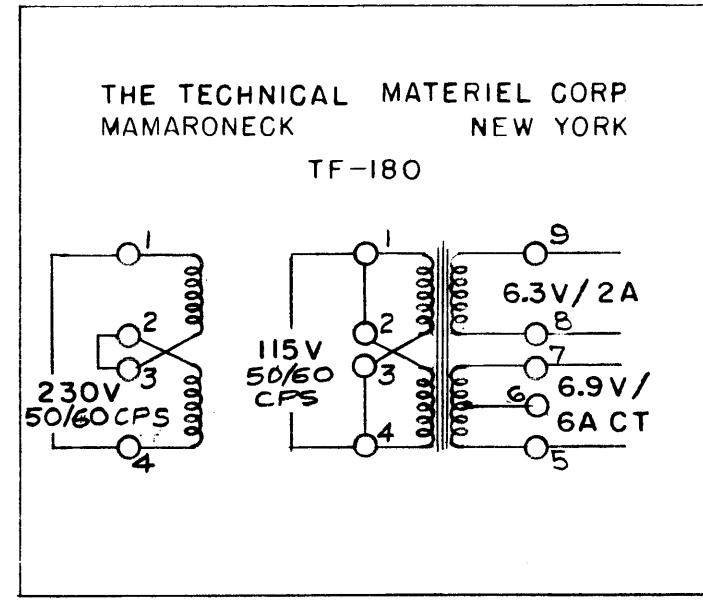


TF-180 C



ELECTRICAL SPECIFICATIONS:
Primary - 115/230 VAC, 50/60 CFS, Single Phase
Secondary - 6.3V/2A & 6.9V/6A, CT.
Insulation - Winding shall be insulated for 1500V.

MECHANICAL SPECIFICATIONS:
Case - Rectangular Steel, MIL Type JB Modified, Hermetically Sealed.
Finish - TMC Smooth Grey Enamel (S115) Except terminal End.
Size - 3 1/16 x 3 9/16 x 3 high, excluding studs and terminals
Stamping - Terminals shall be metal stamped 1 to 9 as shown. Opposite end shall be rubber stamped in black as shown.

NOTE: MANUFACTURED IN ACCORDANCE WITH MIL SPEC T-27-A EXCEPT THAT MIL SPEC T-27-A SHALL NOT APPEAR ON CASE AND QUALIFICATION TESTING IS NOT REQUIRED.

C	1	ADDED 15/32 DIM. 4 REQ'D DELETED 3/8 ± 1/16 DIM	9/26/63	10055	RD	JAY	WJS
B	2	TERM NOS 5 THRU 9 WERE REVERSED 3/8 DIM WAS 3 ± 3/16	6-63	9180	R	JAY	WJS
A	1	NOTE ADDED (MIL T-27-A)	6-29-60	2572	RD		HS
ISSUE	ITEM	CHANGED FROM	DATE	CH. NO.	DRAFTS	CHECKER	ENG. APP.
TOLERANCES			SCALE: FULL				
DEC. DIM. ±			MAXIMUM ALLOWABLE TOLERANCES HAVE BEEN DETERMINED AND ANY DEVIATIONS WILL BE CAUSE FOR REJECTION. REMOVE ALL BURRS AND SHARP EDGES				
FRAC. DIM. ± 1/64							
ANGULAR DIM. ±							

1	RFA-1	PAL-350	7/10/58
REQ. PER UNIT	MODEL	PROJECT NO.	ASS'Y. NO.
USED ON			

REQ. ITEM	PART NO.	DESCRIPTION	SYMBOL
		THE TECHNICAL MATERIEL CORP. MAMARONECK. NEW YORK	
STOCK SIZE		TRANSFORMER, POWER,	
MATERIAL		STEP DOWN	
		167/10/58	JAY
TYPE & TEMPER	HEAT TREAT. SPEC.	DRAWN	CHECKED
		WJS	A.J.J.
FINISH & SPEC. NO.		ELEC. DES. APP.	MECH. DES. APP.
		TF-180	