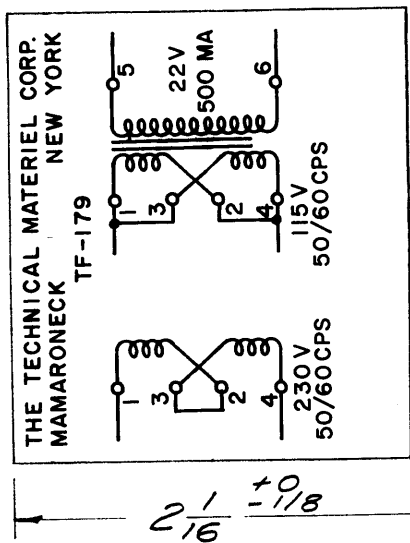
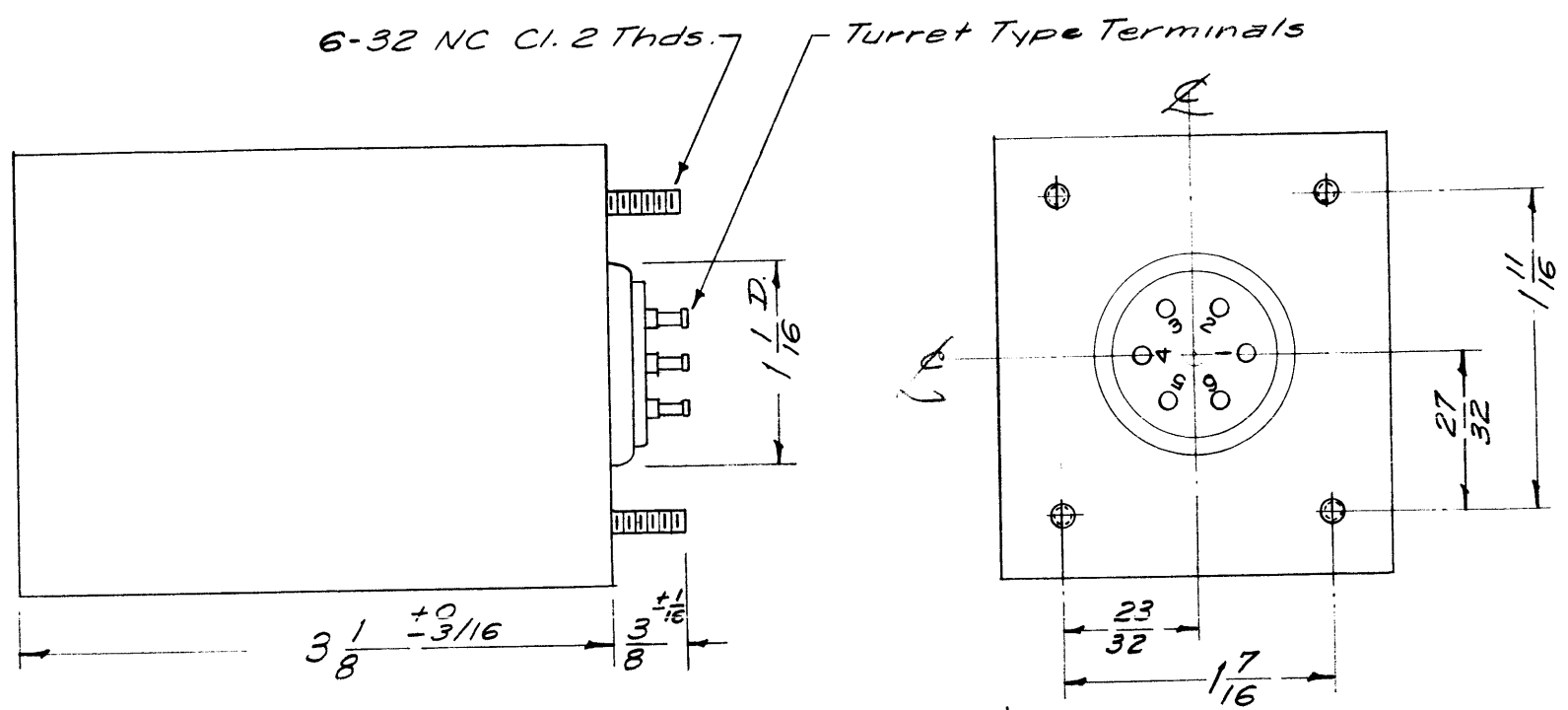


TF-179 B



2 5/16 ⁺⁰/_{-1/16}



NOTE: MANUFACTURED IN ACCORDANCE WITH MIL SPEC T-27-A EXCEPT THAT MIL SPEC T-27-A SHALL NOT APPEAR ON CASE AND QUALIFICATION TESTING IS NOT REQUIRED

ELECTRICAL SPECIFICATIONS:
 Primary - 115/230 VAC, 50/60 CPS, Single Phase.
 Secondary - 22 V. RMS at 500 MA. [for bridge rectified load]
 Insulation - Winding shall be insulated for 1500 V.

MECHANICAL SPECIFICATIONS:
 Case - MIL Type FA, hermetically sealed, steel.
 Finish - TMC Smooth Grey Enamel (5115), Except Terminal End.
 Size O/A - 2 1/16 x 2 5/16 x 3 1/8 high, excluding studs and terminals.
 Stamping - Terminals shall be metal stamped 1 to 6 as shown. Opposite end shall be rubber stamped as shown.

THE TECHNICAL MATERIEL CORPORATION claims proprietary right in the material disclosed hereon. This drawing is furnished in confidence for engineering information only and may not be reproduced or used to manufacture any item, in whole or in part, without permission from THE TECHNICAL MATERIEL CORPORATION to the user. This drawing is loaned for mutual assistance and is subject to recall at any time.

Property of:
 THE TECHNICAL MATERIEL CORPORATION
 MAMARONECK, NEW YORK

ISSUE	ITEM	CHANGED FROM	DATE	CH. NO.	DRAFTS	CHECKER	ENG. APP.
B	1	NOTE ADDED (MIL T-27A)	6-29-58	2572			
A	1	Redrawn - Electrically Same - Case & Mtg. Chgd.	6/24/58	1			

TOLERANCES: DEC. DIM. ± 1/64, FRAC. DIM. ± 1/64, ANGULAR DIM. ±

SCALE: Full

MAXIMUM ALLOWABLE TOLERANCES HAVE BEEN DETERMINED AND ANY DEVIATIONS WILL BE CAUSE FOR REJECTION. REMOVE ALL BURRS AND SHARP EDGES

REQ. PER UNIT	MODEL	PROJECT NO.	ASS'Y. NO.	DATE
1	A-1504			6-24-58

USED ON

REQ. ITEM	PART NO.	DESCRIPTION	SYMBOL
//		THE TECHNICAL MATERIEL CORP. MAMARONECK, NEW YORK	
//		TRANSFORMER, POWER, STEP-DOWN	
//		MATERIAL	
//	//	66-24-58	
//	//	TYPE & TEMPER	
//	//	HEAT TREAT. SPEC.	
//	//	FINISH & SPEC. NO.	

DRAWN: H.S.J. CHECKED: H.S.J. FINAL APPROVAL: H.S.J.

ELEC. DES. APP. MECH. DES. APP.

TF-179 B