

IF IT IS FOUND DESIRABLE TO CHANGE ANY TOLERANCE OR OTHER DETAIL SPECIFIED ON THIS DRAWING NOTIFY THE PURCHASER PROMPTLY.

**STANDARD DRAWING**

TF-163

MAXIMUM ALLOWABLE TOLERANCES HAVE BEEN DETERMINED AND DEVIATIONS WILL BE CAUSE FOR REJECTION.  
REMOVE ALL BURRS AND SHARP EDGES

REQ. PER UNIT

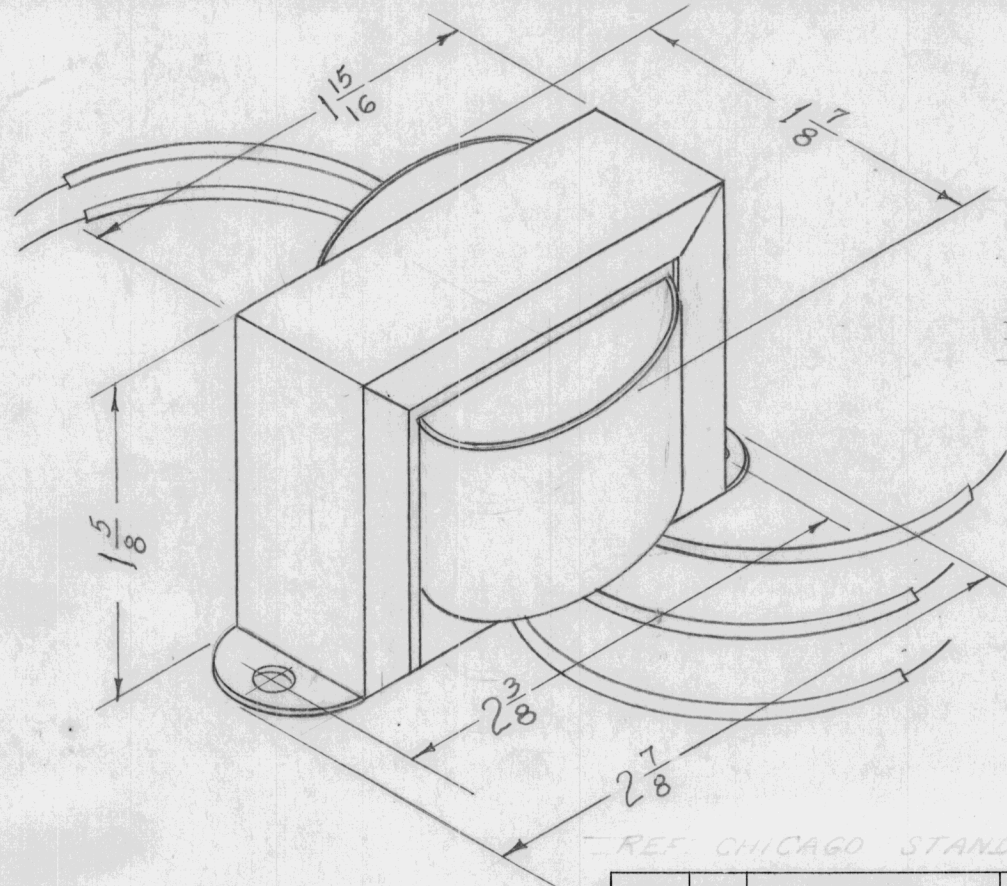
USED ON

MODEL

PROJECT NO.

ASS'Y. NO.

DATE



ELECTRICAL SPECIFICATION  
 PRIMARY: 117 V. 60~ - BLACK  
 SECONDARY: 6.3V @ 1.2A RED  
 CENTER TAP: YELLOW  
 INSULATION TEST: 2500V RMS.

REF CHICAGO STAND. TRANS. CORP. (STANCOR P-6134)

REQ.	ITEM	PART NO.	DESCRIPTION	SYMBOL
			<b>THE TECHNICAL MATERIEL CORP.</b>	
			MAMARONECK. NEW YORK	
			FILAMENT TRANSFORMER	

ISSUE	ITEM	CHANGED FROM	DATE	CN. NO.	DRAFTS	CHECKER	ENG. APP.
-------	------	--------------	------	---------	--------	---------	-----------

TOLERANCES		SCALE S401-157 (PG134)	C DRILL, PUNCH, COMMERCIAL STOCK SIZES AND MANUFACTURERS TOLERANCES ARE NOT INCLUDED.
ALL OTHERS	DEC. DIM. ±		
	FRAC. DIM. ±		
	ANGULAR DIM. ±		

TYPE & TEMPER		RB 4-7-55	WDE
DRAWN	ELEC. DES. APP.	meas	
CHECKED	FINAL APPROVAL		
		TF-163	
FINISH & SPEC. NO.			