

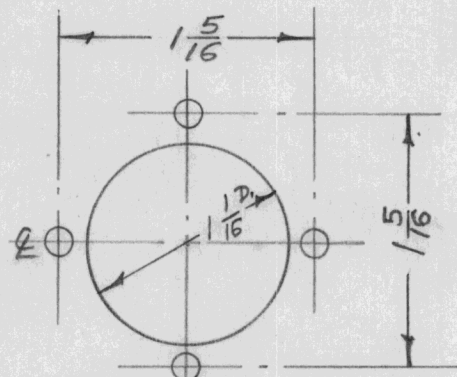
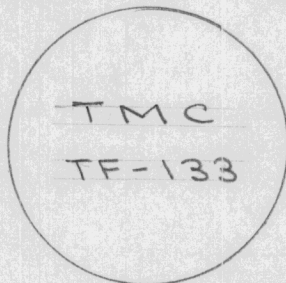
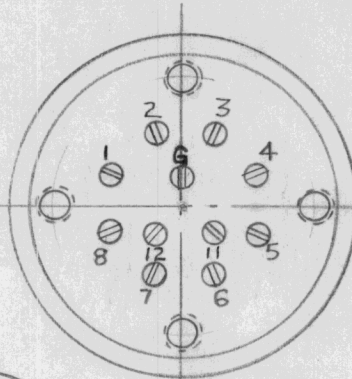
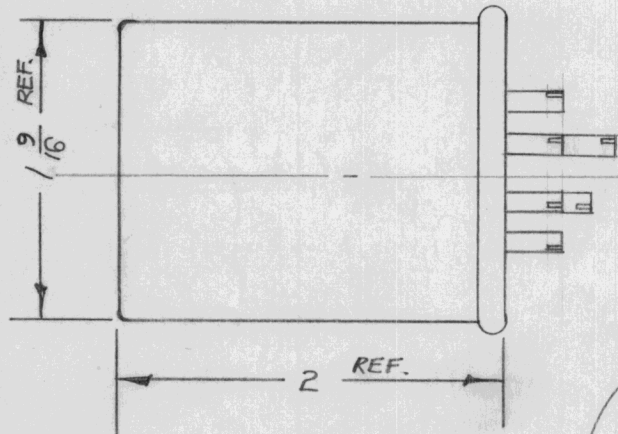
IF IT IS FOUND DESIRABLE TO CHANGE ANY TOLERANCE OR OTHER DETAIL SPECIFIED ON THIS DRAWING NOTIFY THE PURCHASER PROMPTLY.

TF-133 B

MAXIMUM ALLOWABLE TOLERANCES HAVE BEEN DETERMINED AND DEVIATIONS WILL BE CAUSE FOR REJECTION. REMOVE ALL BURRS AND SHARP EDGES

USED ON

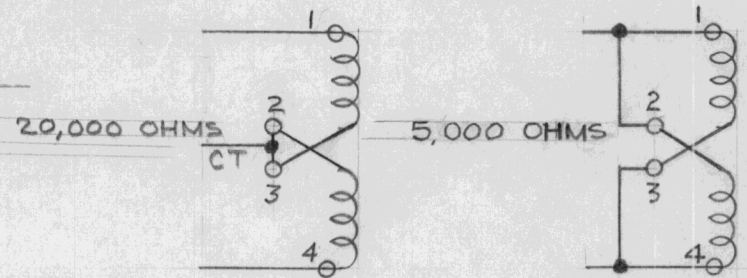
MODEL	PROJECT NO.	ASS'Y. NO.	DATE
RSM-1	170		10-7-53



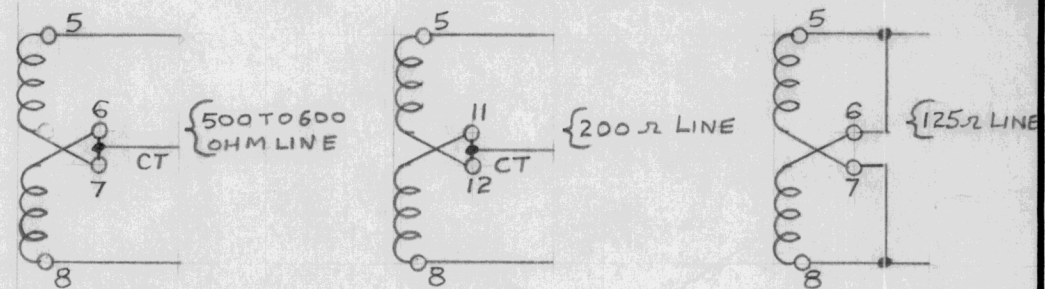
STAMP TOPAS SHOWN. 1/8 HIGH BLACK.

G = CORE & CASE

PRIMARY



SECONDARY



Elec. Spec. Response: ± 1 db 20-20,000 cps. 3 Watts output, 10 ma DC pri.

ISSUE	ITEM	CHANGED FROM	DATE	CN. NO.	DRAFTS	CHECKER	ENG. APP.
B	2	20,000 OHMS ADDED	7-19-53	2	SC	P.L.K.	ATT
	1	ELEC. SPEC. ADDED					
A	1	TMC No. ADDED	10-28-53	1	C.D.D.	V6	WSE

REQ.	ITEM	PART NO.	DESCRIPTION	SYMBOL
			THE TECHNICAL MATERIEL CORP. MAMARONECK. NEW YORK	
			AUDIO, OUTPUT TRANSFORMER	
			16 10-7-53	
			P.L.K. 10-7-53	
			G.T.O	
			TF-133	B

TOLERANCES	SCALE	DRILL, PUNCH, COMMERCIAL STOCK SIZES AND MANUFACTURERS TOLERANCES ARE NOT INCLUDED.
ALL OTHERS DEC. DIM. \pm FRAC. DIM. \pm ANGULAR DIM. \pm	C	S401-156 (T22952)