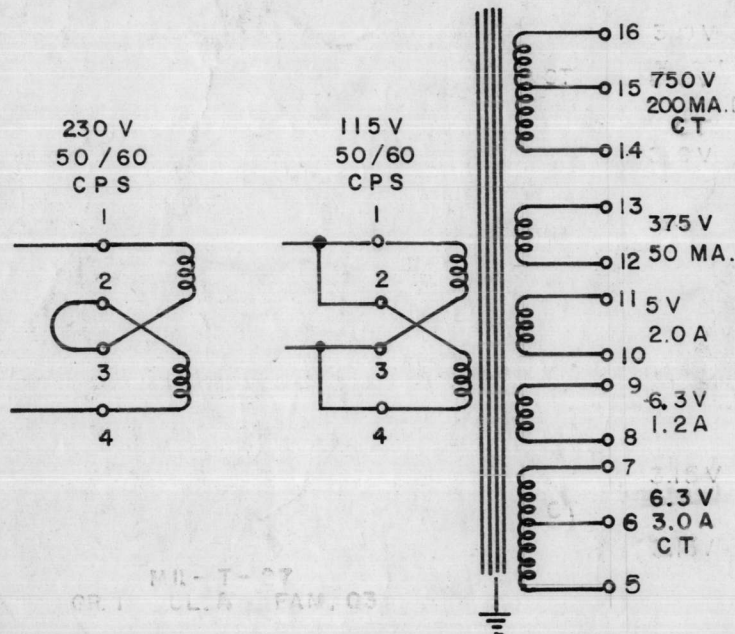


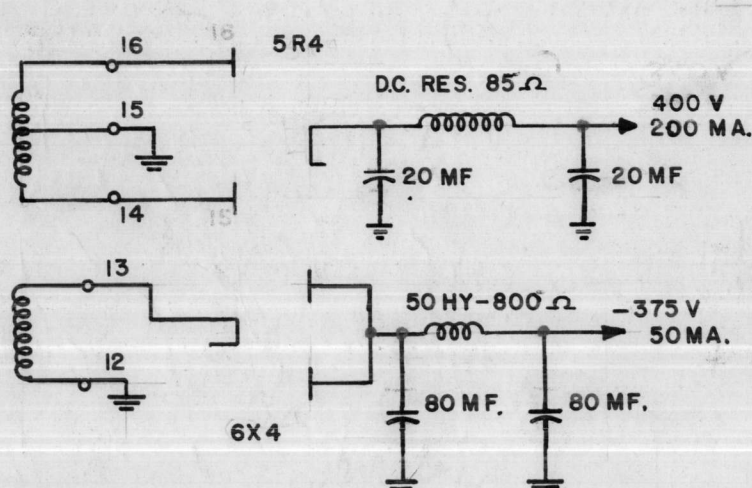
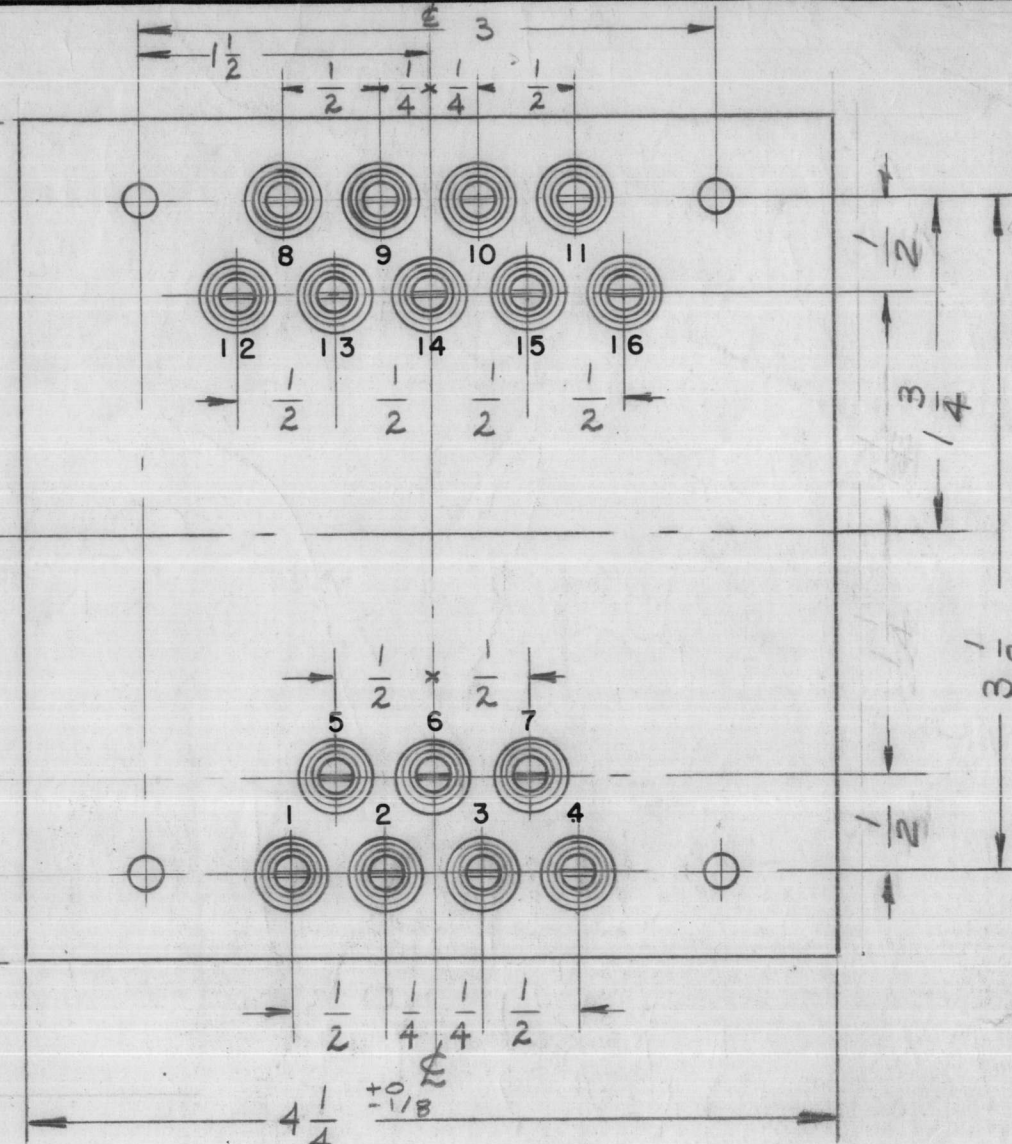
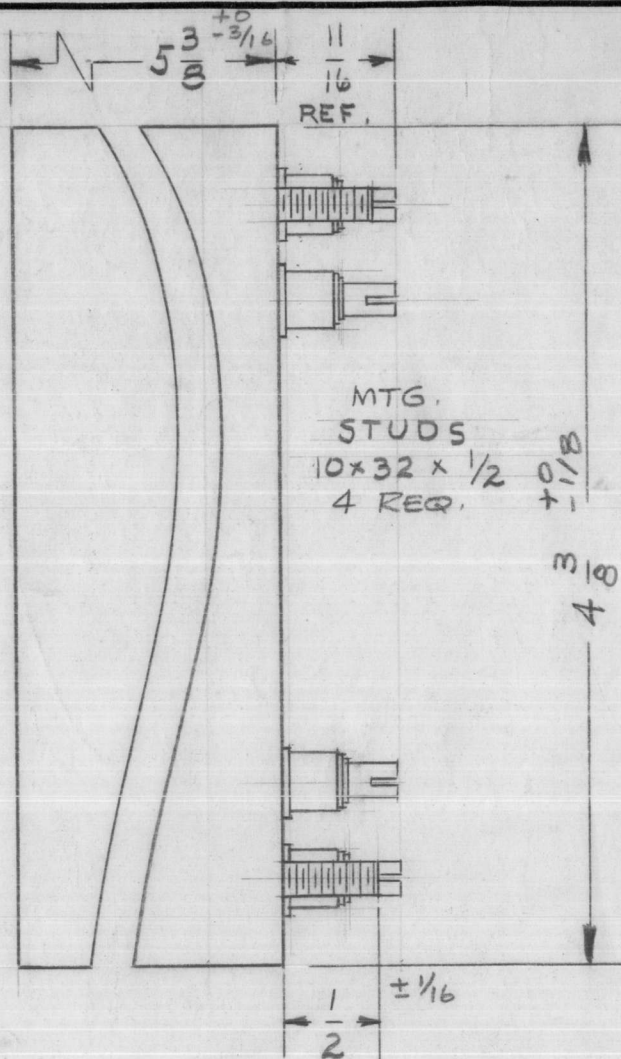
TF-198 E

THE TECHNICAL MATERIEL CORP.
MAMARONECK NEW YORK

TF-198-E



MIL-T-27
CR. 1 CL. A FAM. 03



ELECTRICAL SPECIFICATION:

PRIMARY: WHEN PARALLEL CONNECTED 115 V A.C. 50/60 C.P.S. SINGLE PHASE.
WHEN SERIES CONNECTED 230 V A.C. 50/60 C.P.S. SINGLE PHASE.

SECONDARY: FIVE WINDINGS AS FOLLOWS:

1. 750 VAC AT 200 MA CENTER TAPPED
2. 375 VAC AT 50 MA
3. 5.0 VAC AT 2.0 AMPS
4. 6.3 VAC AT 1.2 AMPS
5. 6.3 VAC AT 3.0 AMPS CENTER TAPPED

INSULATION: WINDING SHALL BE INSULATED FOR 3000 V. D.C.

MECHANICAL SPECIFICATIONS:

CASE: RECTANGULAR STEEL, MIL TYPE YY, HERMETICALLY SEALED.
FINISH: TMC SMOOTH GREY ENAMEL (S-115), EXCEPT TERMINAL END.

STAMPING: TERMINALS SHALL BE METAL STAMPED 1 TO 16 AS SHOWN. OPPOSITE END SHALL BE LETTERED IN BLACK AS SHOWN (APPROX. TO SCALE).

NOTE: MANUFACTURED IN ACCORDANCE WITH MIL SPEC T-27 -A EXCEPT THAT MIL SPEC T-27-A SHALL NOT APPEAR ON CASE & QUALIFICATION TESTING IS NOT REQ'D.

ISSUE ITEM	CHANGED FROM	DATE	CH. NO.	DRAFTS	CHECKER	ENG. APP.
E 1	SEC. #1 WAS 800 VAC SEC. #2 WAS 370 VAC	7-17-63	9655			
D 2	ON SECONDARY BODY WAS 700V, 30V WAS 315	G363	9120			
	STAMPING & SCHEMATIC CLARIFIED					

TOLERANCES: DEC. DIM. ±, FRAC. DIM. ± 1/64, ANGULAR DIM. ±

SCALE: 2-1287

MAXIMUM ALLOWABLE TOLERANCES HAVE BEEN DETERMINED AND ANY DEVIATIONS WILL BE CAUSE FOR REJECTION. REMOVE ALL BURRS AND SHARP EDGES

REQ. PER UNIT	MODEL	PROJECT NO.	ASS'Y. NO.	DATE
1	GPT-10K	AX-104		
				USED ON

REQ. ITEM	PART NO.	DESCRIPTION	SYMBOL
		THE TECHNICAL MATERIEL CORP. MAMARONECK, NEW YORK	
	STOCK SIZE	TRANSFORMER POWER STEP-UP & STEP DOWN, L.V BIAS SUPPLY	
	MATERIAL		
	TYPE & TEMPER	HEAT TREAT. SPEC.	
	FINISH & SPEC. NO.		

DRAWN: [Signature] CHECKED: [Signature] FINAL APPROVAL: [Signature]

ELEC. DES. APP. MECH. DES. APP. TF-198 E