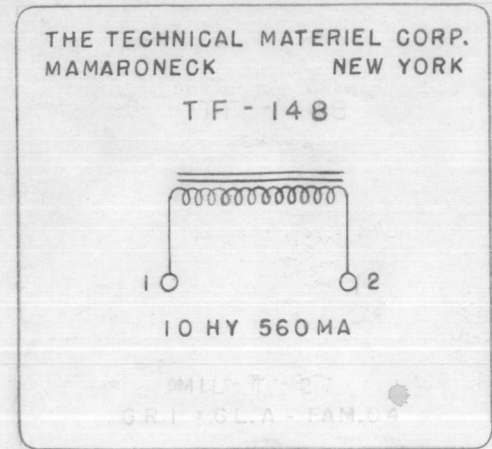
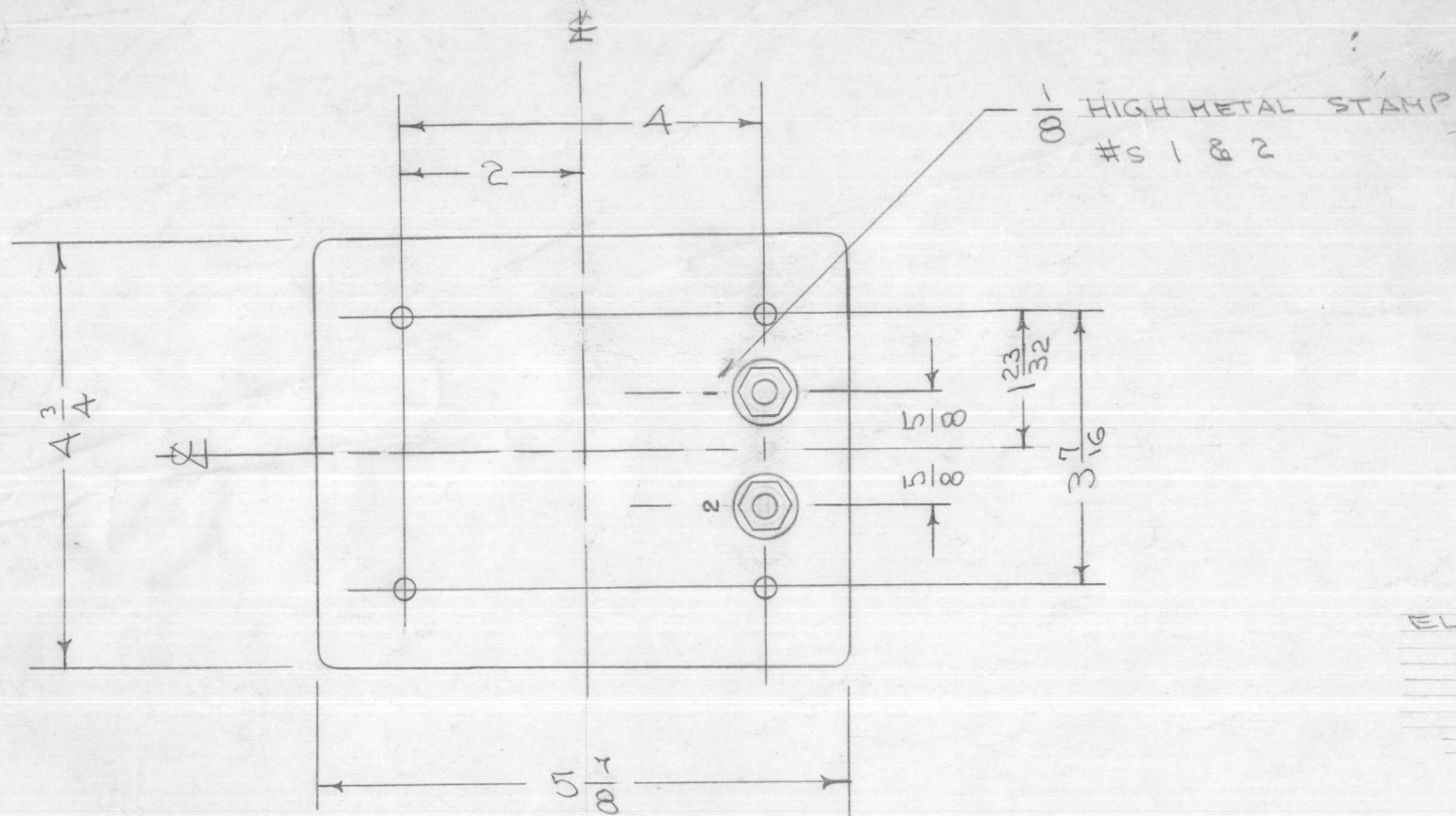


TF-148 B

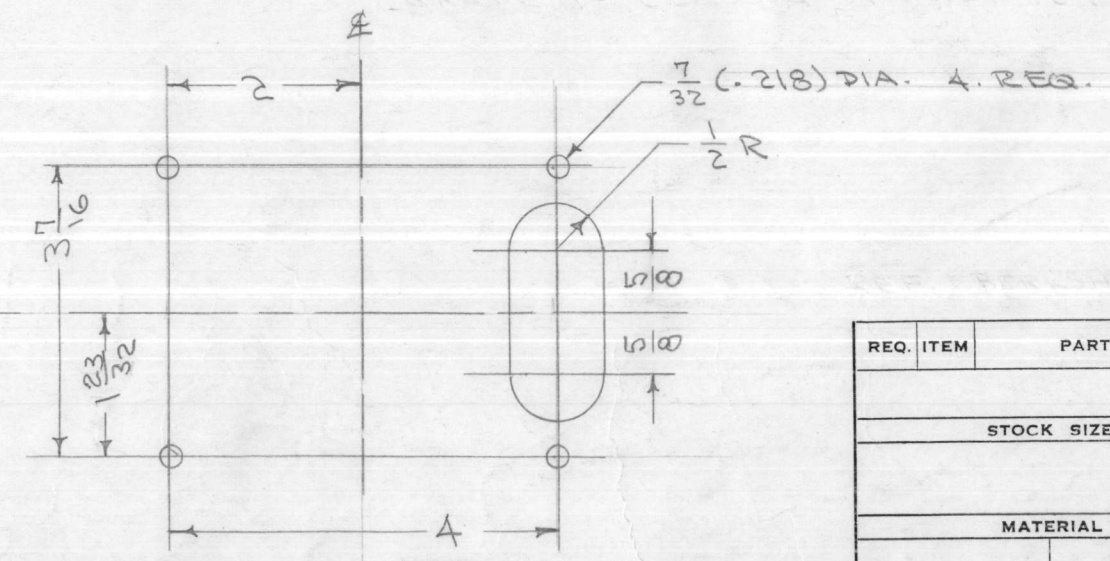
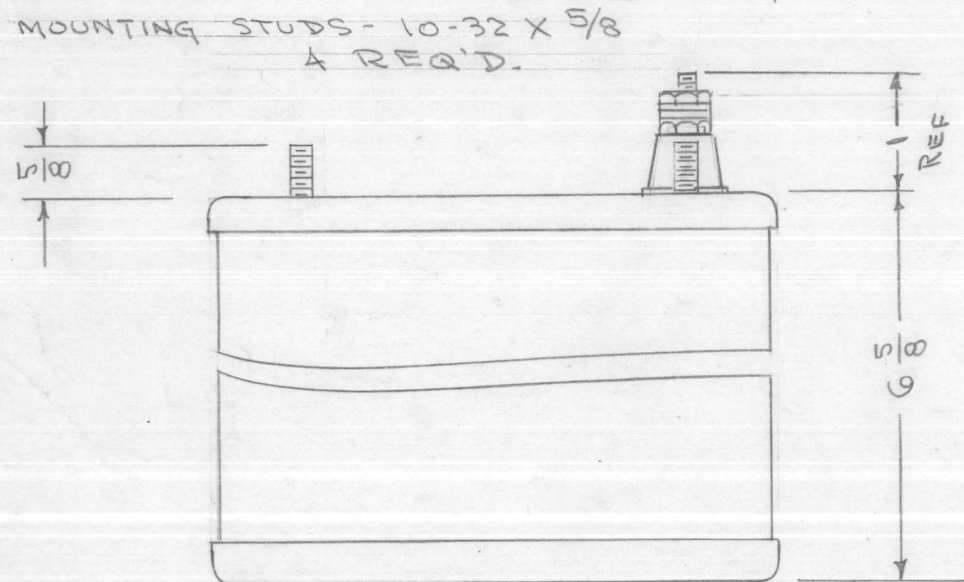


SCHEMATIC DIAGRAM TO APPEAR ON END OPPOSITE TERMINALS.

ELECTRICAL SPECIFICATIONS -
 INDUCTANCE - 10 HY @ FULL LOAD.
 D.C. CURRENT - 560 MA.
 D.C. RESISTANCE - LESS THAN 60 Ω
 INSULATION - MAX. DC. OPER. VOL.: 4000 V.

MECHANICAL SPECIFICATIONS -
 CASE - HERMETICALLY SEALED RECTANGULAR STEEL CASE.
 FINISH - S-115 T.M.C. SMOOTH GREY ENAMEL. EXCEPT TERMINAL END.
 SIZE - 4 3/4" X 5 7/8" X 6 5/8" HIGH, EXCLUSIVE OF TERMINALS.

NOTE: MANUFACTURED IN ACCORDANCE WITH MIL SPEC T-27-A EXCEPT THAT MIL SPEC T-27-A SHALL NOT APPEAR ON CASE AND QUALIFICATION TESTING IS NOT REQUIRED.



ISSUE	ITEM	CHANGED FROM	DATE	CH. NO.	DRAFTS	CHECKER	ENG. APP.
B	1	NOTE ADDED (MIL T-27-A)	6-29-60	2572			
A	1	MTG. DIM. CHANGED	10/28/55	1			

TOLERANCES: DEC. DIM. ±, FRAC. DIM. ±, ANGULAR DIM. ±

SCALE: A

MAXIMUM ALLOWABLE TOLERANCES HAVE BEEN DETERMINED AND ANY DEVIATIONS WILL BE CAUSE FOR REJECTION. REMOVE ALL BURRS AND SHARP EDGES

REQ. PER UNIT	MODEL	PROJECT NO.	ASS'Y. NO.	DATE
	RTP			5-23-58

USED ON

REQ. ITEM	PART NO.	DESCRIPTION	SYMBOL
		THE TECHNICAL MATERIEL CORP. MAMARONECK, NEW YORK	
	STOCK SIZE	REACTOR, FILTER	
	MATERIAL		
	TYPE & TEMPER	HEAT TREAT. SPEC.	
	FINISH & SPEC. NO.		

DATE: 6/2/55
DRAWN: O.I.P.
CHECKED: [Signature]
FINAL APPROVAL: A.J.J.
ELEC. DES. APP. MECH. DES. APP. TF-148 B