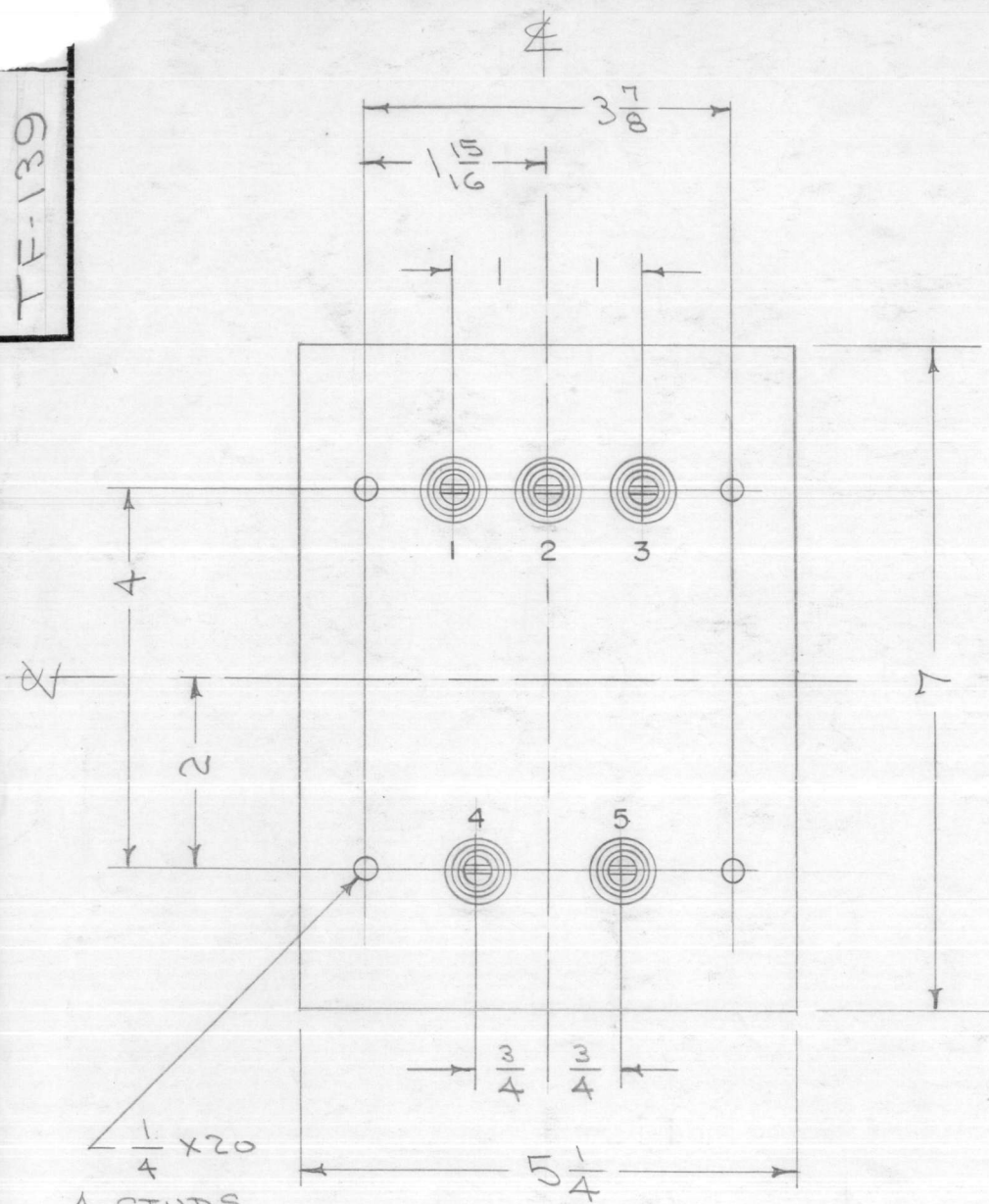
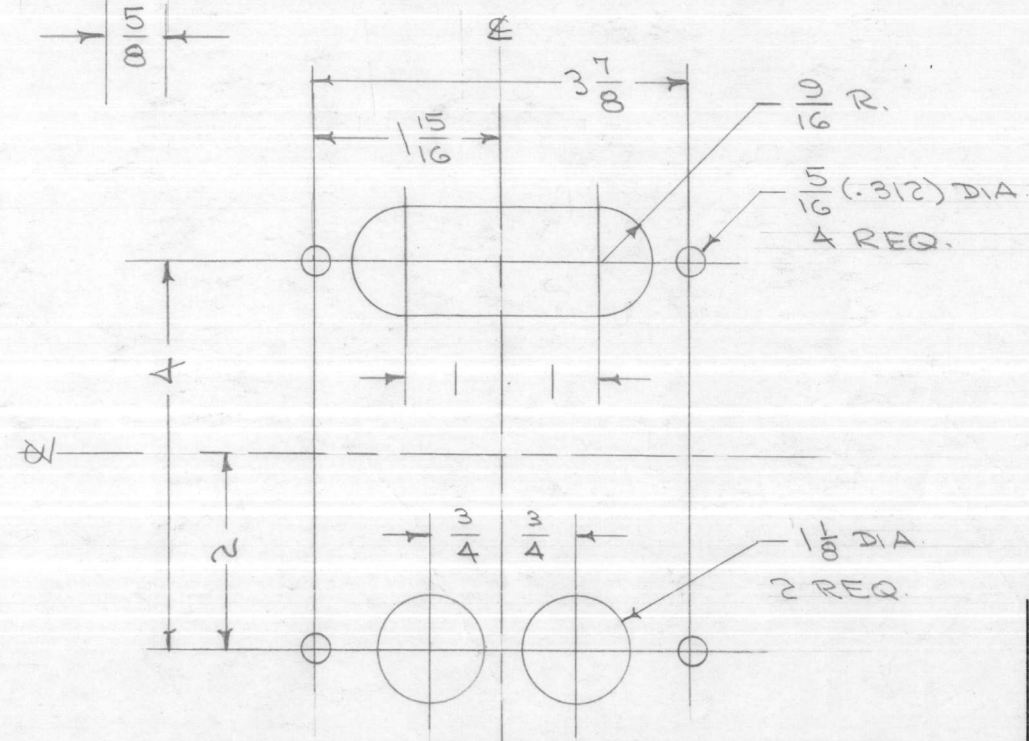
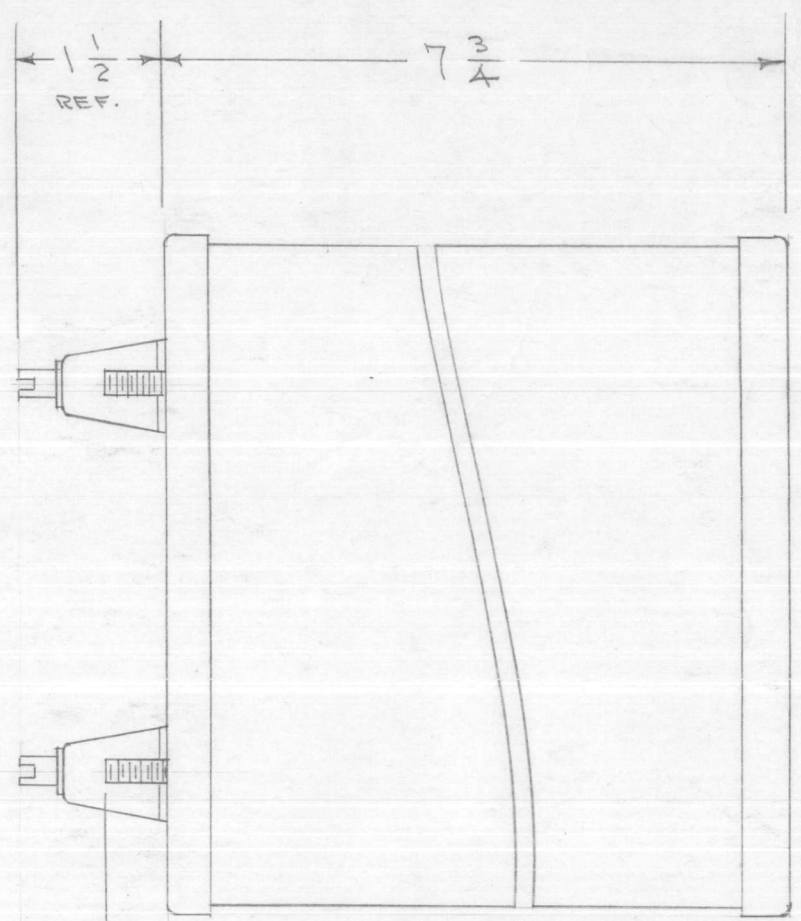


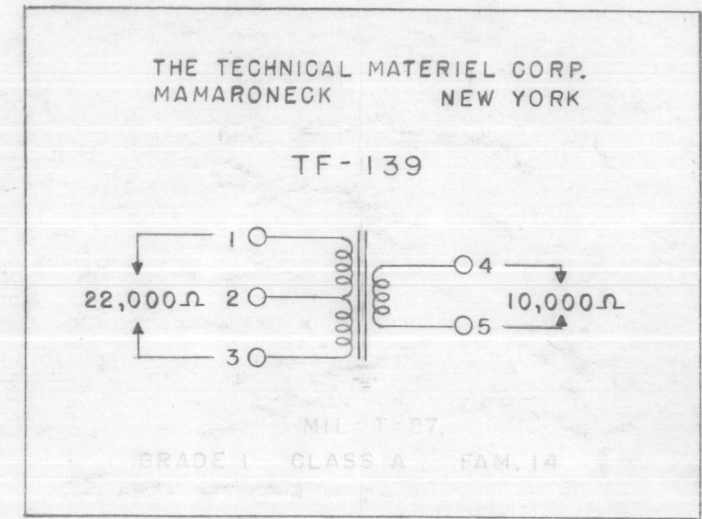
TF-139



METAL STAMP AS ABOVE
1, 2, 3, 4 & 5



SCHEMATIC TO APPEAR ON END OPPOSITE TERMINALS



MECHANICAL SPECIFICATIONS -
CASE - STEEL, HERMITICALLY SEALED
RECTANGULAR
COLOR - TMC SMOOTH GRAY (S-115)
STUDS - 1/4-20 X 5/8 LONG
SIZE - 5/4 X 7 X 7 3/4 EXCLUSIVE OF
TERMINALS

ELECTRICAL SPECIFICATIONS:
PRIMARY - 22,000 Ω CENTER TAPPED.
WORKING VOLTS - APPROX. 1400 V. R.M.S.
(EACH SIDE TO C.T.) SUPERIMPOSED
ON 2500 V. D.C.
CURRENT - 250 MA. D.C. BALANCED
SECONDARY - 10,000 Ω
WORKING VOLTS - APPROX. 1900 V.
R.M.S. SUPERIMPOSED ON 2500 V. D.C.
CURRENT - 250 MA. UNBALANCED.
OVERALL -
POWER LEVEL - 350 WATTS.
EFFICIENCY - 95% OR GREATER
RESPONSE - FLAT WITHIN ± 2db. FROM
100 CPS TO 10 KCS
INSULATION - ALL WINDINGS TO BE
INSULATED FOR 8 KV.

NOTE: MANUFACTURED IN ACCORDANCE WITH MIL SPEC T-27-A EXCEPT THAT MIL SPEC T-27-A SHALL NOT APPEAR ON CASE AND QUALIFICATION TESTING IS NOT REQUIRED.

ISSUE	ITEM	CHANGED FROM	DATE	CH. NO.	DRAFTS	CHECKER	ENG. APP.
B	1	NOTE ADDED (MIL T-27-A)	6-29-60	2572			16
A	1	Electrostatic shield removed	10/28/55	1			A.J.J.

TOLERANCES		SCALE:	1	RTM~2			10-16-58
DEC. DIM. ±		MAXIMUM ALLOWABLE TOLERANCES HAVE BEEN DETERMINED AND ANY DEVIATIONS WILL BE CAUSE FOR REJECTION. REMOVE ALL BURRS AND SHARP EDGES	1	RTM			
FRAC. DIM. ±			REQ. PER UNIT	MODEL	PROJECT NO.	ASS'Y. NO.	DATE
ANGULAR DIM. ±							

REQ. ITEM	PART NO.	DESCRIPTION	SYMBOL
STOCK SIZE		THE TECHNICAL MATERIEL CORP. MAMARONECK. NEW YORK	
MATERIAL		TRANSFORMER, AUDIO MODULATION	
TYPE & TEMPER	HEAT TREAT. SPEC.	DRAWN	CHECKED
FINISH & SPEC. NO.		ELEC. DES. APP.	MECH. DES. APP.