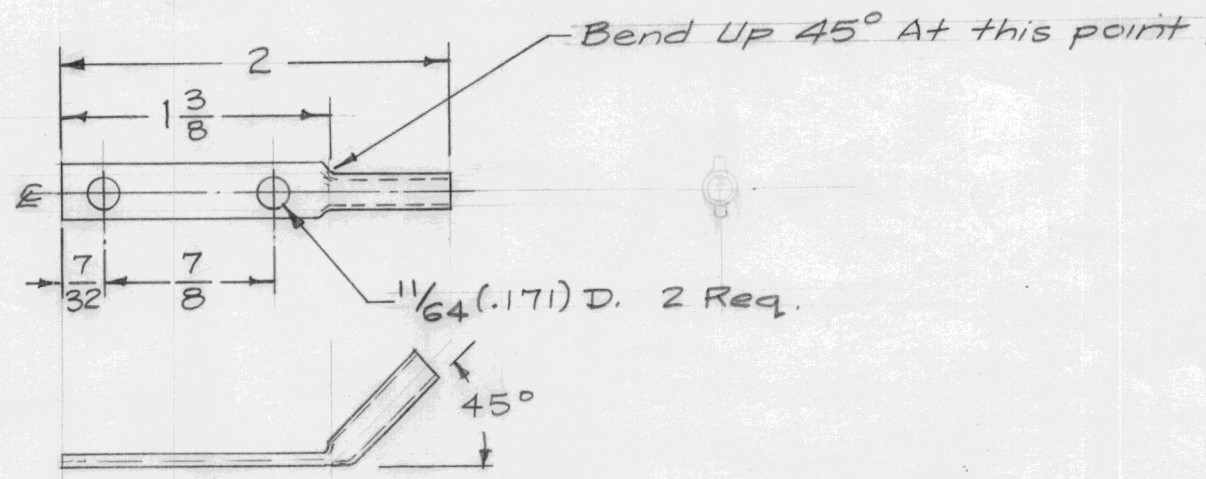


REQ. PER UNIT	USED ON		
	MODEL	ASS'Y. NO.	DATE
1	ATS-50TU		12-17-57
1	ATS-70TU		12-17-57
1	ATS-50(70)TU2		6-10-59

TE-171



FINISH:  
 S-245 SILVER PLATE .0005  
 S-423 IRIDITE 18-P SILVER KOTE

ISSUE	ITEM	CHANGED FROM	DATE	CH. NO.	DRAFTS	CHECKER	ENG. APP.	REQ. ITEM	PART NO.	DESCRIPTION	SYMBOL				
								3/16 OD / .127 I.D.		THE TECHNICAL MATERIEL CORP. MAMARONECK, NEW YORK					
								STOCK SIZE							
								Copper Tubing			LUG, CONTACT				
								MATERIAL							
								Soft Seamless	#	16 12/17/57	JAIDE	OK AJT			
TOLERANCES			SCALE: FULL												
DEC. DIM. ±			MAXIMUM ALLOWABLE TOLERANCES HAVE BEEN DETERMINED AND ANY DEVIATIONS WILL BE CAUSE FOR REJECTION. REMOVE ALL BURRS AND SHARP EDGES												
FRAC. DIM. ± 1/64															
ANGULAR DIM. ±															
								TYPE & TEMPER	HEAT TREAT. SPEC.	DRAWN	CHECKED	FINAL APPROVAL			
								SEE NOTE		QBR	QBT	TE-171			
								FINISH & SPEC. NO.		ELEC. DES. APP.	MECH. DES. APP.				