

IF IT IS FOUND DESIRABLE TO CHANGE ANY TOLERANCE OR OTHER DETAIL SPECIFIED ON THIS DRAWING NOTIFY THE PURCHASER PROMPTLY.

STANDARD DRAWING

TE-147

MAXIMUM ALLOWABLE TOLERANCES HAVE BEEN DETERMINED AND DEVIATIONS WILL BE CAUSE FOR REJECTION. REMOVE ALL BURRS AND SHARP EDGES

REQ. PER UNIT

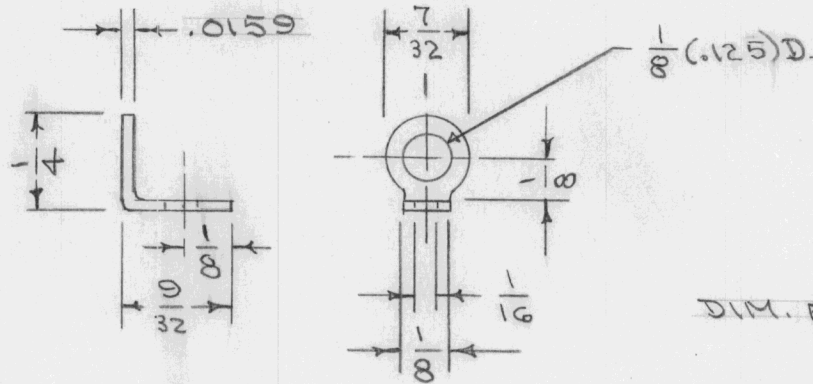
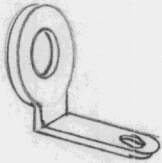
USED ON

MODEL

PROJECT NO.

ASS'Y. NO.

DATE



DIM. FOR REF. ONLY

ZIERICK MFG. CO. CAT. NO. 401

REQ.	ITEM	PART NO.	DESCRIPTION	SYMBOL
			THE TECHNICAL MATERIEL CORP.	
			MAMARONECK. NEW YORK	
		BRASS	LUG, TERMINAL	
		MATERIAL	WEIGHT PER PC.	
			ADD. 1-21-55	WDE
		TYPE & TEMPER	DRAWN	ELEC. DES. APP. MECH. DES. APP.
			fahe	WDE
		HEAT TREAT. SPEC.	CHECKED	FINAL APPROVAL
		HOT TINNED		TE-147
		FINISH & SPEC. NO.		

ISSUE	ITEM	CHANGED FROM	DATE	CN. NO.	DRAFTS	CHECKER	ENG. APP.
TOLERANCES			SCALE				
ALL OTHERS	DEC. DIM. ± FRAC. DIM. ± ANGULAR DIM. ±		DRILL, PUNCH, COMMERCIAL STOCK SIZES AND MANUFACTURERS TOLERANCES ARE NOT INCLUDED.				