

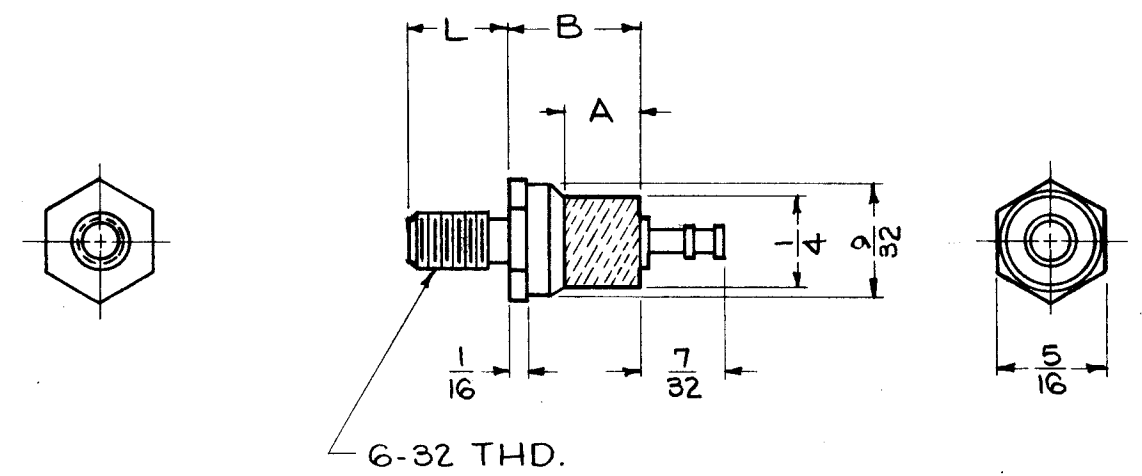
TMC PART NUMBER	MFRS. REF.	MFRS. PART NUMBER	INSULATION MATERIAL	DIMENSIONS			REMARKS
				A	B	L	
TE-121-1	A	X1581	PHENOLIC PER SPEC. 2A	3/16	11/32	1/4	
TE-121-2	A	X1581-3	PHENOLIC PER SPEC. 2A	3/16	11/32	3/8	
TE-121-3							SUPERSEDED BY TE-121-1
TE-121-4							SUPERSEDED BY TE-121-2
TE-121-5	A	X1942-X	CERAMIC PER SPEC. 2B	11/64	5/16	1/4	

A
TE-121

REVISIONS						
SYM	DESCRIPTION	DATE	E.M.N. NO.	DRAFT	CHKD	APPD
A	REDRAWN & REVISED (WAS 1 SIZE)	5-14-63	8989	<i>[Signature]</i>	<i>[Signature]</i>	<i>[Signature]</i>

SPECIFICATIONS

- MOUNTING STUD:** BRASS (PER QQ-B-626a, COMP. 22, 1/2 Hd)
CADMIUM PLATE (PER QQ-P-416a, TYPE II, CLASS B)
- INSULATION:** A) PHENOLIC, PAPER BASE (TYPE PBG PER MIL-P-79B)
COMM. TYPE XX, WITH VARNISH IMPREG.
B) CERAMIC (GRADE 523 PER MIL-I-10)
- TERMINAL STUD:** BRASS (PER QQ-B-626a, COMP. 22, 1/2 Hd)
SILVER PLATE (PER MIL-F-14072, QQ-S-365)
- VOLTAGE BREAKDOWN:** 4000 VRMS AT 60 cps.



MFRS. REF.	A - CAMBRIDGE THERMIONIC CORP.
------------	--------------------------------

REQ'D.	ITEM	PART NUMBER	DESCRIPTION	SYMBOL
LIST OF MATERIAL				

MATERIAL	SEE SPEC	THE TECHNICAL MATERIEL CORP. MAMARONECK, NEW YORK		
FINISH	SEE SPEC	TITLE TERMINAL, STUD, INSULATED		

STANDARD DRAWING

Q'TY./UNIT	MODEL USED ON	ASS'Y. NO.
SCALE <i>H</i>	CODE	
THE CONTENTS OF THIS DRAWING ARE THE EXCLUSIVE PROPERTY OF THE TECHNICAL MATERIEL CORP. ITS UNAUTHORIZED USE OR REPRODUCTION IN WHOLE OR IN PART IS STRICTLY FORBIDDEN.		

UNLESS OTHERWISE SPECIFIED DIMENSIONS ARE IN INCHES AND INCLUDE CHEMICALLY APPLIED OR PLATED FINISHES		DRAWN <i>[Signature]</i> CHECKED <i>[Signature]</i>	DATE 5-14-63 DATE 5-16-63	FINAL APPROVAL <i>[Signature]</i>	DATE 5-23-63
DECIMALS .X ± .05 .XX ± .01 .XXX ± .005	TOLERANCES	FRACTIONS ± 1/64 ANGLES ± 0° 30'	ELECT. DES. <i>[Signature]</i>	DATE 5/22/63	SHEET A

NOTES