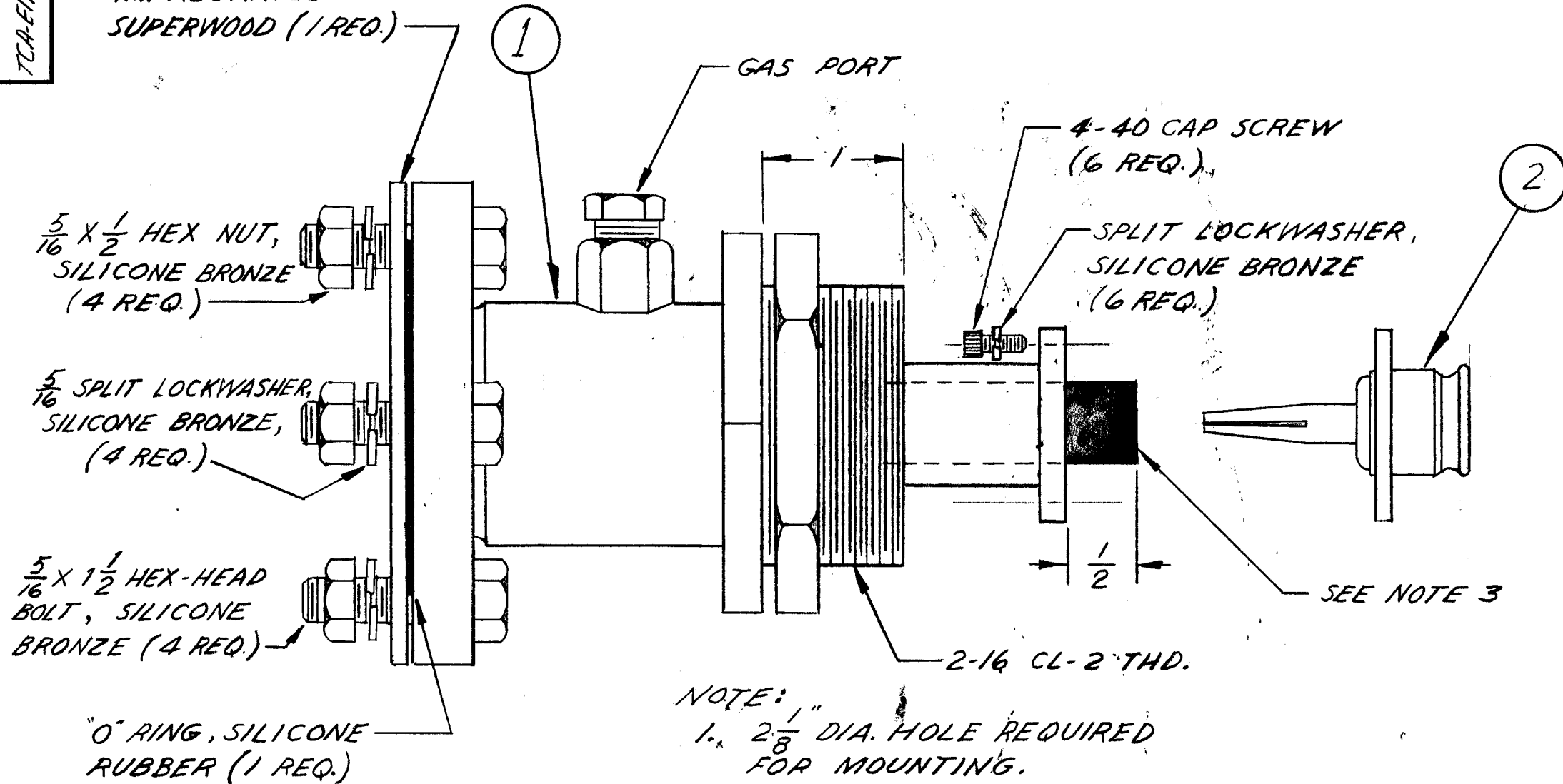


TCA-EIA 51625/QDS

THE CONTENTS OF THIS DRAWING ARE THE EXCLUSIVE PROPERTY OF THE TECHNICAL MATERIEL CORP. ITS UNAUTHORIZED USE OR REPRODUCTION IN WHOLE OR IN PART IS STRICTLY FORBIDDEN.

MODEL	SUPPLIED WITH STRAIGHT PLUG	SUPPLIED WITH ANGLE PLUG	CABLE
TCA-EIA 51625/QDS-1	PL-149		RG-8, 9, 11, 12/U
TCA-EIA 51625/QDS-2		PL-161	RG-8, 9, 11, 12/U

COVER, VARNISH IMPREGNATED SUPERWOOD (1 REQ.)



MATERIAL - BRASS
FINISH - BRASS PLATE

- NOTE:
1. 2 7/8" DIA. HOLE REQUIRED FOR MOUNTING.
 2. OVERALL DIMENSION IS APPROX. 5 3/4".
 3. REMOVE 1/2" OF TEFLON INSULATOR BEFORE MOUNTING ITEM 2.

1	2	JJ-236	CONNECTOR, RECEPTACLE	
1	1	PO-249	FEED THRU	
REQ.	ITEM	PART NO.	DESCRIPTION	SYMBOL
X			THE TECHNICAL MATERIEL CORP., MAMARONECK, NEW YORK	
X			CONNECTOR, RECEPTACLE, ELECTRICAL FEED-THRU 1 3/8" EIA 50Ω TO QDS	
X		X		WH
TYPE & TEMPER		HEAT TREAT. SPEC.	DRAWN	CHECKED
				RUFFO
FINISH & SPEC. NO.		ELEC. DES. APP.	MECH. DES. APP.	TCA-EIA 51625/QDS
				A

SYM	DESCRIPTION	DATE	CH. NO.	DRAFTS	CHECKER	ENG. APP.
A	ITEM(1) WAS EIA-51625	10-15-62	7445			

UNLESS OTHERWISE SPECIFIED:

DIMENSIONS ARE IN INCHES

TOLERANCES ON FRACTIONS ± 1/64 DECIMALS ± .005 ANGLES ± 1/20

SCALE: MAXIMUM ALLOWABLE TOLERANCES HAVE BEEN DETERMINED AND ANY DEVIATIONS WILL BE CAUSE FOR REJECTION. REMOVE ALL BURRS AND SHARP EDGES

1 SEE CHART

REQ. PER UNIT

MODEL SECTION ASS'Y. NO. DATE

12-19-61

USED ON