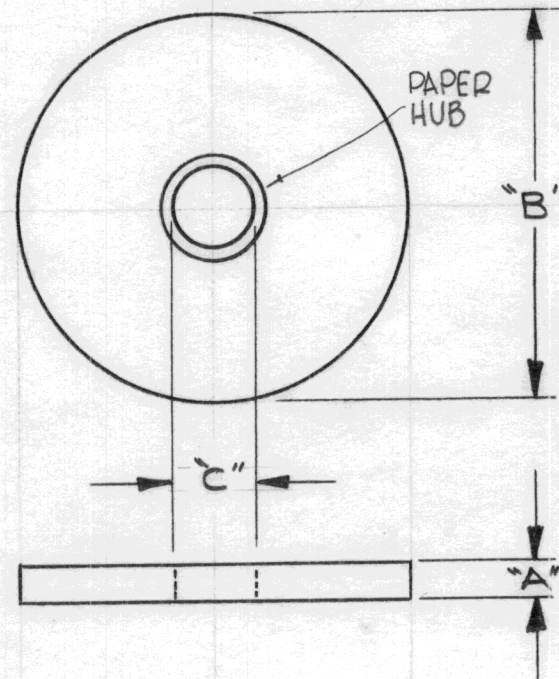


			REQ. PER UNIT	USED ON			TA116	Ø
				MODEL	ASS'Y. NO.	DATE		
				ARCA-1		12-15-64		

TMC PART NUMBER	DIM "A"	"B" DIA.	"C" DIA.	COLOR	LEN. PER. ROLL FT.
TA116-1	11/16	8"	2"	CANARY YELLOW	975
-2	7/8	8"	2"	CANARY YELLOW	975



							REQ.	ITEM	PART NO.	F. EATON	DESCRIPTION	SYMBOL	
Ø	ORIGINAL RELEASE FOR PRODUCTION	4/20/65	AA	qjr				<del>        </del>		THE TECHNICAL MATERIEL CORP. MAMARONECK. NEW YORK			
X	EXPER. RELEASE	12-15-64	X	qjr				PAPER		TAPE, TELETYPEWRITER, PERFORATOR			
SYM	DESCRIPTION	DATE	CH. NO.	DRAFTS	CHECKER	ENG. APP.		MATERIAL					
UNLESS OTHERWISE SPECIFIED DIMENSIONS ARE IN INCHES AND INCLUDE CHEMICALLY APPLIED OR PLATED FINISHES		SCALE								<i>[Signature]</i>	<i>[Signature]</i>	<i>[Signature]</i>	
							TYPE & TEMPER.	HEAT TREAT. SPEC.		DRAWN	CHECKED	FINAL APPROVAL	
DECIMALS .X ± .05 .XX ± .01 .XXX ± .005		FRACTIONS ± 1/64 ANGLES ± 0° 30'		TOLERANCES		CODE							
		C		S401-			OILED						
							FINISH & SPEC. NO.		ELEC. DES. APP.	MECH. DES. APP.		TA116	Ø