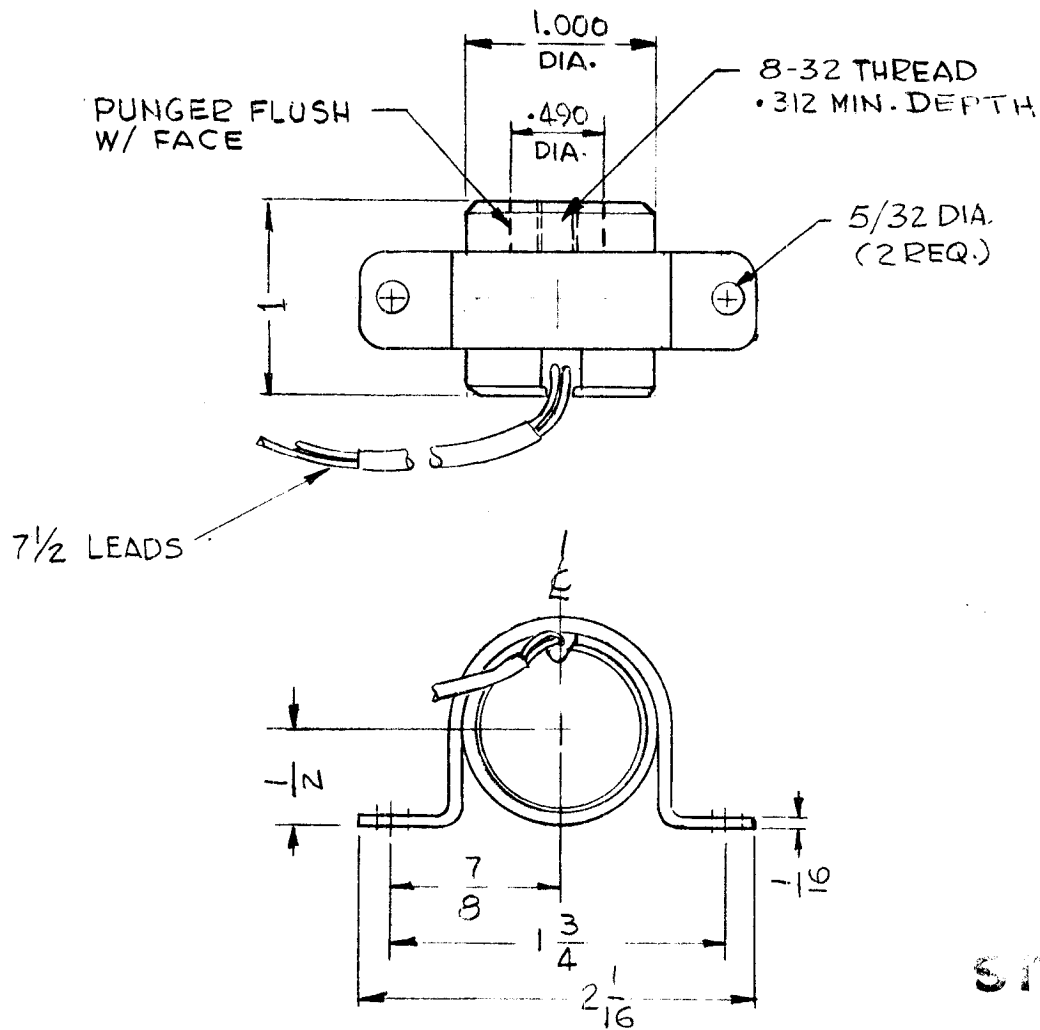


REQ. PER UNIT	USED ON			SZ 102	Ø
	MODEL	ASS'Y. NO.	DATE		
2	STANDARD		8-27-64		



- SPECIFICATIONS -

TYPE OF ACTUATION: PULL TYPE  
 COIL DATA:  
 NO. OF COILS: ONE  
 RESISTANCE: 2.2 OHMS  
 CURRENT TYPE: D.C.  
 CURRENT RATING: 13 AMPS  
 VOLTAGE RATING: 28 VOLTS  
 STROKE DATA: AXIAL PLUNGER  
 PULL IN LBS: 6.2 LBS, START OF .250  
 STROKE AT 28 VOLTS DC @25C.  
 CASE DATA: MATERIAL-STEEL, LOW CARBON  
 FINISH-COPPER, NICKEL

STANDARD DRAWING

REQ.	ITEM	PART NO.	DESCRIPTION				SYMBOL	
Ø		—#—	THE TECHNICAL MATERIEL CORP. MAMARONECK, NEW YORK					
		STOCK SIZE	SOLENOID, MINIATURE					
X		SEE SPEC.						
SYM	DESCRIPTION	DATE	CH. NO.	DRAFTS	CHECKER	ENG. APP.	MATERIAL	
	UNLESS OTHERWISE SPECIFIED DIMENSIONS ARE IN INCHES AND INCLUDE CHEMICALLY APPLIED OR PLATED FINISHES	SCALE	1:1				#	#
							G.D.L.	
							ⓐ	
							RJC	
							FINAL APPROVAL	
	DECIMALS: .X ± .05 .XX ± .01 .XXX ± .005	FRACTIONS ± 1/64 ANGLES ± 0° 30'	CODE	S401-313 (L-8-A-4-1-2418)				SEE SPEC.
	TOLERANCES		C				FE 8/27/64	
							MECH. DES. APP.	
							FINISH & SPEC. NO.	
							MEC. DES. APP.	
							SZ 102	
							Ø	