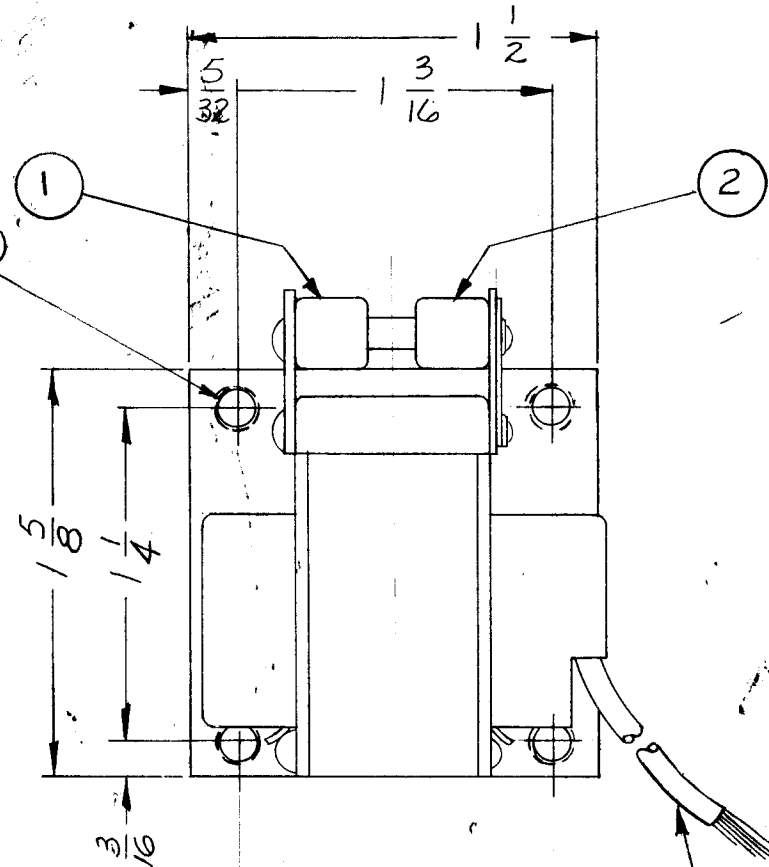


DRILL & TAP
#6-32 (4 REQ)



SZ 101 A

REVISIONS					
SYM	DESCRIPTION	DATE	E.M.N. NO.	DRAFT	CHKD APPD
X	EXPERIMENTAL RELEASE	3-30-64		RD	
XI	ITEM 1, 2 & SPEC. ADDED	8-6-64	*	P. Schuy	
Ø	ORIGINAL RELEASE FOR PRODUCTION	8-13-64	*	G. Bol	
A	IN SPECS "TERM" WERE 30" MIN	12.2.66	17382	WHO	JB

SPECIFICATIONS

TYPE: PULL
 QUANTITY OF COILS: 1
 AVERAGE CURRENT: 6.5AMPS
 COIL RESISTANCE: 9 OHMS
 VOLTAGE: 115 VOLT 60cy. AC
 TYPE STROKE: AXIAL PLUNGER
 MAXIMUM PLUNGER STROKE: 1/2"
 MAXIMUM FORCE: 14 1/2 LB. @100% VOLT.
 9 1/2 @85% VOLT
 MAX. EXTENSION OF SHAFT IN DE-ENERGIZED
 POSITION: 5/8"
 SHAFT EXTENSION: WITH CHAIN LINK
 CASE MATERIAL: STEEL
 FINISH: PAINT
 TERMINALS: 2 WIRE LEADS 24"

REQ'D.	ITEM	PART NUMBER	DESCRIPTION	SYMBOL
1	2	TE117-53	SPACER	
1	1	TE117-42	SPACER	

T. KRUY E3112B LIST OF MATERIAL

MATERIAL		THE TECHNICAL MATERIEL CORP. MAMARONECK, NEW YORK	
FINISH		TITLE: SOLENOID (PULL TYPE)	
UNLESS OTHERWISE SPECIFIED DIMENSIONS ARE IN INCHES AND INCLUDE CHEMICALLY APPLIED OR PLATED FINISHES		DRAWN: <i>L. Davis</i> CHECKED: <i>@</i> ELECT. DES.: MECH. DES.: <i>T. Kruy</i>	DATE: 3-30-64 DATE: 8-14-64 DATE: 8-14-64 DATE: 8-14-64
DECIMALS .X ± .05 .XX ± .01 .XXX ± .005		TOLERANCES FRACTIONS ± 1/64 ANGLES ± 0° 30'	
FINAL APPROVAL: <i>RD</i> DATE:		SHEET: SZ 101 A REV. LTR.	

1	HFRR-2	A3533
Q'TY./UNIT	MODEL USED ON	ASS'Y. NO.
SCALE DO NOT SCALE	CODE C	S401-310
THE CONTENTS OF THIS DRAWING ARE THE EXCLUSIVE PROPERTY OF THE TECHNICAL MATERIEL CORP. ITS UNAUTHORIZED USE OR REPRODUCTION IN WHOLE OR IN PART IS STRICTLY FORBIDDEN.		

NOTES