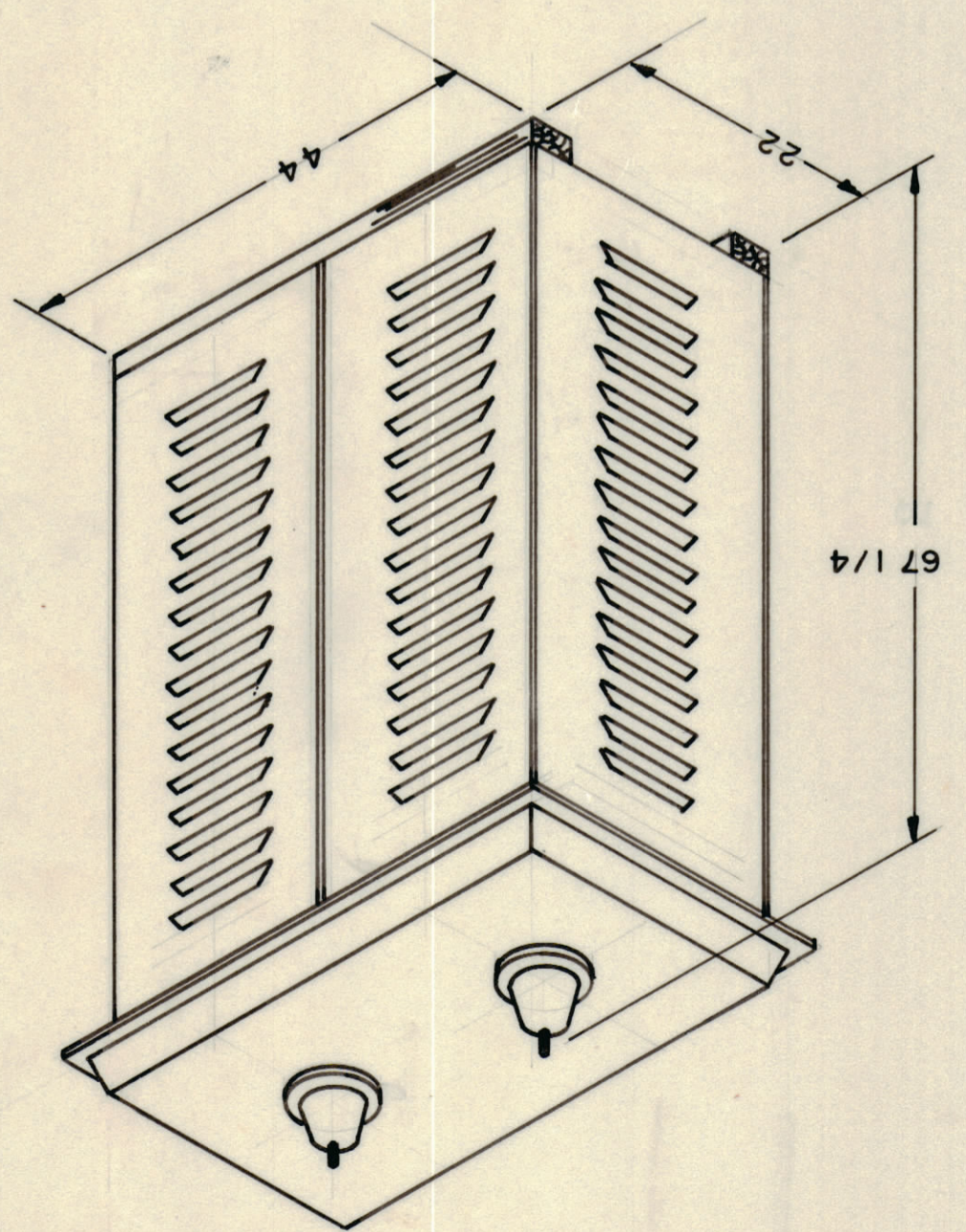
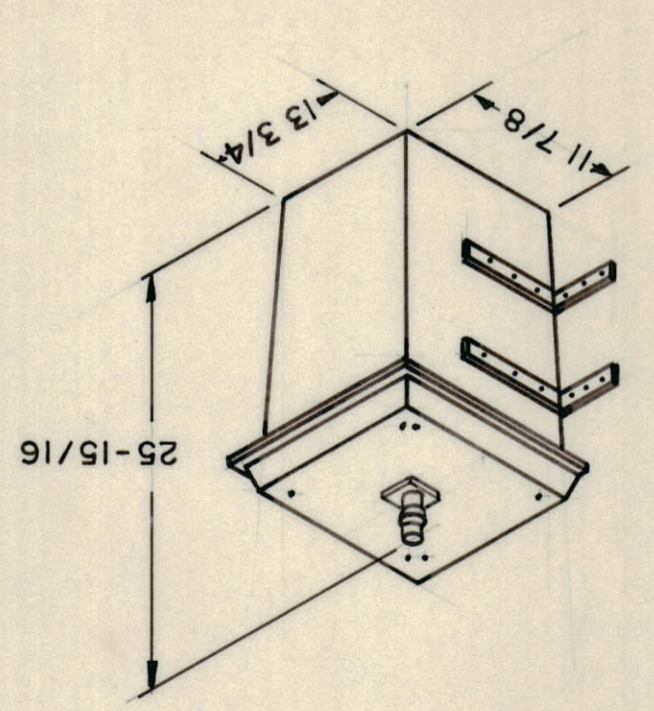
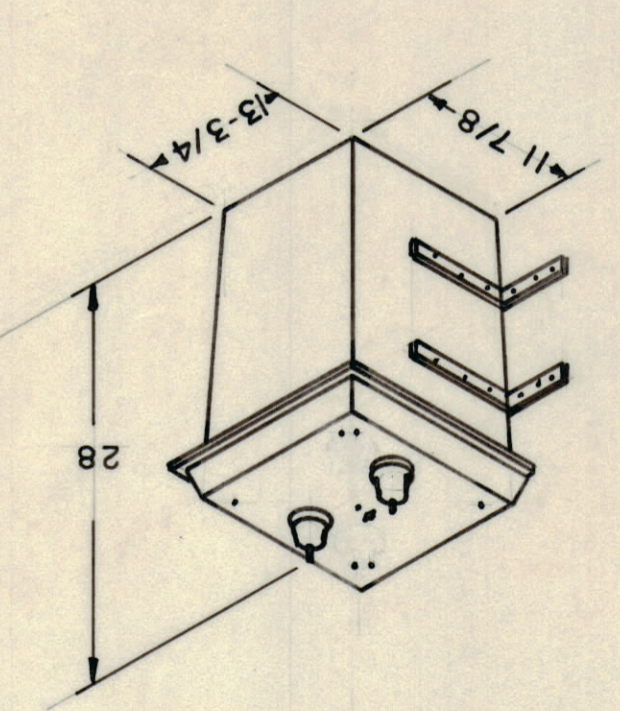
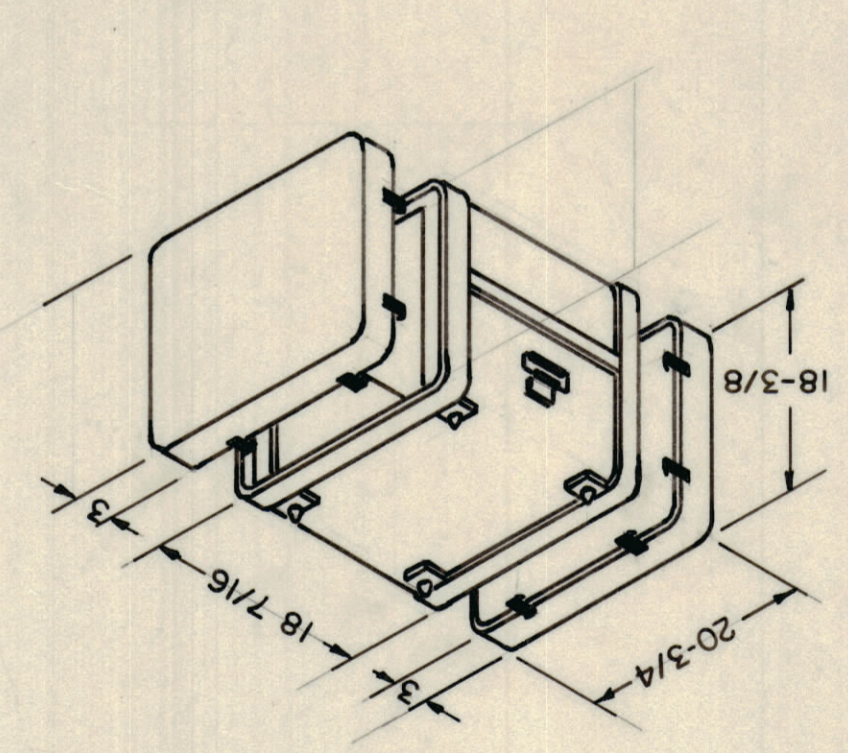


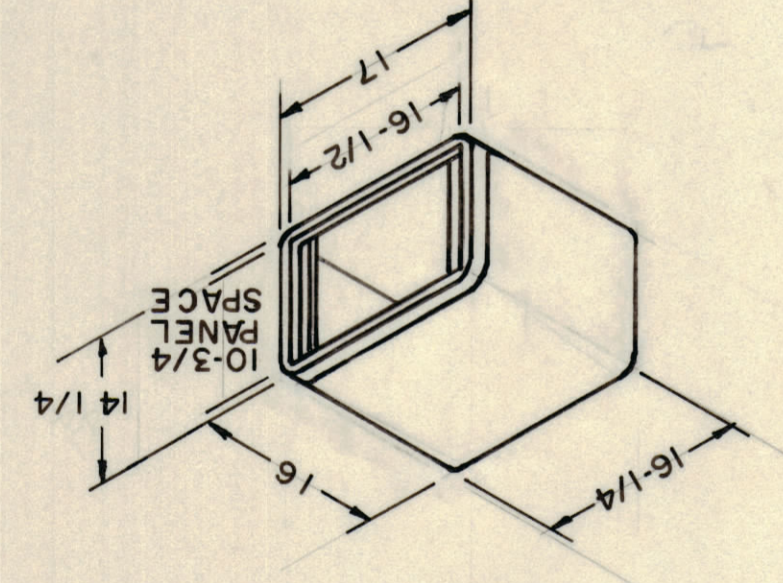
THE TECHNICAL MATERIAL CORP. MAMARONECK, NEW YORK SYSTEMS DEPARTMENT		STOCK SIZE
SALES ORDER NUMBER	PROPOSAL NUMBER	OR NUMBER
TITLE: FIBERGLASS CASES P.M.O., T.O.C., T.E.R.		
TYPE & TEMPS HEAT TREAT SPEC.		
FINISH & SPEC. NO.	DRAWN BY DATE	FINAL APPROVAL
NO. OF SH.	SYSTEM DWG. NO.	NO. OF SH.

TER-5000-600		<p>TMC MODEL NOMENCLATURE</p> <p>MATERIAL FIBERGLASS</p> <p>FINISH</p> <p>BASE</p> <p>DOORS</p> <p>WEIGHT 70 LBS.</p>
--------------	---	---

TER-500-70		<p>TMC MODEL NOMENCLATURE</p> <p>MATERIAL FIBERGLASS</p> <p>COVER</p> <p>WEIGHT 12 LBS.</p>
------------	--	---

TER-500-600		<p>TMC MODEL NOMENCLATURE</p> <p>MATERIAL FIBERGLASS</p> <p>COVER</p> <p>WEIGHT 12 LBS.</p>
-------------	---	---

T.O.C.		<p>TMC MODEL NOMENCLATURE</p> <p>MATERIAL FIBERGLASS</p> <p>COVERS</p> <p>WEIGHT 30 LBS.</p>
--------	---	--

P.M.O.		<p>TMC MODEL NOMENCLATURE</p> <p>MATERIAL FIBERGLASS</p> <p>WEIGHT 12 LBS.</p>
--------	---	--

FOR SALES USE ONLY NOT FOR MANUFACTURING

SY-1237 SYSTEM DWG. NO. NO. OF SH.