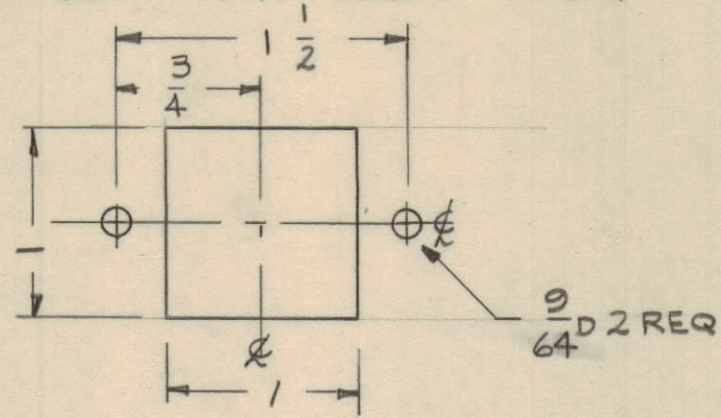
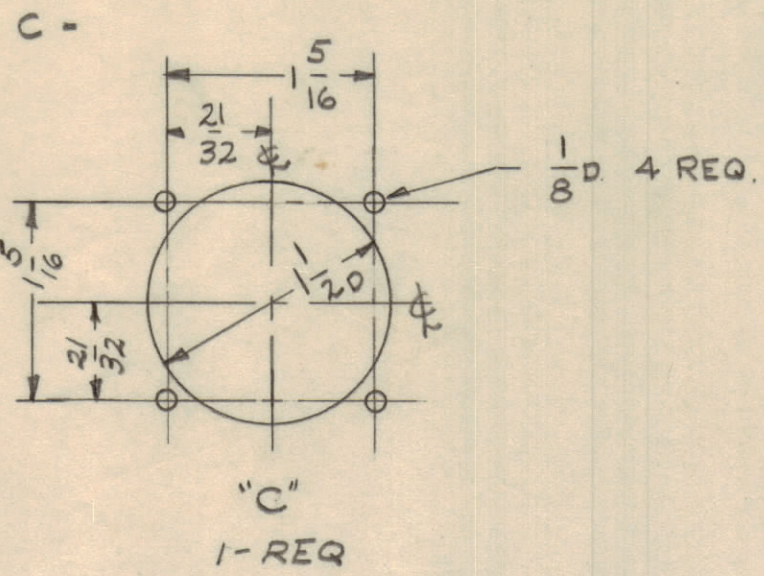


A ~ $\frac{1}{8}$ (.125) DIA 2 REQ.

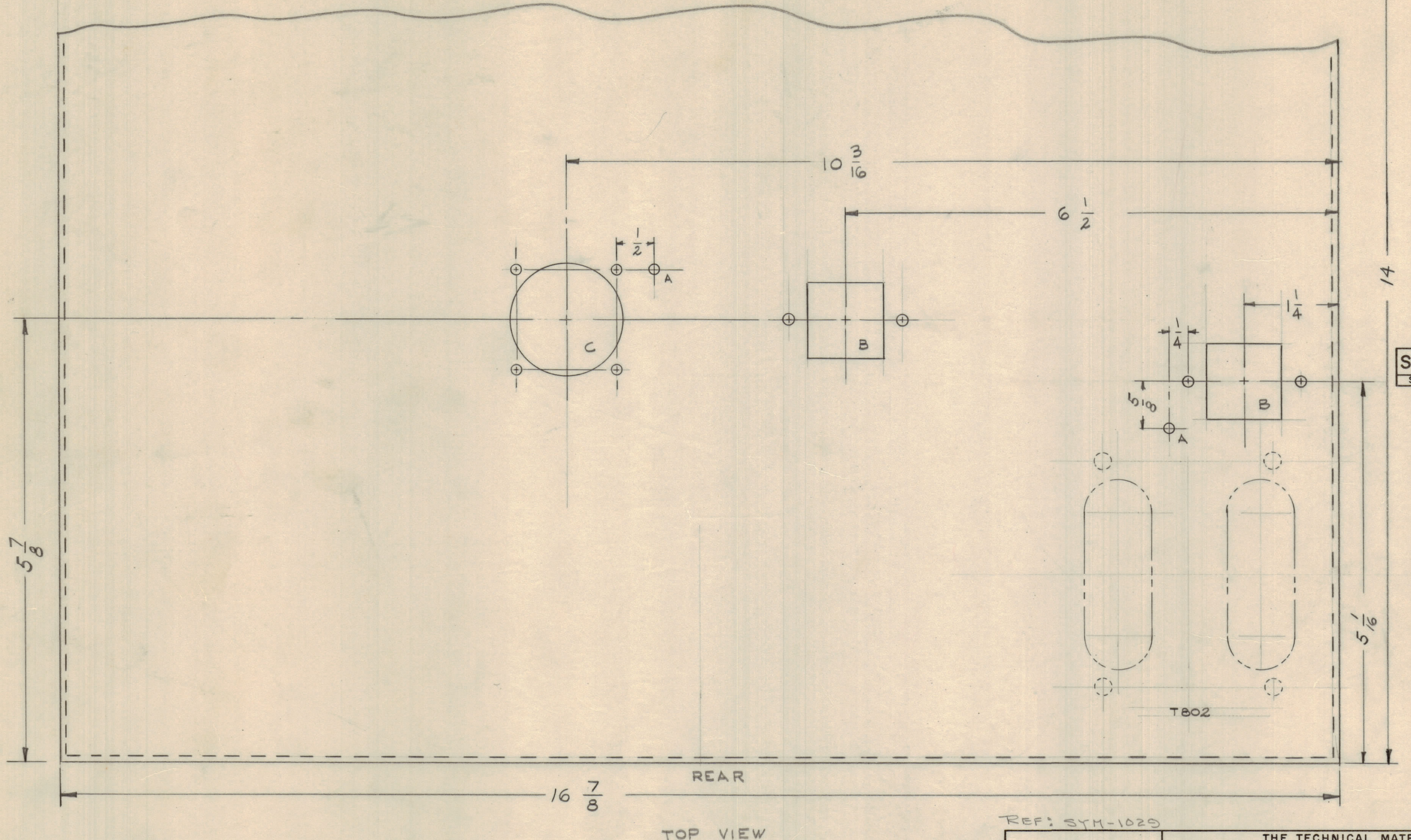
B ~ SEE DETAIL BELOW 2 REQ



B - 2 REQ.



"C"
1-REQ



TOP VIEW

NOTE:
ALL DIMENSIONS IN INCHES.
EXISTING HOLES SHOWN IN
DOTTED LINE.

SY-1127-3	
SYSTEM DWG. NO.	NO. OF SH.

FOR SALES USE ONLY NOT FOR MANUFACTURING

REF: SYM-1029

THE TECHNICAL MATERIEL CORP. MAMARONECK, NEW YORK SYSTEMS DEPARTMENT			
STOCK SIZE	SALES ORDER NUMBER C-11208	PROPOSAL NUMBER	QR NUMBER
MATERIAL	TITLE: MACHINING DRAWING RTC CHASSIS MODIFICATION FOR USE OF CARBON & DYNAMIC MIKE		
TYPE & TEMPER HEAT TREAT. SPEC.	10 18 60	ME	SY-11273
FINISH & SPEC NO.	DRAWN BY	DATE	FINAL APPROVAL
			SYSTEM DWG. NO. NO. OF SH.