

IF IT IS FOUND DESIRABLE TO CHANGE ANY TOLERANCE OR OTHER DETAIL SPECIFIED ON THIS DRAWING NOTIFY THE PURCHASER PROMPTLY.

SX-100 A

MAXIMUM ALLOWABLE TOLERANCES HAVE BEEN DETERMINED AND DEVIATIONS WILL BE CAUSE FOR REJECTION. REMOVE ALL BURRS AND SHARP EDGES

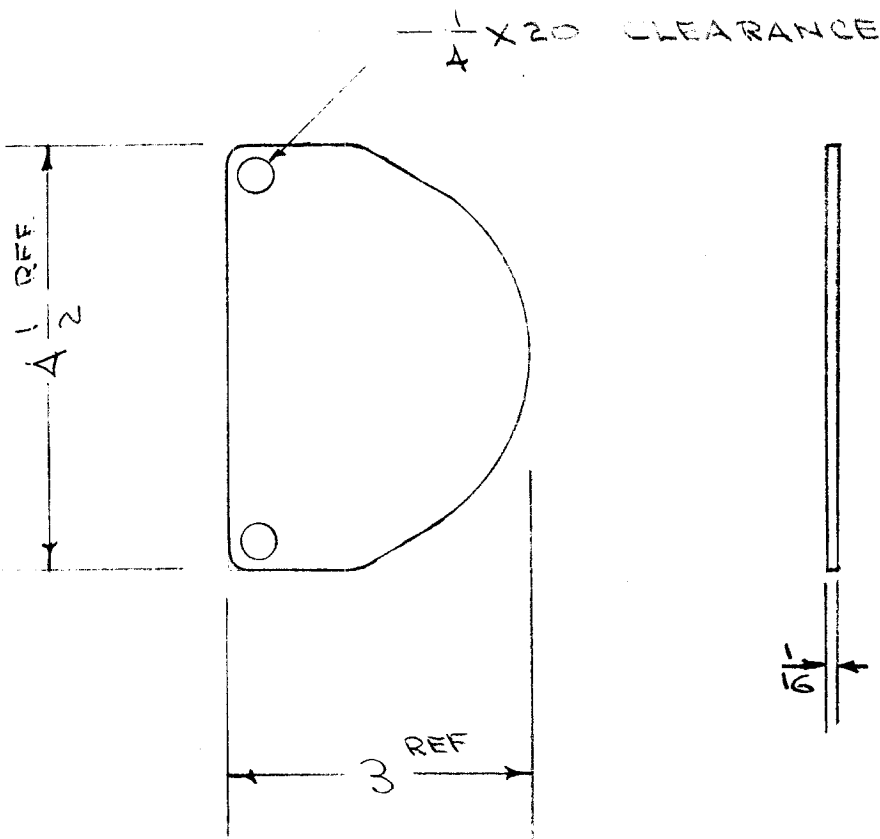
USED ON

MODEL

PROJECT NO.

ASS'Y. NO.

DATE



REF: BARKER & WILLIAMSON CO. PART NO. N6

REQ.	ITEM	PART NO.	DESCRIPTION	SYMBOL
			THE TECHNICAL MATERIEL CORP. MAMARONECK, NEW YORK	
		STOCK SIZE	PLATE, CAPACITOR, STATOR	
		MATERIAL	P/O CB-115	
		WEIGHT PER PC.		
		TYPE & TEMPER	C.P.D. 6/9/5A	APP
			DRAWN	ELEC. DES. APP.
			CHECKED	MECH. DES. APP.
		HEAT TREAT. SPEC.		
		FINISH & SPEC. NO.		
				SX-100 A

A	I	DIMENSIONS ADDED	8/10/54	1	CDD	JAL	APP
ISSUE	ITEM	CHANGED FROM	DATE	CN. NO.	DRAFTS	CHECKER	ENG. APP.
TOLERANCES		SCALE					
ALL OTHERS	DEC. DIM. ± FRAC. DIM. ± ANGULAR DIM. ±	DRILL, PUNCH, COMMERCIAL STOCK SIZES AND MANUFACTURERS TOLERANCES ARE NOT INCLUDED.					

IF IT IS FOUND DESIRABLE TO CHANGE ANY TOLERANCE OR OTHER DETAIL SPECIFIED ON THIS DRAWING NOTIFY THE PURCHASER PROMPTLY.

SX-101 A

MAXIMUM ALLOWABLE TOLERANCES HAVE BEEN DETERMINED AND DEVIATIONS WILL BE CAUSE FOR REJECTION. REMOVE ALL BURRS AND SHARP EDGES

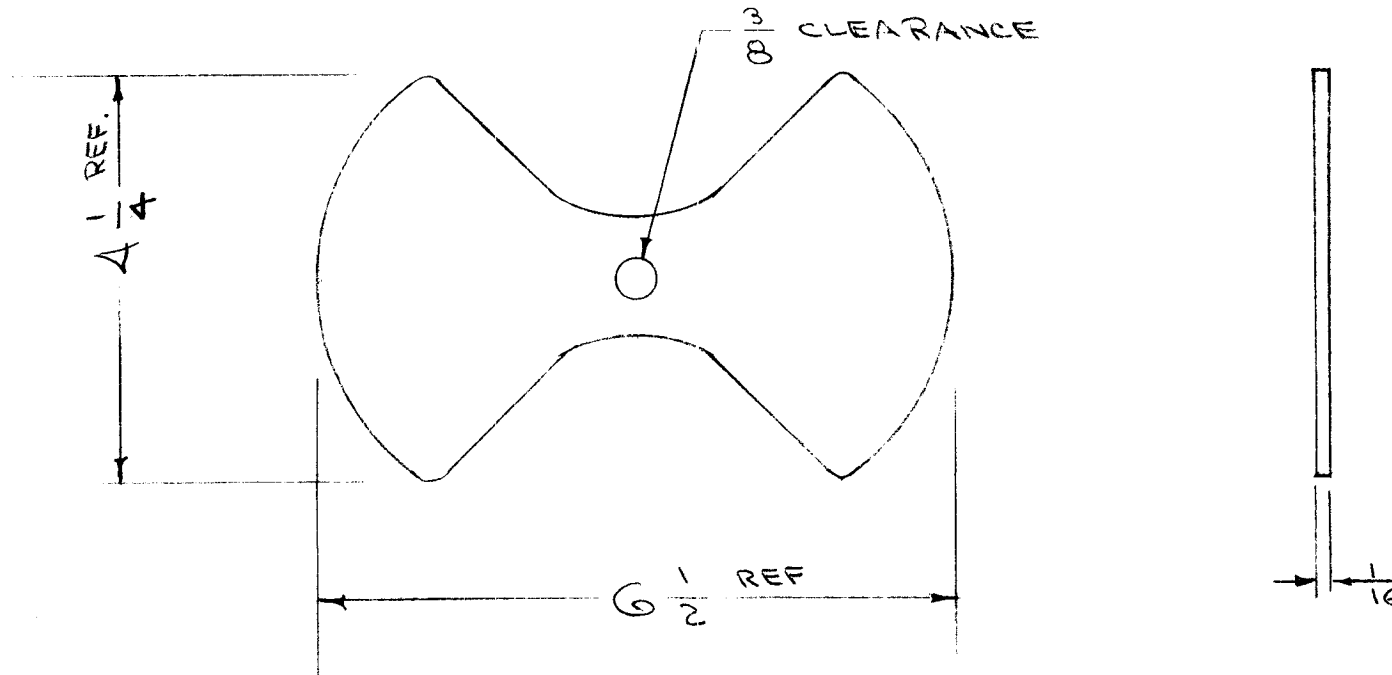
USED ON

MODEL

PROJECT NO.

ASS'Y. NO.

DATE



REF: BARKER & WILLIAMSON CO. PART NO. N5

REQ.	ITEM	PART NO.	DESCRIPTION	SYMBOL
			THE TECHNICAL MATERIEL CORP.	
			MAMARONECK. NEW YORK	
			PLATE, CAPACITOR, ROTOR	
			P/O CB-115	
			C.D.D. 6/9/54	WJE
			DRAWN	ELEC. DES. APP. MECH. DES. APP.
			CHECKED	FINAL APPROVAL
				SX-101 A

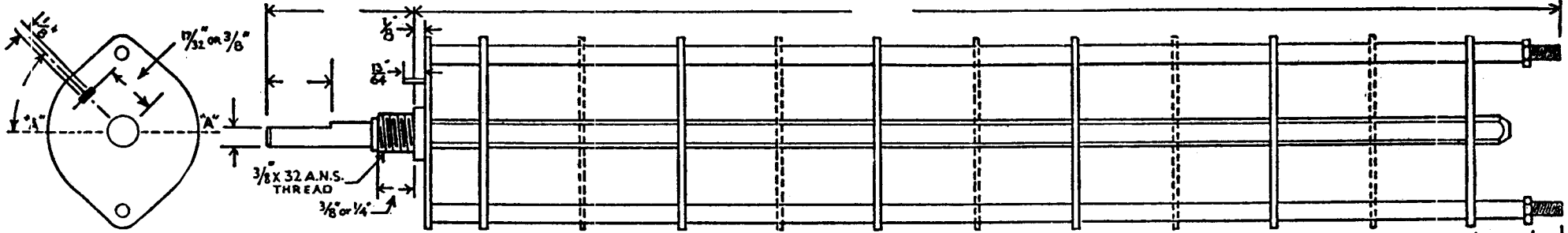
ISSUE	ITEM	CHANGED FROM	DATE	CN. NO.	DRAFTS	CHECKER	ENG. APP.
A	1	DIMENSIONS ADDED	8/10/54	1	C.D.D.	WJE	OMP

TOLERANCES	SCALE
ALL OTHERS DEC. DIM. ± FRAC. DIM. ± ANGULAR DIM. ±	DRILL, PUNCH, COMMERCIAL STOCK SIZES AND MANUFACTURERS TOLERANCES ARE NOT INCLUDED.

CUSTOMER'S SX102
CORP PART NO. SX102
CUSTOMER THE TECHNICAL MATERIEL
OAK MFG. CO.
1260 CLYBORN AVE., CHICAGO 10, ILL.

OAK TYPE (H, HC, DH, DHC, QH, GDH, QHC, GDHC,) SWITCH

CIRCLE TYPE DESIRED

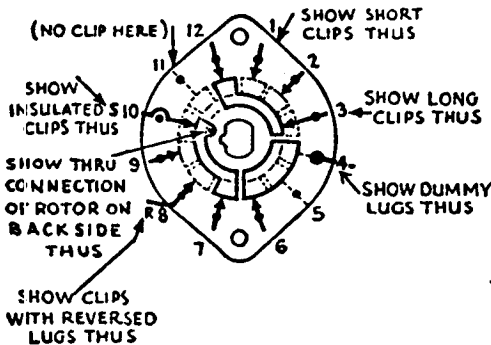


DRAW IN FLAT ON ABOVE SHAFT IN EXTREME COUNTER CLOCKWISE POSITION AND SHOW ANGLE IN REFERENCE TO LINE "A-A"

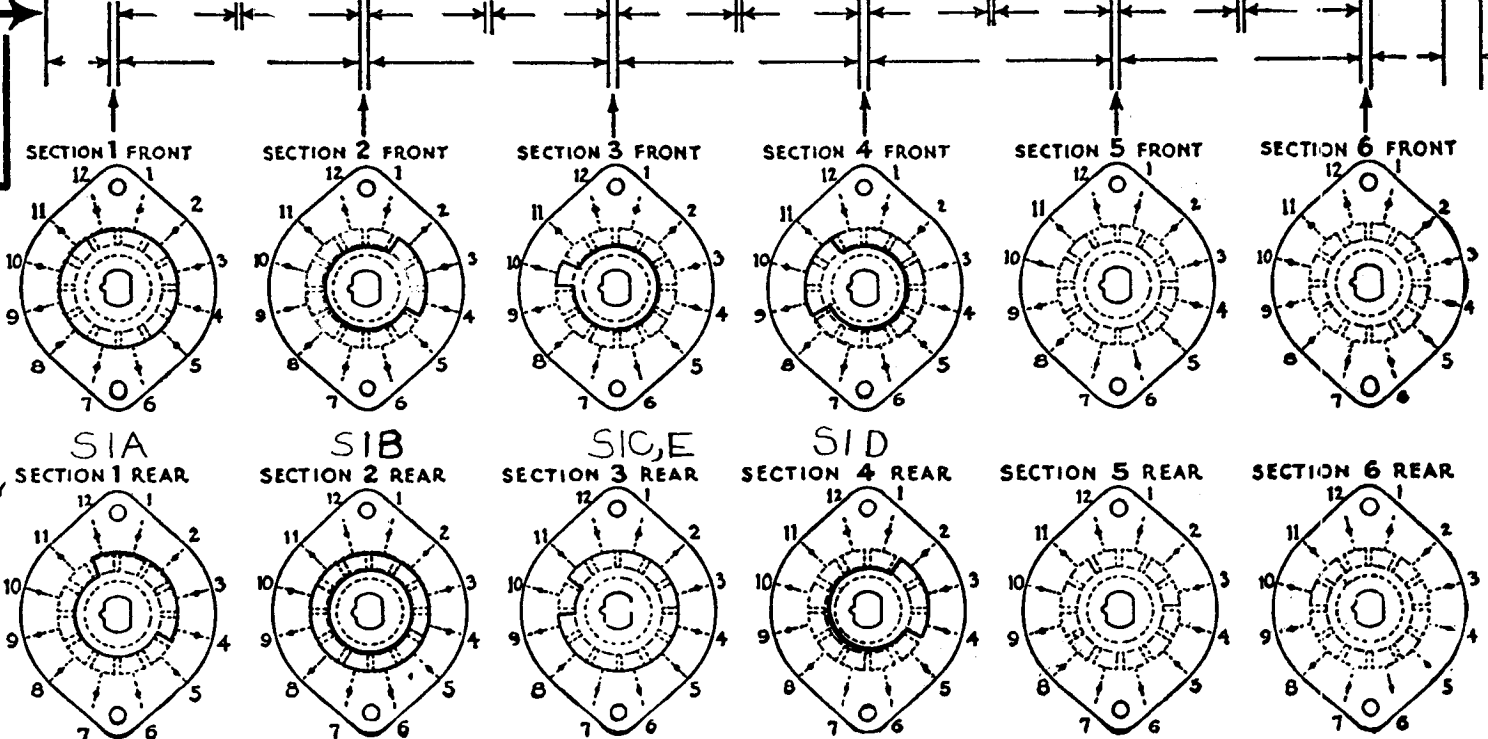
FRONT AND REAR OF SECTIONS VIEWED FROM FRONT OR KNOB END OF SWITCH IN EXTREME COUNTER-CLOCKWISE POSITION

TOTAL NO. OF SECTIONS _____

NO. OF POSITIONS _____



OUTLINE ROTOR BLADES AS ABOVE IN EXTREME COUNTER-CLOCKWISE (LEFT) POSITION



FILL IN ALL DIMENSIONS INDICATED ABOVE AND CHECK ALL SPECIFICATIONS BELOW. REFER TO OAK ENGINEERING DATA SHEETS FOR STANDARD DIMENSIONS OF TYPE DESIRED AND FOR SPECIMEN OF THIS LAYOUT SHEET. TO OBTAIN MOST ECONOMICAL UNITS AND SHORTEST DELIVERY DATES PLEASE ADHERE TO THE STANDARDS AS CLOSELY AS POSSIBLE.

SPECIFICATIONS

SHORTING TYPE CONTACTS NON-SHORTING IF NOT SPECIFIED SHORTING TYPE WILL BE SUPPLIED.

INSULATION: BAKELITE ; CERAMIC SPECIFY IMPREGNATION IF REQUIRED _____

FINISH REQUIREMENTS: COMMERCIAL ; ARMY ; NAVY ; SALT TEST (IF ANY GIVE DETAILS) _____

CONTACTS AND ROTORS: SILVER PLATED BRASS ; SOLID SILVER ALLOY ; IF NOT SPECIFIED SILVER PLATED BRASS WILL BE SUPPLIED.

MOUNTING HARDWARE: SUPPLY _____ 3/8" - 32 NUTS _____ ACROSS FLATS; MATERIAL _____ PLATING _____
 _____ 3/8" INTERNAL TOOTH LOCKWASHER; MATERIAL _____ PLATING _____

STAMP PART NUMBER _____ ON FRONT PLATE, YES NO

(NUMBER)

CUSTOMER NOTES

ROTOR BLADE TYPE H

GPR BANDSWITCH

ROTOR SIA REAR
 ROTOR SIB FRONT
 ROTOR SIB REAR
 ROTOR SIE FRONT
 ROTOR SIE REAR
 ROTOR SID FRONT
 ROTOR SID REAR
 REF. BM 224

G.T.O

SX102

DATE 4/6/55

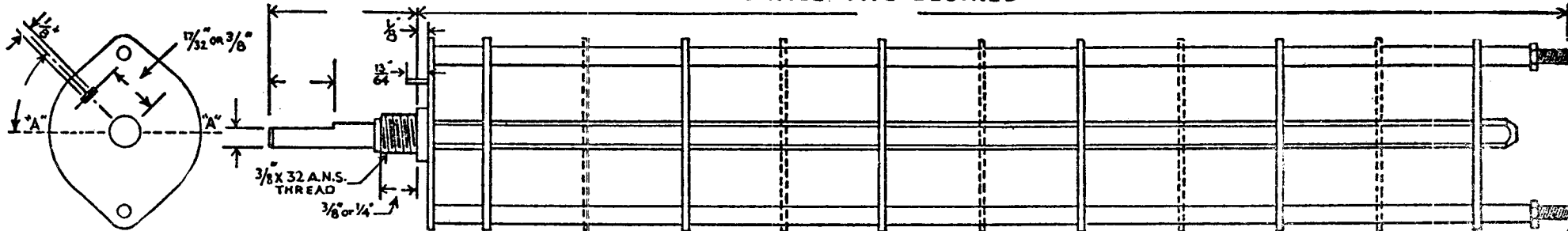
OAK TYPE (H, HC, DH, DHC, QH, QDH, QHC, QDHC.)

SWITCH

SX-103

CIRCLE TYPE DESIRED

CUSTOMER'S PART NO.

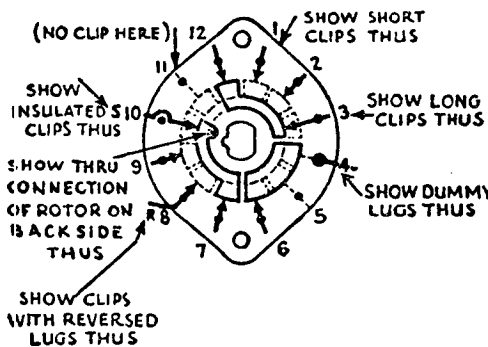


DRAW IN FLAT ON ABOVE SHAFT IN EXTREME COUNTER CLOCKWISE POSITION AND SHOW ANGLE IN REFERENCE TO LINE "A-A"

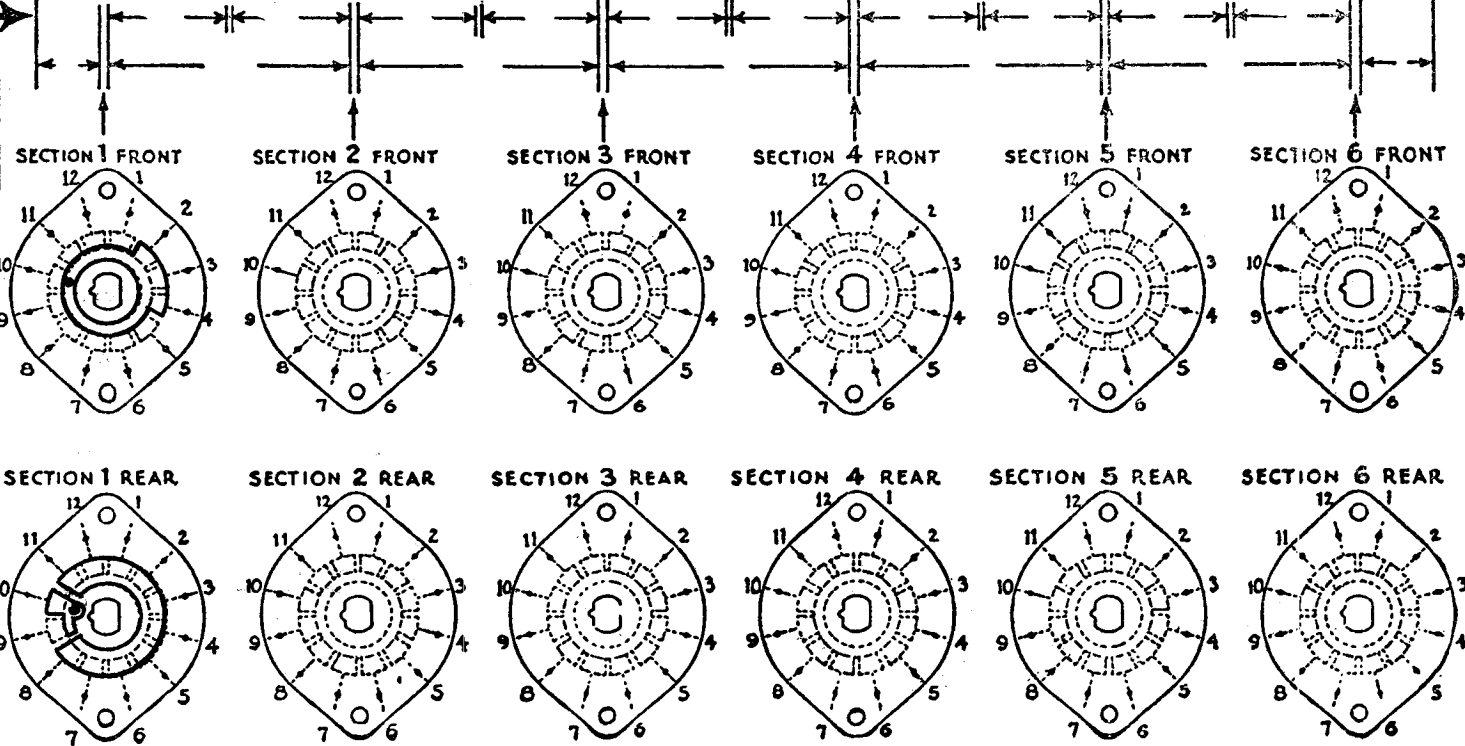
FRONT AND REAR OF SECTIONS VIEWED FROM FRONT OR KNOB END OF SWITCH IN EXTREME COUNTER-CLOCKWISE POSITION

TOTAL NO. OF SECTIONS _____

NO. OF POSITIONS _____



OUTLINE ROTOR BLADES AS ABOVE IN EXTREME COUNTER-CLOCKWISE (LEFT) POSITION



FILL IN ALL DIMENSIONS INDICATED ABOVE AND CHECK ALL SPECIFICATIONS BELOW. REFER TO OAK ENGINEERING DATA SHEETS FOR STANDARD DIMENSIONS OF TYPE DESIRED AND FOR SPECIMEN OF THIS LAYOUT SHEET. TO OBTAIN MOST ECONOMICAL UNITS AND SHORTEST DELIVERY DATES PLEASE ADHERE TO THE STANDARDS AS CLOSELY AS POSSIBLE.

SPECIFICATIONS

SHORTING TYPE CONTACTS NON-SHORTING IF NOT SPECIFIED SHORTING TYPE WILL BE SUPPLIED.
 INSULATION: BAKELITE ; CERAMIC SPECIFY IMPREGNATION IF REQUIRED _____
 FINISH REQUIREMENTS: COMMERCIAL ; ARMY ; NAVY ; SALT TEST (IF ANY GIVE DETAILS) _____
 CONTACTS AND ROTORS: SILVER PLATED BRASS ; SOLID SILVER ALLOY ; IF NOT SPECIFIED SILVER PLATED BRASS WILL BE SUPPLIED.
 MOUNTING HARDWARE: SUPPLY _____ 3/8" - 32 NUTS _____ ACROSS FLATS; MATERIAL _____ PLATING _____
 _____ 3/8" INTERNAL TOOTH LOCKWASHER; MATERIAL _____ PLATING _____
 STAMP PART NUMBER _____ ON FRONT PLATE, YES NO

(NUMBER)

CUSTOMER NOTES

ROTOR BLADE TYPE H
 GPR BANDSWITCH
 S-1C FRONT + REAR
 S-1E FRONT + REAR
 REF. BM 224
 P.L.K.
 G.T.O.
 8X103
 DATE 5/2/55

CUSTOMER

OAK MFG. CO.
 1260 CLYBORN AVE., CHICAGO 10, ILL.