

DESG	DIMENSION	TOL±	REMARKS
A	1-3/8		FOOT MOUNT ONLY
B	13/16		FOOT MOUNT ONLY
C	5.19		NOM. OVERALL
D	—		N/A
E	1-3/4		MAX OVER CLIPS
F	4-51	1/32	FROM FOOT P.K.T. TO SHAFT END
G	2 3/4		TOTAL LENGTH FOR FOOT MOUNT
H	1 7/8	1/32	FOOT MOUNT ONLY
J	19/32		
K	.707	REF	
L	19/64	1/32	LAST WAFER TO DETENT
M	—		N/A
N	1-5/32		
P	2.0	MAX	FOOT MOUNT ONLY

REVISIONS						
ZONE	LTR	DESCRIPTION	DATE	DRAFT	CHK'D	APPD
	X1	F' DIM. WAS 5 1/2	9-20-77		GDL	
	X2	ROTOR POSITION CLARIFIED	10-21-77		GDL	
	X3	CHANGED THE WAY THE CA. DIM MEASURED	11-21-77		PH	
	Ø	ORIGINAL RELEASE FOR PRODUCTION	6-5-78	PH	WJB	*

SWITCH SPECIFICATIONS

MECHANICAL
 ROTATION OF SOLENOID (VIEWED FROM SOLENOID END)
 NO. OF SECTIONS: 1
 NO. OF POSITIONS 12
 ANGLE THROW 30°
 TYPE MOUNTING FOOT
 SOLENOID CONNECTIONS: WIRE LEADS

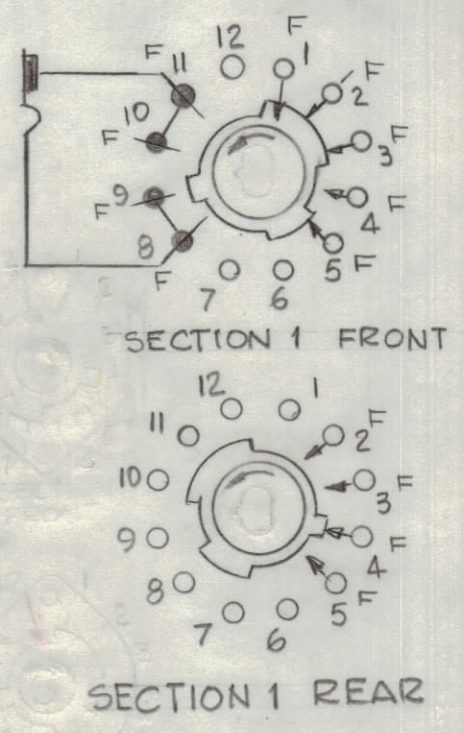
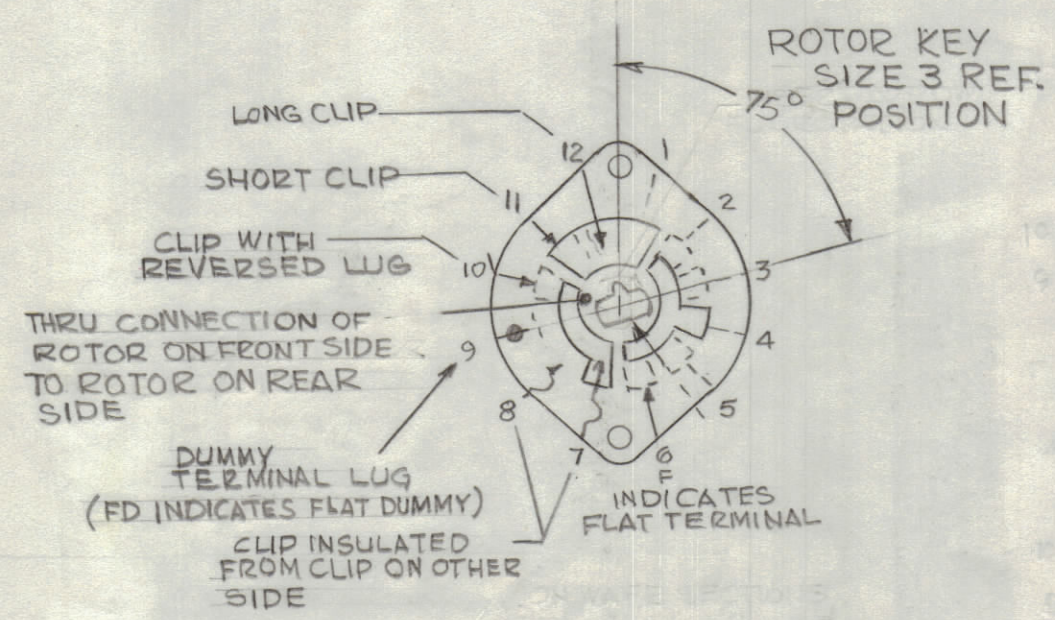
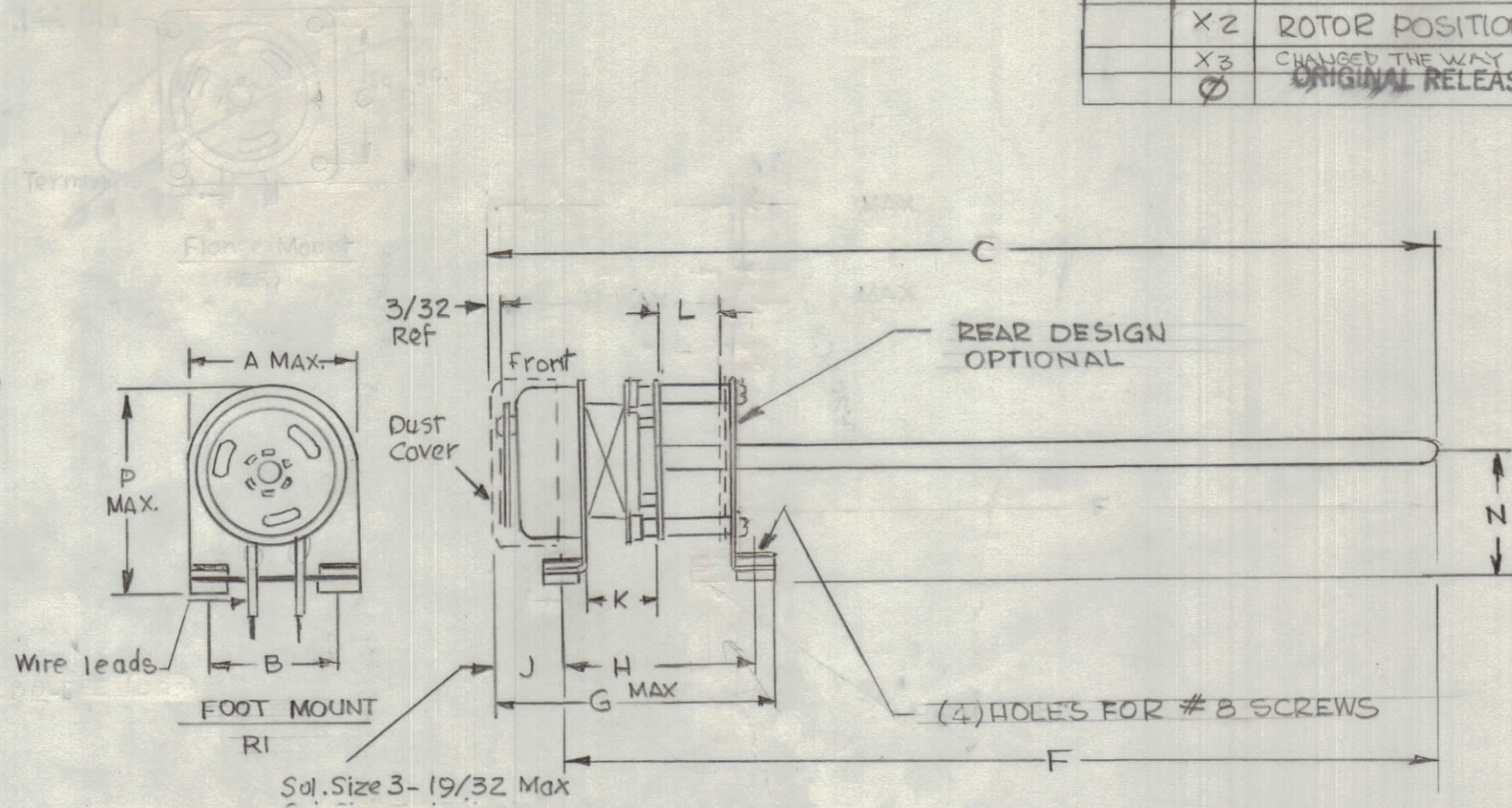
CONTACTS:
 HOMING NOTCH TYPE SECTION 1
 ISOLATED INTERRUPTER

SILVER ALLOY
 WAFER MATERIAL: PHENOLIC
 FINISH: 50HR. SALT SPRAY
 OPR. TEMP. 20°C
 WAFER TYPE F OR EQUIV.

ELECTRICAL SPECIFICATIONS:
 CURRENT RATING: CARRY 5 AMP RESISTIVE MAX
 BREAK @ 24 VOLTS 2.0 AMP RESISTIVE MAX.
 BREAK @ 115 VOLTS .5 AMP RESISTIVE MAX
 DIELECTRIC STRENGTH: 1000V CLIP TO CLIP 500V INSULATED
 CLIPS BACK TO BACK

COIL SPECIFICATIONS:
 SOLENOID SIZE: 3E
 COIL RESISTANCE @ 20°C. 8.02 OHMS
 VOLTAGE: 28 VDC MIN
 GROSS STARTING TORQUE @ 20°C
 DUTY CYCLE: 1/10
 ROTARY STROKE ANGLE: 35°
 ELECTRIC STRENGTH: 1200 VRMS
 DUST COVER REQUIRED

- NOTES**
- VIEW WAFERS FROM SOLENOID END OF SWITCH
 - REAR SIDE OF WAFER VIEWED AS IF LOOKING THROUGH WAFERS, FROM SOLENOID END
 - ORIENTATION OF WAFER IS WITH PIN 1, IN THE ONE O'CLOCK POSITION, AS IS VIEWED FROM THE SOLENOID END WITH SOLENOID CONNECTING WIRES OR TERMINALS FACING DOWN.
 - SHALL BE PROVIDED WITH HEAVY DUTY OVERTHROW LATCH AND MECHANISM.
 - 14 SPACERS FOR ADDITIONAL SWITCH SECTIONS APPROX. 3/16" TO BE PROVIDED AS LOOSE ITEMS.



SYMBOLS USED IN MARKING PRINT

	INTERPRET DRAWING PER LISTED DOCUMENTS
	DIMENSIONING MIL - STD - 8 SURFACE ROUGHNESS MIL - STD - 19 ABBREVIATIONS MIL - STD - 12 ELECTRONIC SYMBOLS MIL - STD - 15 WELDING SYMBOLS JAN - STD - 19
MMXR-2B	USED ON
NEXT ASSY	APPLICATION

NOTICE TO PERSONS RECEIVING THIS DRAWING
 THE TMC SYSTEMS AND POWER CORPORATION claims proprietary right in the material disclosed hereon. This drawing is issued in confidence for engineering information only and may not be reproduced or used to manufacture anything shown hereon without permission from THE TMC SYSTEMS AND POWER CORPORATION to the user. This drawing is loaned for mutual assistance and is subject to recall at any time.

QTY. REQ.	ITEM	PART NO.	DESCRIPTION	SYMBOL
LIST OF MATERIAL				
THE TMC SYSTEMS AND POWER CORPORATION SPRINGFIELD, VIRGINIA				
SWITCH, ROTARY, SOLENOID				
FINAL APPROVAL * GDB		DATE 6/2/78		
MECH. DES. PH		DATE 11-29-77		
ELECT. DES.		DATE		
CHECKED GDB		DATE 11/29/77		
DRAWN GDL		DATE 7-19-77		
MATERIAL			SIZE CODE IDENT. NO. DWG. NO.	ISSUE
FINISH			C 24146 SW567	Ø
SCALE —			SHEET	OF

SW567