

SWITCH SPECIFICATIONS

MECHANICAL

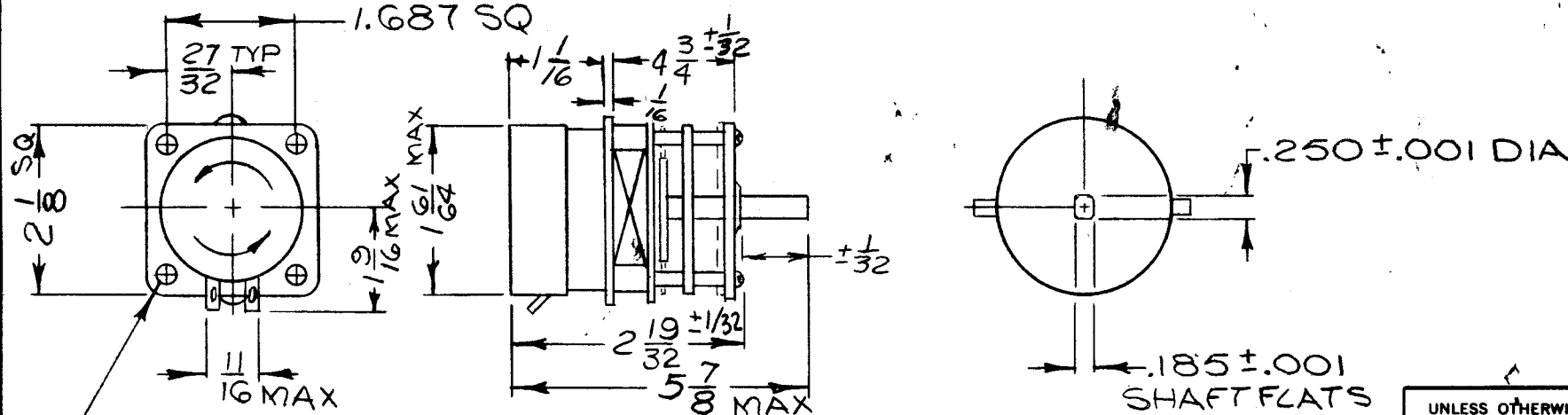
NO. OF SECTIONS : 1
 NO. OF POSITIONS : 12
 ANGLE OF THROW : 30°
 CONTACT MAT'L : SOLID SILVER ALLOY
 WAFER MAT'L : PHENOLIC
 FINISH : 50 HR. SALT SPRAY

ELECTRICAL

CURRENT : CARRY 5 AMPS
 BREAK @ 24±2 VDC : 2.5 AMPS RESISTIVE MAX.
 BREAK @ 115 VDC : 5 AMPS RESISTIVE MAX.
 DIELECTRIC STRENGTH : 1000 V CLIP TO CLIP
 500 V INSULATED CLIPS BACK TO BACK

COIL SPECIFICATIONS

SOLENOID SIZE : 5B
 COIL RESISTANCE AT 20°C : 10 OHMS
 GROSS STARTING TORQUE : FOR 1/10 DUTY CYCLE AND 35° STROKE - 1.88 POUND INCHES
 VOLTAGE : 24±2 VDC TO BE OPERATED THRU INTERRUPTER SWITCH
 HOMING DECK AT ALL TIMES
 TEMP : 0° TO 60°C
 EXTERNAL LOAD : 8 OZ IN TO BE ATTACHED TO SHAFT



.166 DIA (4 REQ.)

1	LPA-2	
QTY / UNIT	MODEL USED ON	ASS'Y NO.
APPLICATION		
	CODE	
	C	

NOTICE TO PERSONS RECEIVING THIS DRAWING
 THE TECHNICAL MATERIEL CORPORATION claims proprietary right in the material disclosed hereon. This drawing is issued in confidence for engineering information only and may not be reproduced or used to manufacture anything shown hereon without permission from THE TECHNICAL MATERIEL CORPORATION to the user. This drawing is loaned for mutual assistance and is subject to recall at any time.

UNLESS OTHERWISE SPECIFIED DIMENSIONS ARE IN INCHES AND INCLUDE CHEMICALLY APPLIED OR PLATED FINISHES

DECIMALS	FRACTIONS
.X ± .05	1/64
.XX ± .01	TOLS. ANGLES
.XXX ± .005	0° - 30'

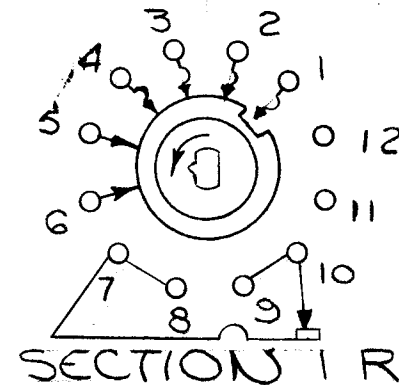
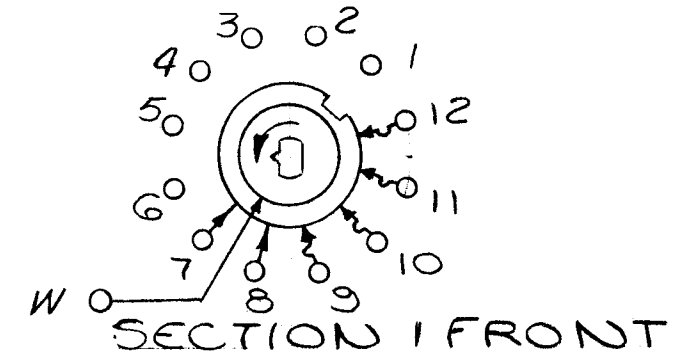
MATERIAL SEE SPEC

FINISH SEE SPEC

REVISIONS						
ZONE	LTR	DESCRIPTION	DATE	E.M.N.NO	DRAFT	CHKD
	X	EXP. RELEASE	2-20-68			
	Ø	ORIG. RELEASE FOR PROD.	5-31-68		RG	
	A	REVISED & UPDATED	6-26-68	19493	GE	KH

NOTES:

1. VIEW WAFERS FROM SOLENOID END OF SWITCH
2. REAR SIDE IS SHOWN, LOOKING THROUGH WAFER FROM SOLENOID
3. WAFER IS ORIENTED WITH PIN 1 IN THE TWO O'CLOCK POSITION AS VIEWED FROM SOLENOID WITH TERMINAL CONNECTING WIRES FACING DOWN
4. ROTATION IS IN THE DIRECTION SHOWN BY THE ARROWS
5. WAFERS ARE SHOWN IN POSITION N° 1



REQ'D	ITEM	PART NUMBER	DESCRIPTION	SYM.
F. BUDETTI		LIST OF MATERIAL		
FINAL APPROVAL		DATE	THE TECHNICAL MATERIEL CORP.	
MECH. DES.		DATE	MAMARONECK, NEW YORK	
ELECT. DES.		DATE	SWITCH, ROTARY, SOLENOID	
CHECKED		DATE		
DRAWN		DATE		
SIZE	CODE IDENT. NO.	DWG NO.	ISSUE	
B	82679	SW 460	A	
SCALE - NONE			SHEET	OF
			1	