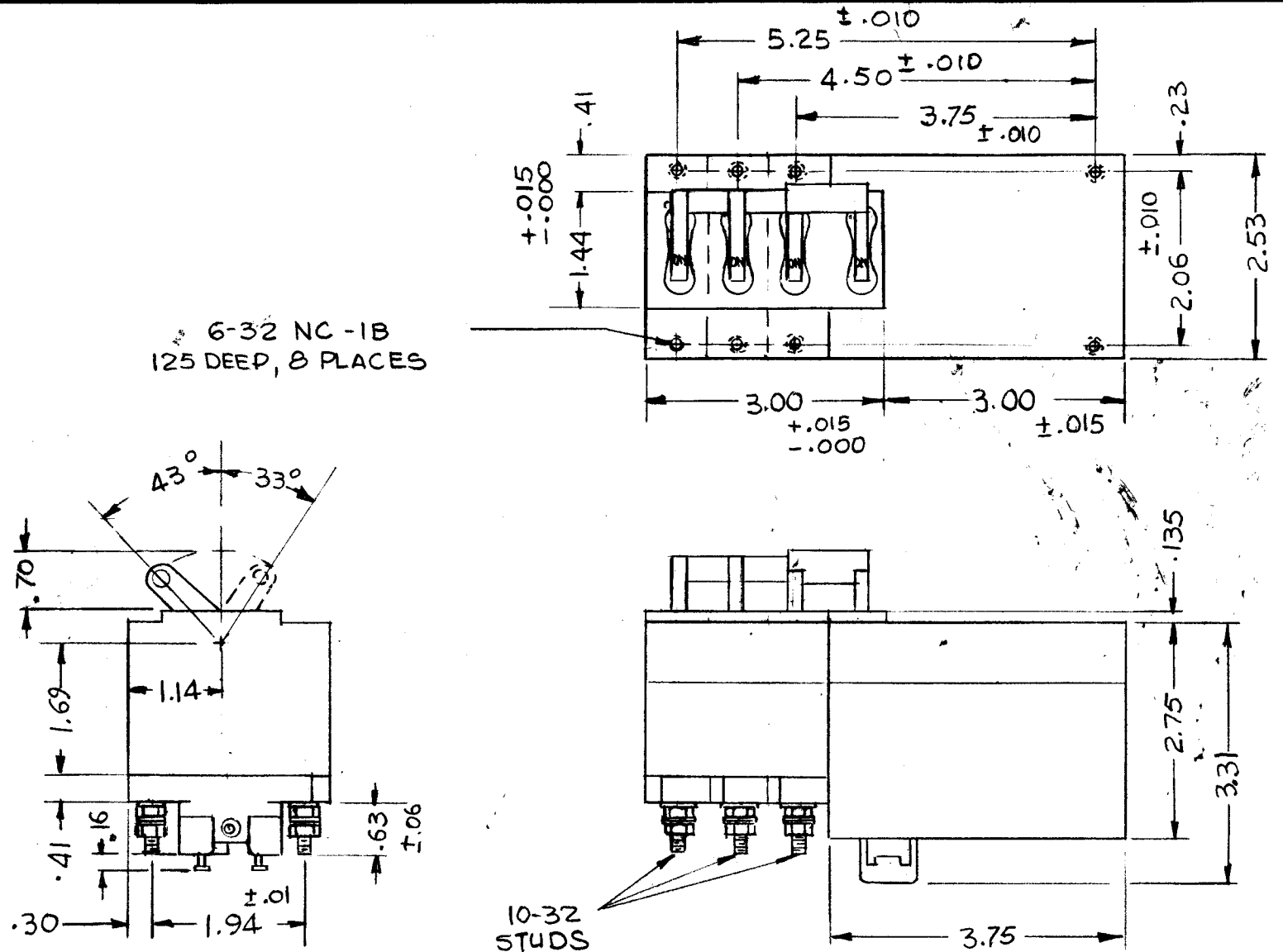


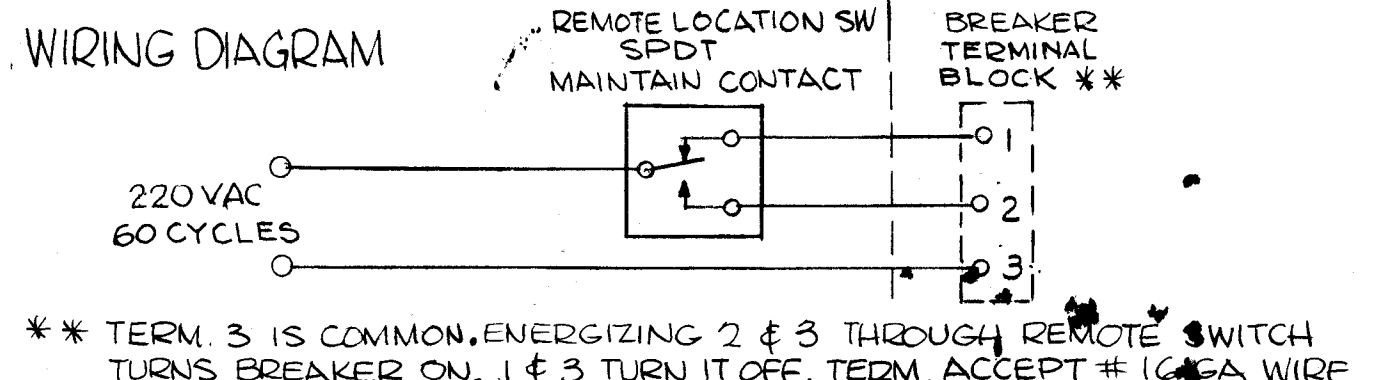
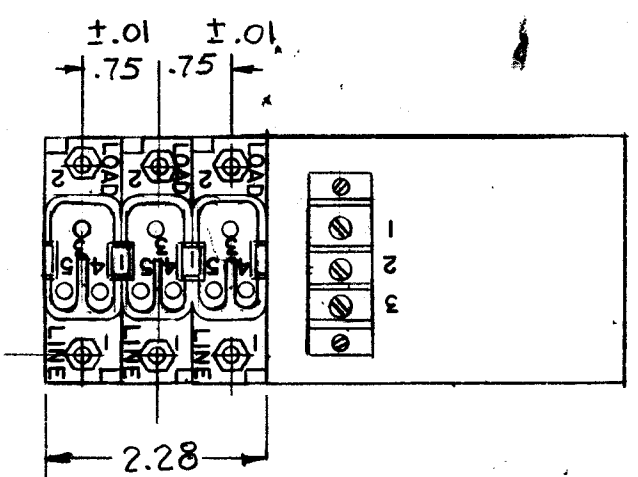
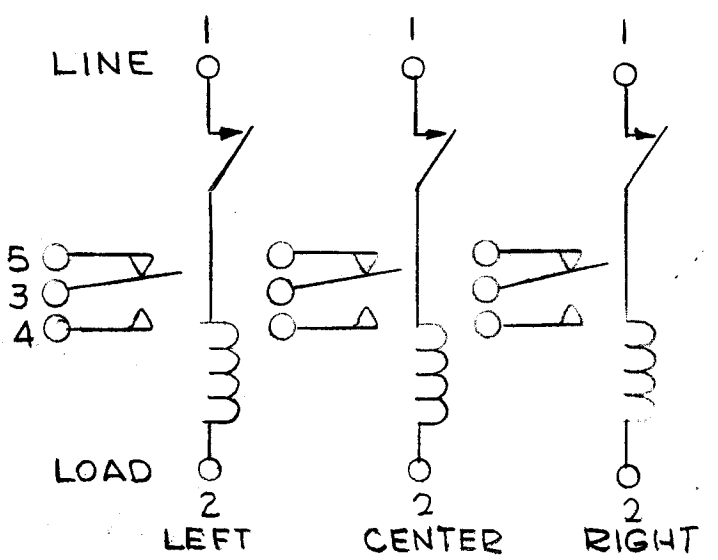
STANDARD DRAWING

SW 427

REVISIONS						
SYM	DESCRIPTION	DATE	E.M.N. NO.	DRAFT	CHKD	APPD
X	EXPER. RELEASE	8-17-66		G.D.L.		
X1	ON SCHEMATIC CENTER & RT, TERM 1 & 2 WERE A & B HARDWARE ADDED TO SPECS., WRG DIAGRAM REV.	11/11/66	VM	Jc		
X2	220VAC WAS 120V	11-29-66	X2	WREY	RJD	
Ø	ORIGINAL RELEASE FOR PRODUCTION	12.16.66	Ø	RME		



- SPECIFICATIONS -
 NO. OF POLES: 3W/3PDT AUXILIARY
 VOLTAGE RATING: 250V 50/60 CPS AC
 TRIP: COMMON
 CASE: PLASTIC, FUNGUS & MOISTURE TREATED
 HARDWARE: FOR TERMINALS ONLY, TO BE SUPPLIED BY MFG.



REQ'D.	ITEM	PART NUMBER	DESCRIPTION	SYMBOL
	BUDETTI LIST OF MATERIAL			

MATERIAL		THE TECHNICAL MATERIEL CORP. MAMARONECK, NEW YORK			
FINISH		TITLE CIRCUIT, BREAKER MOTORIZED			
UNLESS OTHERWISE SPECIFIED DIMENSIONS ARE IN INCHES AND INCLUDE CHEMICALLY APPLIED OR PLATED FINISHES		DRAWN G.D.L. CHECKED ELECT. DES. MECH. DES.	DATE 8-16-66 DATE 11/11/66 DATE	FINAL APPROVAL DATE 12/14/66 SHEET SW 427	DATE REV. LTR.

1	TCP-2	A5254
Q'TY./UNIT	MODEL USED ON	ASS'Y. NO.
SCALE DO NOT SCALE	CODE C	S401-58 103-333-HHHE-30-250 AC5

THE CONTENTS OF THIS DRAWING ARE THE EXCLUSIVE PROPERTY OF THE TECHNICAL MATERIEL CORP. ITS UNAUTHORIZED USE OR REPRODUCTION IN WHOLE OR IN PART IS STRICTLY FORBIDDEN.

NOTES