

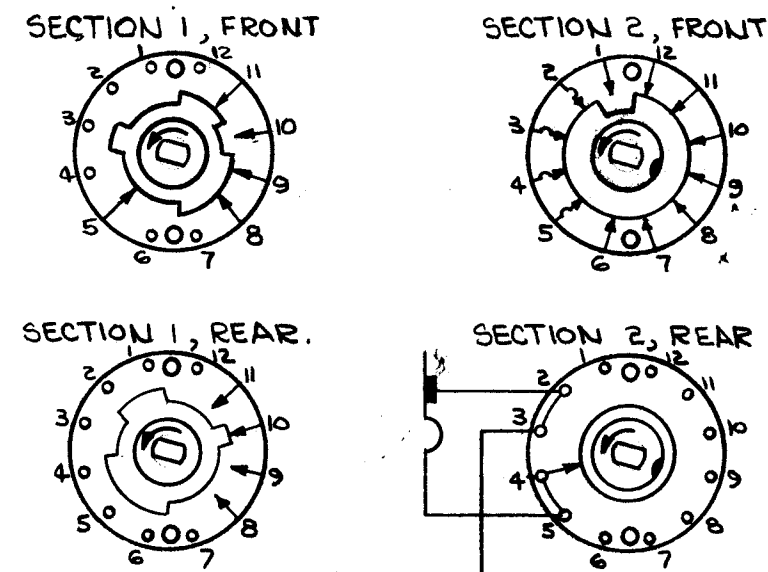
SW374

REVISIONS					
SYM	DESCRIPTION	DATE	E.M.N. NO.	DRAFT	CHKD APPD
X	EXPER. RELEASE	11-19-64	X		
Ø	ORIGINAL RELEASE FOR PRODUCTION	12-7-64	Ø	Ø	

**SWITCH SPECIFICATIONS**

**MECHANICAL:**  
 NUMBER OF SECTIONS: 2  
 NUMBER OF POSITIONS: 12  
 ANGLE OF THROW: 30°  
 CONTACT MATERIAL: SOLID SILVER ALLOY  
 WAFER MATERIAL: PHENOLIC  
 FINISH: 50 HOUR SALT SPRAY

**ELECTRICAL SPECIFICATIONS**  
 CURRENT RATING: CARRY 5 AMPS.; BREAK AMPS RESISTIVE MAX. -2.5 AMPS @24V DC; .5 AMPS @ 115V DC.  
 DIELECTRIC STRENGTH: 1000V CLIP TO CLIP;  
 500V INSULATED BACK TO BACK CLIP.



**NOTE:**

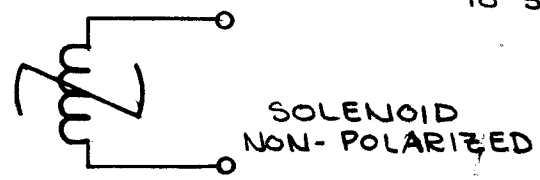
- VIEW DECKS FROM SHAFT END OF SWITCH.
- REAR SIDE IS VIEWED AS IF LOOKING THROUGH DECK, FROM SHAFT END.
- ROTORS ARE ISOLATED FROM EACH OTHER IN SECTION 1.
- ROTORS INTERNALLY CONNECTED IN SECTION 2.
- ROTORS SHOWN IN POSITION #1.
- ROTATION IN DIRECTION OF ARROW, VIEWED FROM SHAFT END.

**COIL SPECIFICATIONS**

- SOLENOID SIZE: 3B
- COIL RESISTANCE AT 20°C: 110 OHMS
- VOLTAGE: 115V. D.C.
- GROSS STARTING TORQUE FOR 1/10 DUTY CYCLE AND 35° STROKE: 1.88 POUND-INCHES

**STANDARD DRAWING**

REQ'D.	ITEM	PART NUMBER	DESCRIPTION	SYMBOL
<b>AALTONEN LIST OF MATERIAL</b>				
MATERIAL			<b>THE TECHNICAL MATERIEL CORP.</b> MAMARONECK, NEW YORK	
FINISH			TITLE <b>SWITCH - SOLENOID, ROTARY</b>	
UNLESS OTHERWISE SPECIFIED DIMENSIONS ARE IN INCHES AND INCLUDE CHEMICALLY APPLIED OR PLATED FINISHES			DRAWN <i>G. Janan</i> CHECKED <i>@</i> DATE 11-19-64 DATE 12-3-64 DATE 12-13-64	FINAL APPROVAL <i>RDX</i> <b>SW374</b> SHEET
DECIMALS .X ± .05 .XX ± .01 .XXX ± .005	TOLERANCES	FRACTIONS ± 1/64 ANGLES ± 0° 30'	MECH. DES. <i>JT</i>	REV. LTR. <i>Ø</i>



**NOTES**

1	TPC-11	
QTY./UNIT	MODEL USED ON	ASS'Y. NO.
SCALE	CODE	#126601-001
		5401-281

THE CONTENTS OF THIS DRAWING ARE THE EXCLUSIVE PROPERTY OF THE TECHNICAL MATERIEL CORP. ITS UNAUTHORIZED USE OR REPRODUCTION IN WHOLE OR IN PART IS STRICTLY FORBIDDEN.