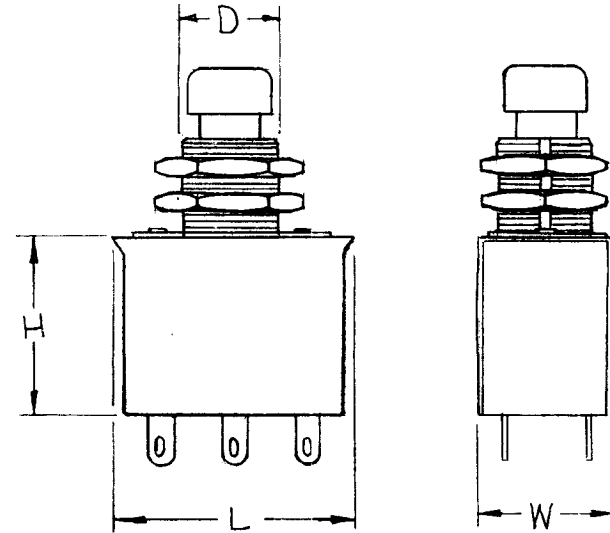


TMC NO.	MFG NO.	DESC	VOLTS	AMPS	L	W	H	D	REQ. PER UNIT	USED ON			
										MODEL	ASS'Y. NO.	DATE	
SW 360-1	SPEMCO #1149	DPDT	125 250	6 3	1-1/4	11/16	15/16	1/2	2	GPT-200K(A396)		5-13-64	SW 360 0



									REQ. ITEM	PART NO.	F. BUDETTI	DESCRIPTION	SYMBOL	
												THE TECHNICAL MATERIEL CORP. MAMARONECK. NEW YORK		
										STOCK SIZE		SWITCH, PUSH BUTTON		
0	ORIG. RELEASE FOR PROD	5-16-64			SRG									
SYM	DESCRIPTION	DATE	CH. NO.	DRAFTS	CHECKER	ENG. APP.				MATERIAL				
UNLESS OTHERWISE SPECIFIED DIMENSIONS ARE IN INCHES AND INCLUDE CHEMICALLY APPLIED OR PLATED FINISHES		SCALE									SRG	aa	RA	
DECIMALS .X ± .05 .XX ± .01 .XXX ± .005	TOLERANCES	FRACTIONS ± 1/64 ANGLES ± 0° 30'	CODE C							TYPE & TEMPER	HEAT TREAT. SPEC.	DRAWN	CHECKED	FINAL APPROVAL
										FINISH & SPEC. NO.	ELEC. DES. APP.	MECH. DES. APP.	SW 360 0	