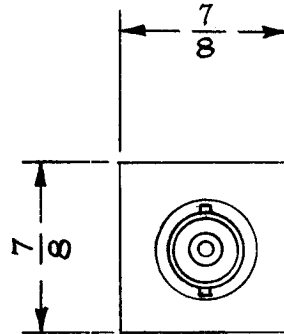
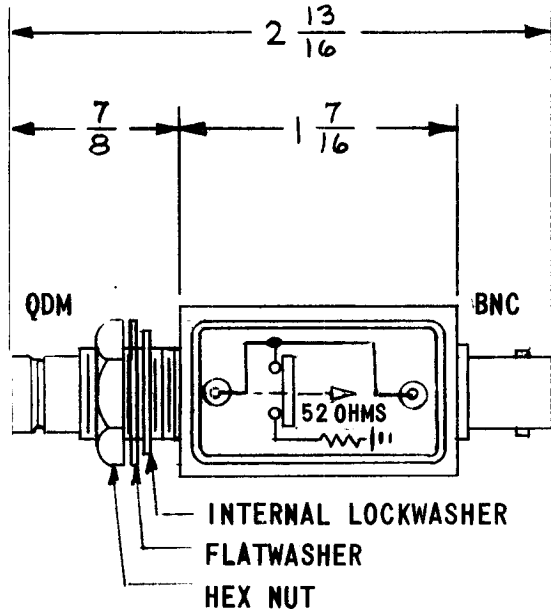


REQ. PER UNIT	USED ON			SW-346	Ø
	MODEL	ASS'Y. NO.	DATE		
1	SW346				



SPECIFICATIONS

CONNECTOR BODIES & CAN: BRASS  
 PANEL MOUNTING MAX THICKNESS: 3/16  
 FINISH: S115 TMC SMOOTH GRAY ENAMEL

NOTES:

NORMAL THROUGH NON-RESISTIVE  
 WHEN QDM IS NOT ENGAGED, RESISTANCE  
 IS 52 ±5% OHMS.

REQ. ITEM	PART NO.	MARTINENGO DESCRIPTION	SYMBOL
		THE TECHNICAL MATERIEL CORP. MAMARONECK. NEW YORK	
	STOCK SIZE	SWITCH, QDM	
Ø	ORIG. REL. FOR PROD.	RESISTIVE TERMINATED	
Ø	R.G.	MATERIAL	
SYM	DESCRIPTION	DATE	CH. NO. DRAFTS CHECKER ENG. APP.
UNLESS OTHERWISE SPECIFIED DIMENSIONS ARE IN INCHES AND INCLUDE CHEMICALLY APPLIED OR PLATED FINISHES		SCALE	
DECIMALS .X ± .05 .XX ± .01 .XXX ± .005	TOLERANCES	FRACTIONS ± 1/64 ANGLES ± 0° 30'	CODE
			2A4682
	FINISH & SPEC. NO.	ELEC. DES. APP.	MECH. DES. APP.
		M. TANTILLO 2-10-64	12-19-64 2-10-64
			SW-346 Ø