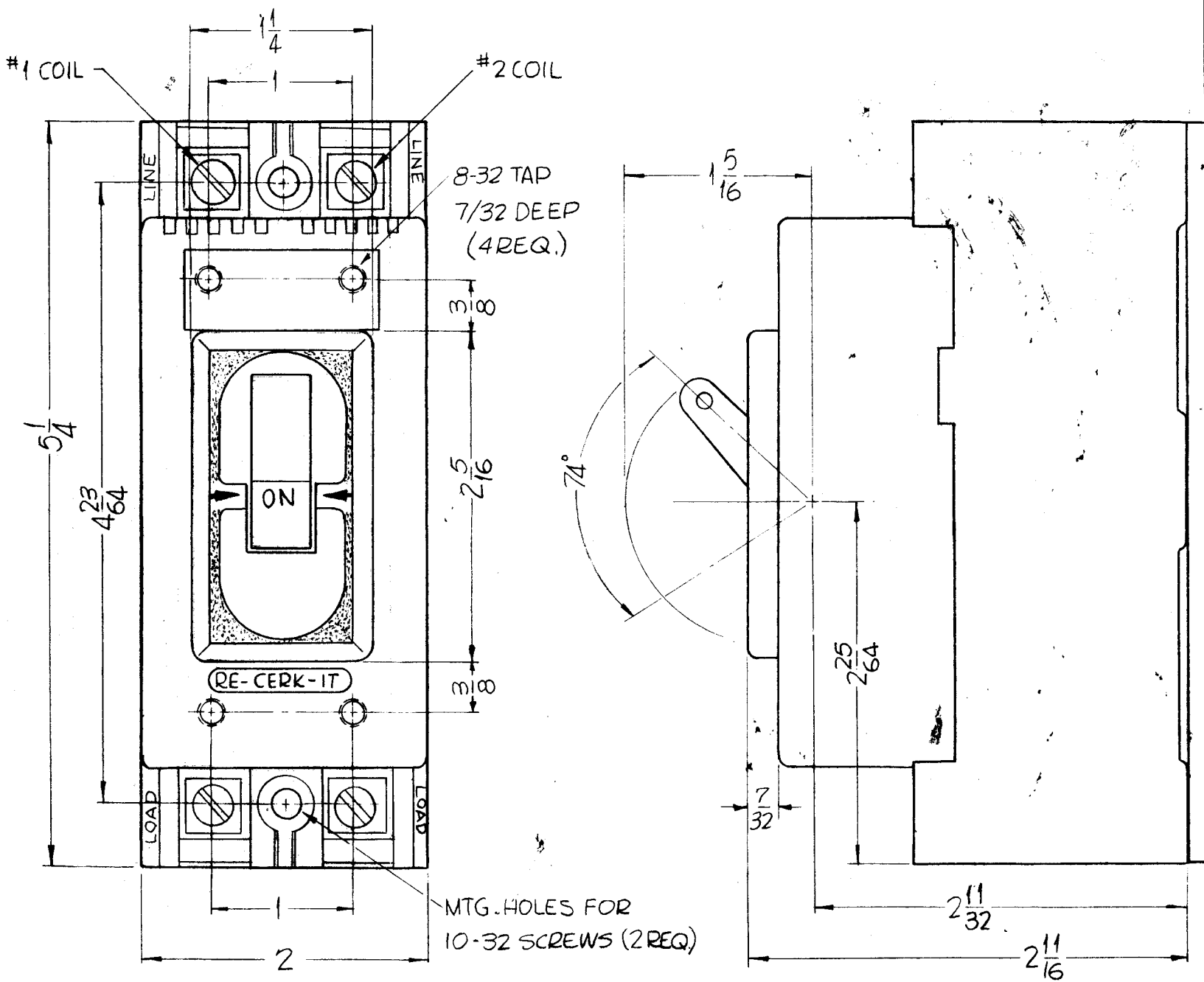


SW-326  
0

REVISIONS

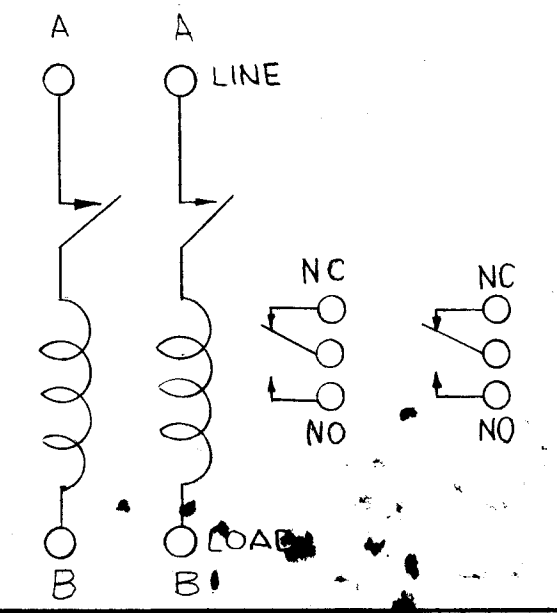
SYM	DESCRIPTION	DATE	E.M.N. NO.	DRAFT	CHKD	APPD
0	ORIGINAL RELEASE FOR PRODUCTION	3-26-64		A.M.		



ELECTRICAL SPECS:

# 1 COIL, 120 V, 50/60 ~ AC VOLTAGE COIL FOR REMOTE TRIPPING, SERIES CONSTRUCTION WITH AUX. SWITCH  
 # 2 COIL 10 AMP, 250 V, 50/60 ~ AC CURVE 3, SERIES CONSTRUCTION WITH AUX. SWITCH

REF: HEINEMANN ELEC. CO.  
 CAT. NO. 2263SHK



REQ'D.	ITEM	PART NUMBER	DESCRIPTION	SYMBOL
<b>LIST OF MATERIAL</b>				
F. BUDETTI			<b>THE TECHNICAL MATERIEL CORP.</b> MAMARONECK, NEW YORK	
MATERIAL			TITLE CIRCUIT BREAKER SINGLE POLE	
FINISH			DRAWN SRG DATE 2-6-63	
UNLESS OTHERWISE SPECIFIED DIMENSIONS ARE IN INCHES AND INCLUDE CHEMICALLY APPLIED OR PLATED FINISHES			CHECKED GJB DATE 2/11/64	
DECIMALS .X ± .05 .XX ± .01 .XXX ± .005			ELECT. DES. GJB FB DATE 2/11/64	
FRACTIONS ± 1/64 ANGLES ± 0° 30'			MECH. DES. DATE	
TOLERANCES			FINAL APPROVAL RAC DATE	
			SW-326	
			SHEET	
			REV. LTR.	

2	GPT-200K	AX 396
Q'TY./UNIT	MODEL USED ON	ASS'Y. NO.
SCALE	CODE	
THE CONTENTS OF THIS DRAWING ARE THE EXCLUSIVE PROPERTY OF THE TECHNICAL MATERIEL CORP. ITS UNAUTHORIZED USE OR REPRODUCTION IN WHOLE OR IN PART IS STRICTLY FORBIDDEN.		

NOTES