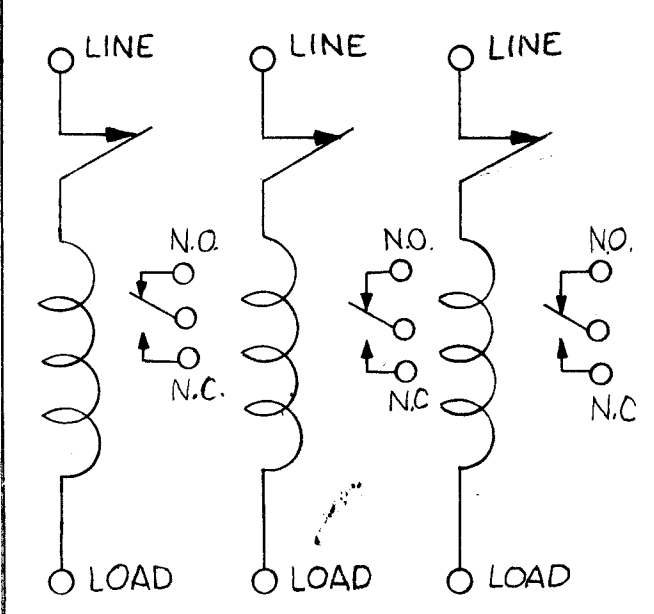
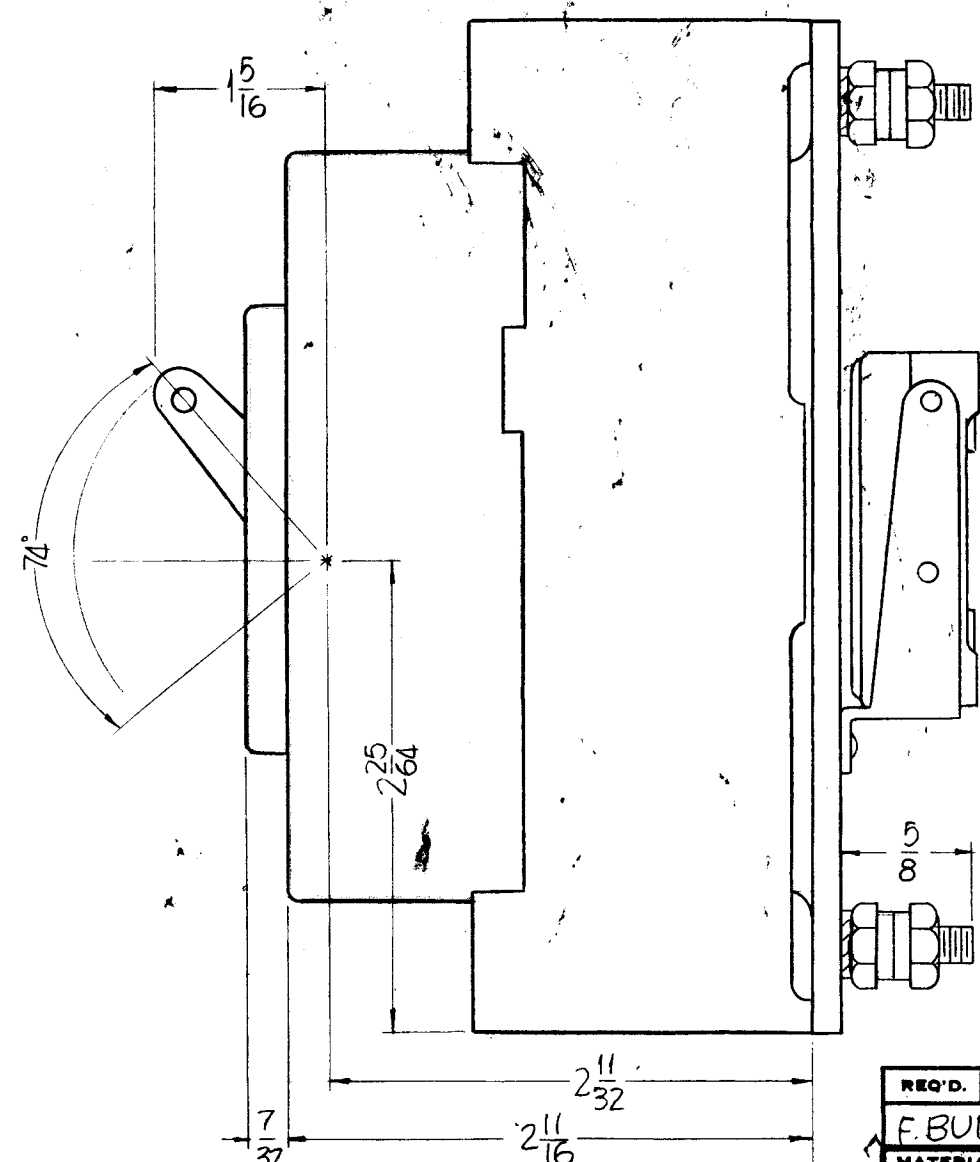
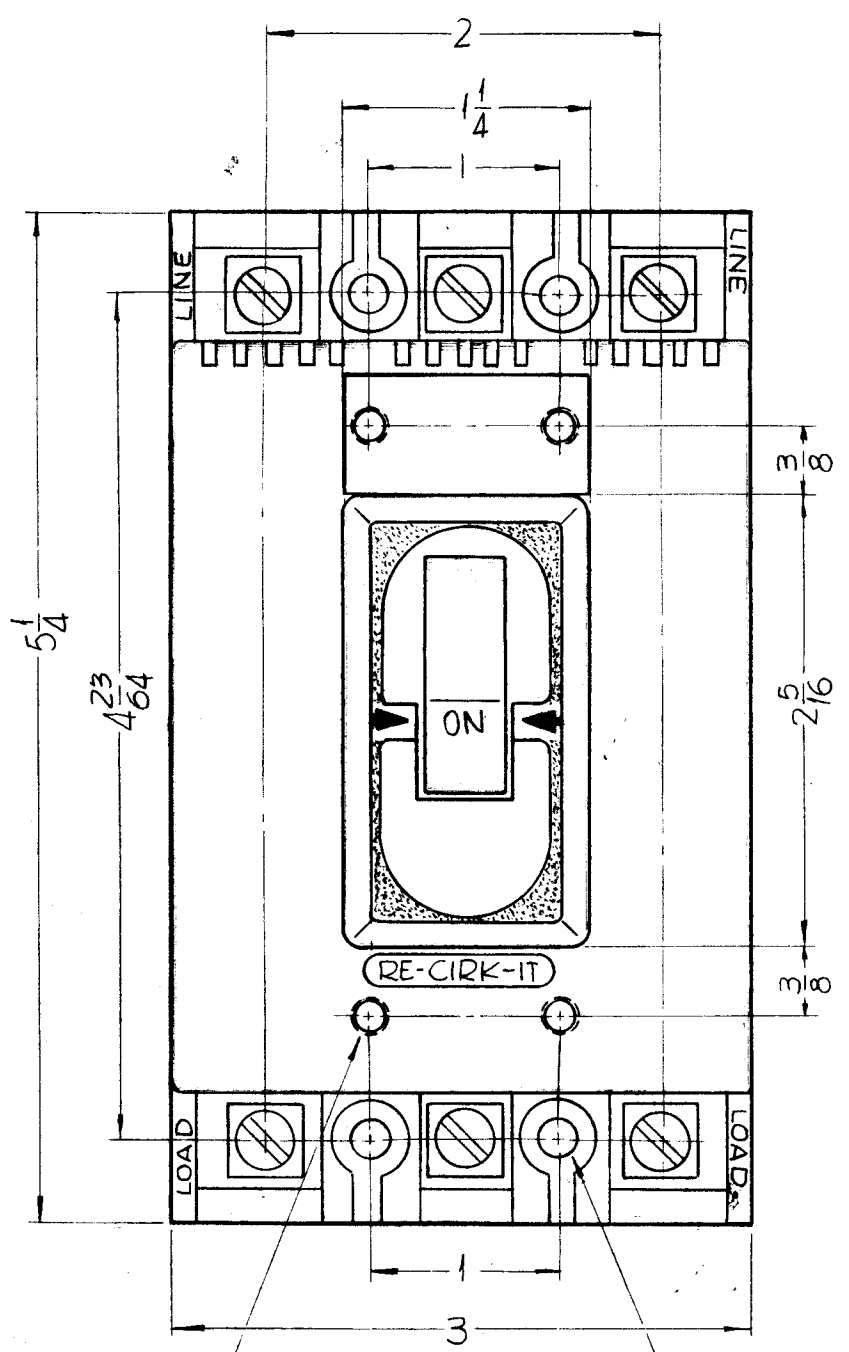


SW-324 0

REVISIONS

SYM	DESCRIPTION	DATE	E.M.N. NO.	DRAFT	CHKD	APPD
0	RELEASED FOR PRODUCTION	2/28/64	#	A.M.		



ELECTRICAL SPECS:  
 3363 SHHK  
 50 AMPS  
 250 V AC, 50/60 CYCLES  
 CURVE 1  
 POLE 3  
 SERIES TRIP  
 3 AUX. SWITCHES MOUNTED ON REAR.

8-32 INSERTS 7/32 DEEP (4REQ.)  
 MOUNTING HOLES FOR 10-32 SCREWS (4REQ.)

Q'TY./UNIT	GPT-200K	AX-396
SCALE	MODEL USED ON	ASS'Y. NO.
#	C	
THE CONTENTS OF THIS DRAWING ARE THE EXCLUSIVE PROPERTY OF THE TECHNICAL MATERIEL CORP. ITS UNAUTHORIZED USE OR REPRODUCTION IN WHOLE OR IN PART IS STRICTLY FORBIDDEN.		

REQ'D.	ITEM	PART NUMBER	DESCRIPTION	SYMBOL
F. BUDETTI LIST OF MATERIAL				
MATERIAL		THE TECHNICAL MATERIEL CORP. MAMARONECK, NEW YORK		
FINISH		TITLE CIRCUIT, BREAKER 3 POLE		
UNLESS OTHERWISE SPECIFIED DIMENSIONS ARE IN INCHES AND INCLUDE CHEMICALLY APPLIED OR PLATED FINISHES		DRAWN SRG	DATE 2-5-63	FINAL APPROVAL RDC
		CHECKED C. Taroni	DATE 2-28-64	
		ELECT. DES. C.B. FB	DATE 2/12/64	SW-324
		MECH. DES. S.D.	DATE 2-12-64	0
				REV. LTR.

NOTES