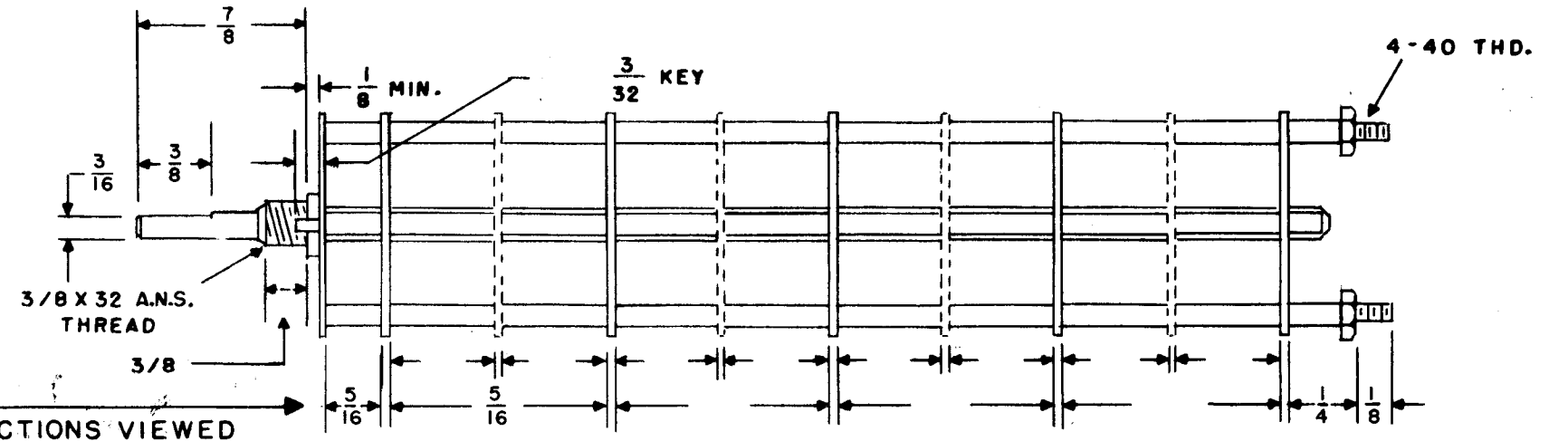
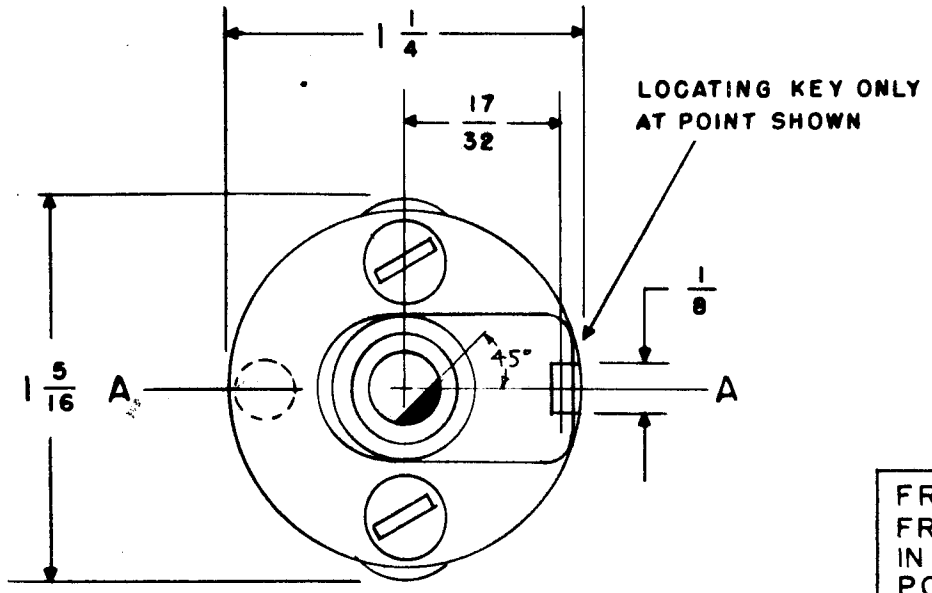


SW-274



FRONT & REAR OF SECTIONS VIEWED FROM FRONT OR KNOB END OF SWITCH IN EXTREME COUNTER-CLOCKWISE POSITION

SHOW CUT AWAY PORTION OF FLAT IN BLACK AND GIVE ANGLE TO LINE A-A $\pm 3^\circ$. (STANDARD RMA KNURLED AND SLOTTED SHAFT ALSO AVAILABLE)

NUMBER OF SECTIONS 2
 NUMBER OF POSITIONS 4
 ANGLE OF THROW 30° (30° OR 60°)

PART NUMBER SW-274
 STAMP ON FRONT PLATE YES NO

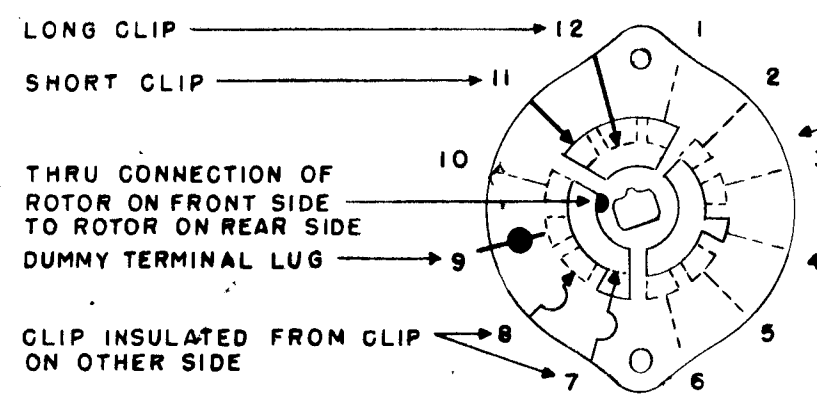
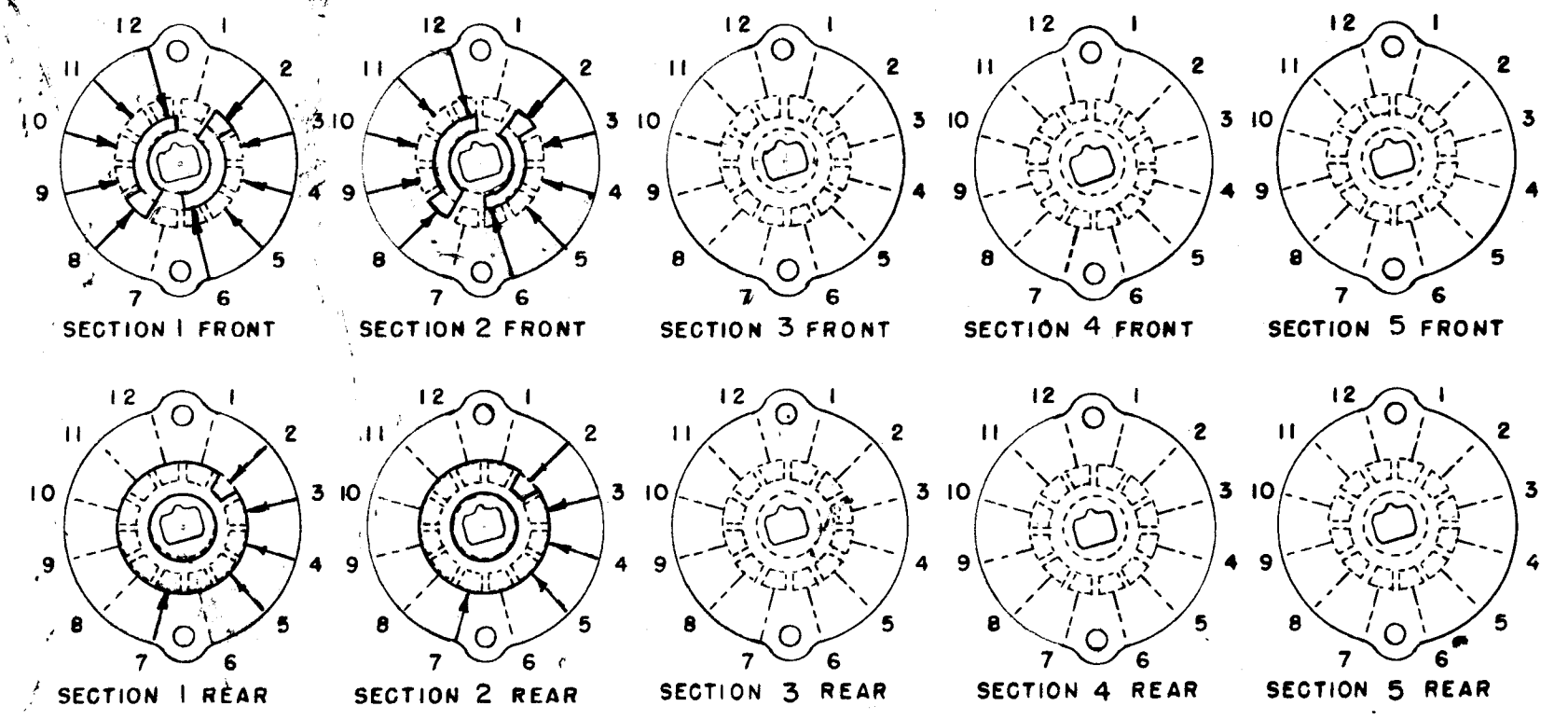
CONTACTS & ROTORS: (IF NOT SPECIFIED, SHORTING TYPE WILL BE SUPPLIED)
 SHORTING NON SHORTING

MATERIAL: (IF NOT SPECIFIED, SILVER PLATED BRASS WILL BE SUPPLIED)
 SILVER PLATED BRASS SILVER ALLOY

INSULATION: 1/16 BAKELITE 1/8 MYCALEX
 SPECIFY IMPREGNATION IF REQUIRED _____

FINISH REQUIREMENTS: COMMERCIAL ARMY NAVY
 SALT TEST (IF ANY GIVE DETAILS) _____

HARDWARE: SUPPLY
 _____ 3/8-32 NUTS _____ ACROSS FLATS
 _____ 3/8 INTERNAL TOOTH LOCKWASHERS



SYMBOLS USED IN MARKING PRINT

OAK TYPE F SWITCH

ISSUE	ITEM	CHANGED FROM	DATE	CH. NO.	DRAFTS	CHECKER	ENG. APP.
TOLERANCES			SCALE:				
DEC. DIM. \pm			MAXIMUM ALLOWABLE TOLERANCES HAVE BEEN DETERMINED AND ANY DEVIATIONS WILL BE CAUSE FOR REJECTION. REMOVE ALL BURRS AND SHARP EDGES				
FRAC. DIM. \pm							
ANGULAR DIM. \pm							

1	CLL			4-22-60
REQ. PER UNIT	MODEL	PROJECT NO.	ASS'Y. NO.	DATE
USED ON				

REQ. ITEM	PART NO.	DESCRIPTION	SYMBOL
THE TECHNICAL MATERIEL CORP. MAMARONECK, NEW YORK			
STOCK SIZE			
SWITCH ROTARY SYNC - CAL			
MATERIAL			
TYPE & TEMPER		HEAT TREAT. SPEC.	DRAWN
FINISH & SPEC. NO.		ELEC. DES. APP.	MECH. DES. APP.
			SW-274