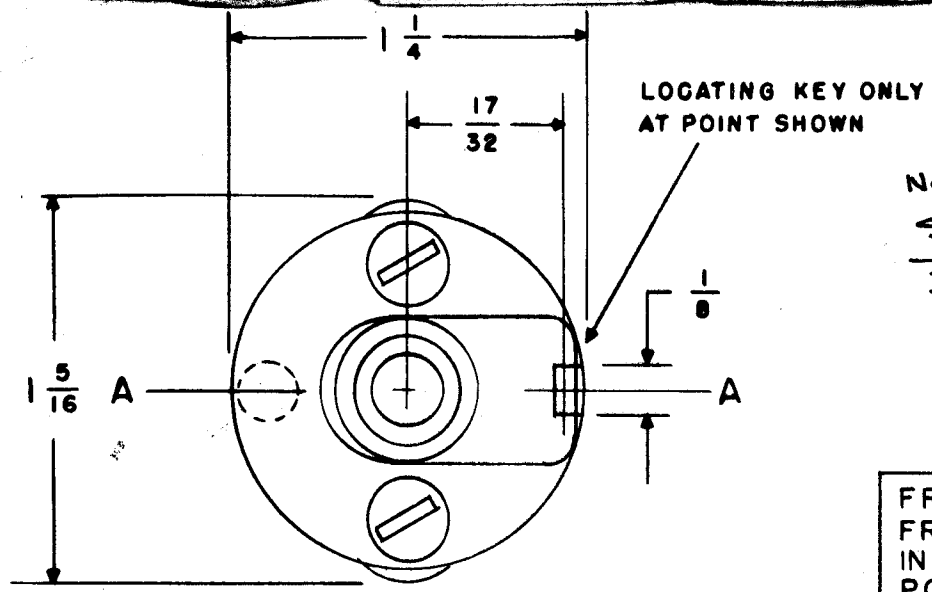
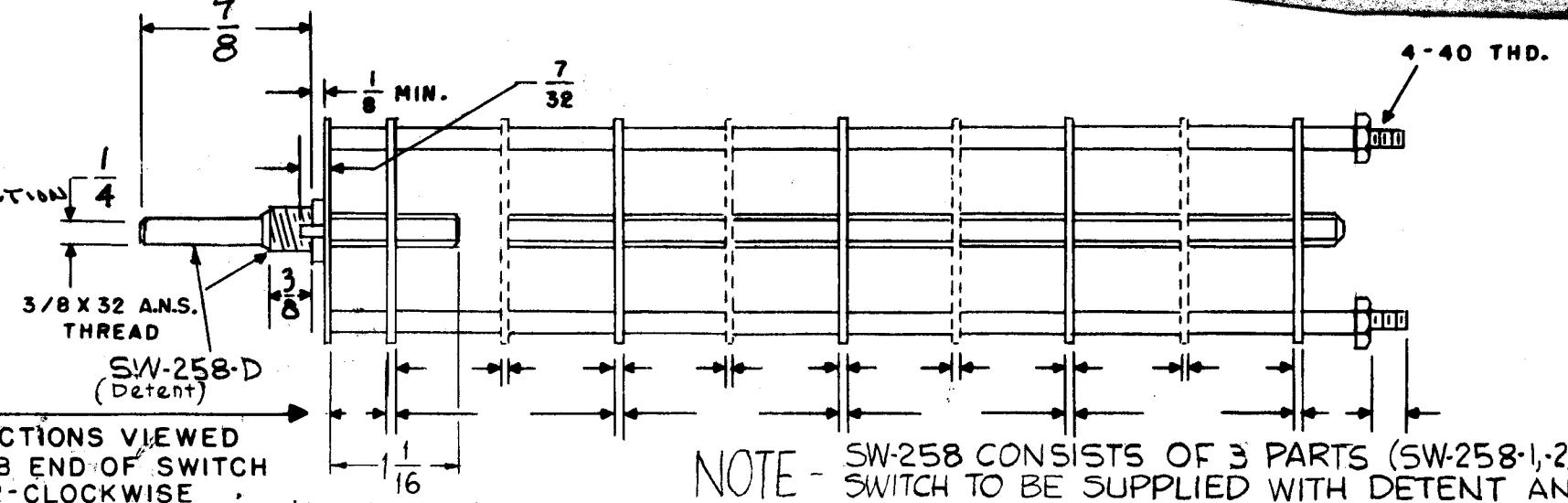


B  
SW-258



NOTE:  
Supply a 5 position  
DETENT WITH  
WAFERS.

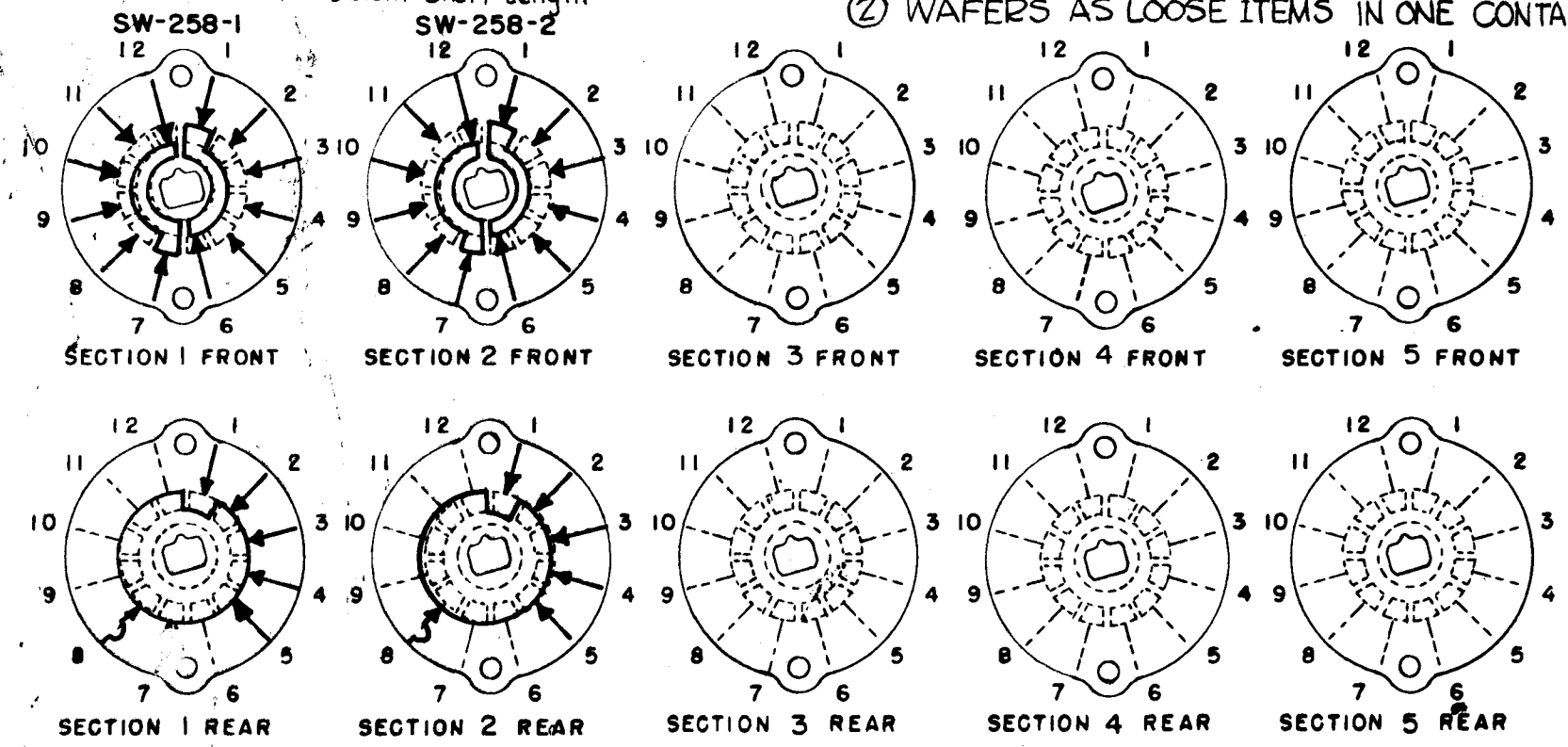


FRONT & REAR OF SECTIONS VIEWED FROM FRONT OR KNOB END OF SWITCH IN EXTREME COUNTER-CLOCKWISE POSITION

NOTE - SW-258 CONSISTS OF 3 PARTS (SW-258-1, 2, & D) SWITCH TO BE SUPPLIED WITH DETENT AND ② WAFERS AS LOOSE ITEMS IN ONE CONTAINER.

SHOW CUT AWAY PORTION OF FLAT IN BLACK AND GIVE ANGLE TO LINE A-A ± 3°. (STANDARD RMA KNURLED AND SLOTTED SHAFT ALSO AVAILABLE)

NUMBER OF SECTIONS  $\frac{2}{5}$   
NUMBER OF POSITIONS  $\frac{2}{5}$   
ANGLE OF THROW  $\frac{30^\circ}{30^\circ}$  (30° OR 60°)



PART NUMBER SW-258

STAMP ON FRONT PLATE YES  NO

CONTACTS & ROTORS: (IF NOT SPECIFIED, SHORTING TYPE WILL BE SUPPLIED)

SHORTING  NON SHORTING

MATERIAL: (IF NOT SPECIFIED, SILVER PLATED BRASS WILL BE SUPPLIED)

SILVER PLATED BRASS  SILVER ALLOY

INSULATION: 1/16 BAKELITE  1/8 MYCALEX

SPECIFY IMPREGNATION IF REQUIRED \_\_\_\_\_

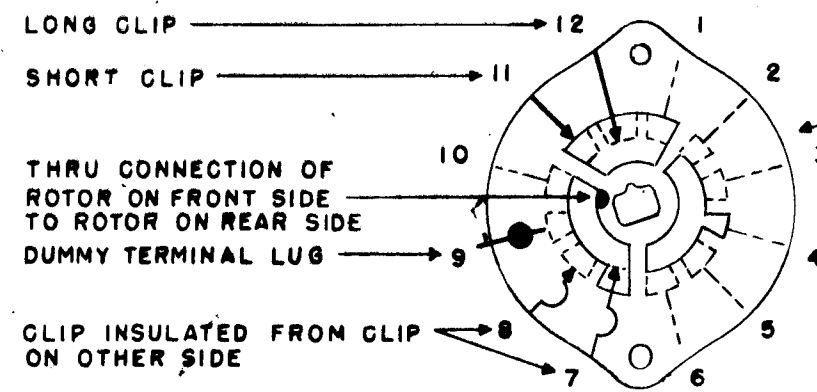
FINISH REQUIREMENTS: COMMERCIAL  ARMY  NAVY

SALT TEST (IF ANY GIVE DETAILS) \_\_\_\_\_

HARDWARE: SUPPLY

2 3/8-32 NUTS 1/2 ACROSS FLATS

1 3/8 INTERNAL TOOTH LOCKWASHERS



SYMBOLS USED IN MARKING PRINT

OAK TYPE F SWITCH

ISSUE	ITEM	CHANGED FROM	DATE	CH. NO.	DRAFTS	CHECKER	ENG. APP.
B	2	SW-258-1, 2, D Added	12-13-61	6054	E. L.	<i>[Signature]</i>	<i>[Signature]</i>
	1	SW-258 Note Added					
A	1	Dimensions Added to Switch	5-3-61	4796	J.C.B.	<i>[Signature]</i>	

TOLERANCES		SCALE:	
DEC. DIM. ±		MAXIMUM ALLOWABLE TOLERANCES HAVE BEEN DETERMINED AND ANY DEVIATIONS WILL BE CAUSE FOR REJECTION. REMOVE ALL BURRS AND SHARP EDGES	
FRAC. DIM. ±			
ANGULAR DIM. ±			

OUTLINE ROTOR BLADES AS SHOWN ABOVE WITH SWITCH IN EXTREME COUNTER-CLOCKWISE POSITION

REQ. PER UNIT	MODEL	PROJECT NO.	ASS'Y. NO.	DATE
1	RFC-1			11-22-60
	RFD-1			5-7-59

REQ. ITEM	PART NO.	DESCRIPTION	SYMBOL
THE TECHNICAL MATERIEL CORP. MAMARONECK, NEW YORK			
SWITCH, BAND			
MATERIAL			
TYPE & TEMPER		HEAT TREAT. SPEC.	FINAL APPROVAL
			<i>[Signature]</i>
FINISH & SPEC. NO.		ELEC. DES. APP.	MECH. DES. APP.
			<i>[Signature]</i>
			SW-258 B