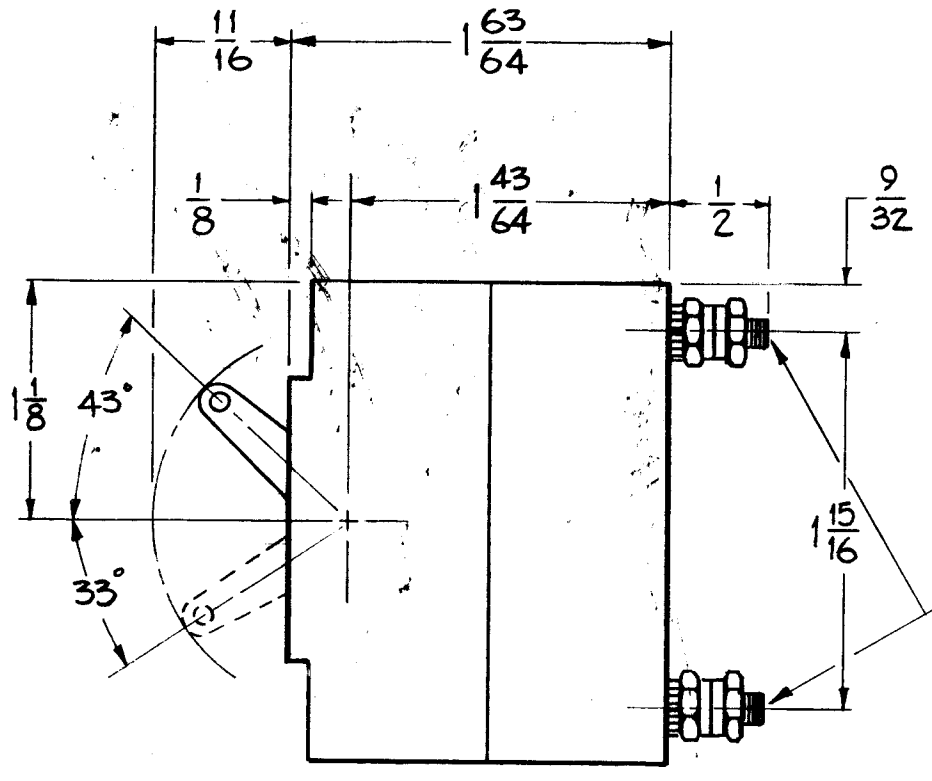
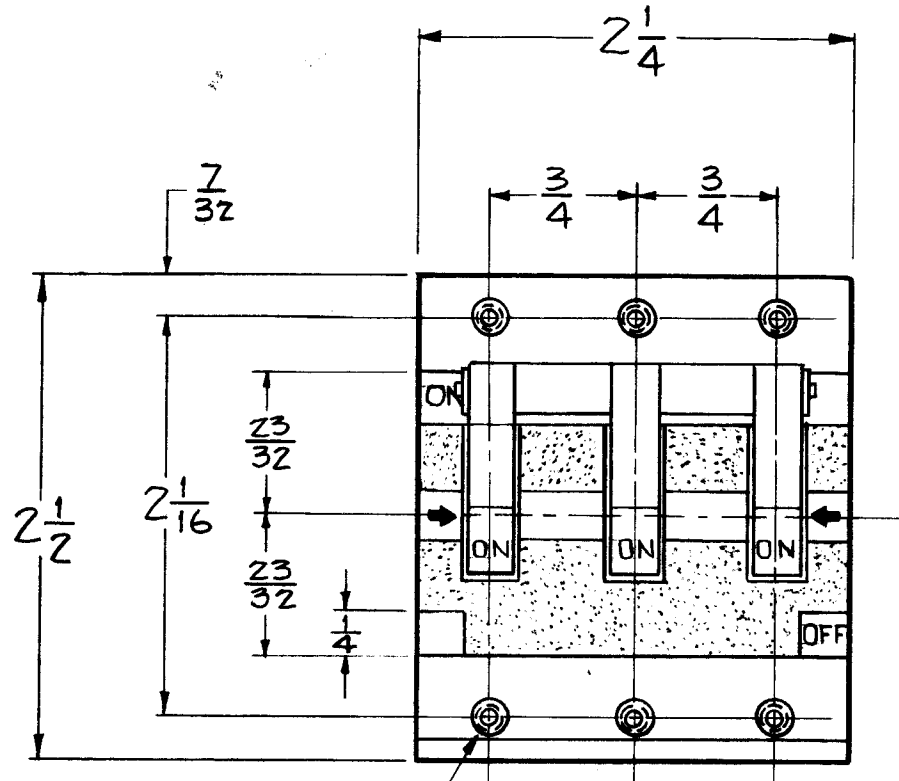


SW-249

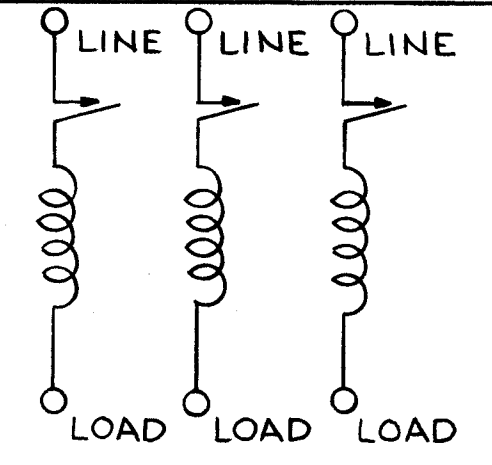
ELECTRICAL SPECIFICATIONS

VOLTS ~ 230 AC
 AMPS ~ 3
 CURVE ~ 4
 CYCLES ~ 60



10-32 STUDS

6-32 THDS X 5/32 DEEP ~ 6 Req.



REF ~ HEINEMAN ~ NO. XAM333 - MG-6

ISSUE	ITEM	CHANGED FROM	DATE	CH. NO.	DRAFTS	CHECKER	ENG. APP.
0		ORIGINAL RELEASE	1/18/69				
TOLERANCES			SCALE: DO NOT SCALE				
DEC. DIM. ±			MAXIMUM ALLOWABLE TOLERANCES HAVE BEEN DETERMINED AND ANY DEVIATIONS WILL BE CAUSE FOR REJECTION. REMOVE ALL BURRS AND SHARP EDGES				
FRAC. DIM. ± 1/64							
ANGULAR DIM. ±							

REQ. PER UNIT	MODEL	PROJECT NO.	ASS'Y. NO.	DATE

REQ. ITEM	PART NO.	DESCRIPTION	SYMBOL
STOCK SIZE		THE TECHNICAL MATERIEL CORP. MAMARONECK, NEW YORK	
MATERIAL		CIRCUIT BREAKER BLOWER	
TYPE & TEMPER		J. C. BIELE	02B JT
HEAT TREAT. SPEC.		DRAWN	
FINISH & SPEC. NO.		AA	RT
		ELEC. DES. APP.	MECH. DES. APP.
		SW-249	