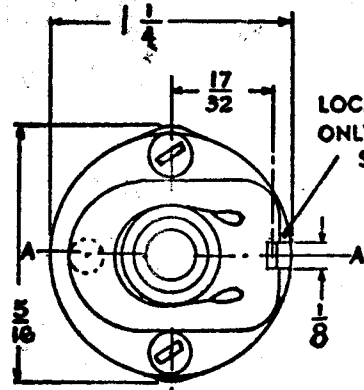


SPECIFICATIONS
 SHORTING TYPE CONTACTS NON-SHORTING IF NOT SPECIFIED SHORTING TYPE WILL BE SUPPLIED.
 INSULATION: $\frac{1}{16}$ " BAKELITE $\frac{1}{8}$ " MYCALEX SPECIFY IMPREGNATION IF REQUIRED.
 FINISH REQUIREMENTS: COMMERCIAL ; ARMY ; NAVY ; SALT TEST (IF ANY GIVE DETAILS) _____
 CONTACTS AND ROTORS: SILVER PLATED BRASS ; SOLID SILVER ALLOY ; IF NOT SPECIFIED SILVER PLATED BRASS WILL BE SUPPLIED.
 MOUNTING HARDWARE: SUPPLY _____ $\frac{3}{16}$ " - 32 NUTS _____ ACROSS FLATS; MATERIAL _____ PLATING _____
 _____ $\frac{3}{16}$ " INTERNAL TOOTH LOCKWASHER; MATERIAL _____ PLATING _____
 STAMP PART NUMBER SW-200-C ON FRONT PLATE, YES NO
 (NUMBER)

SW200C

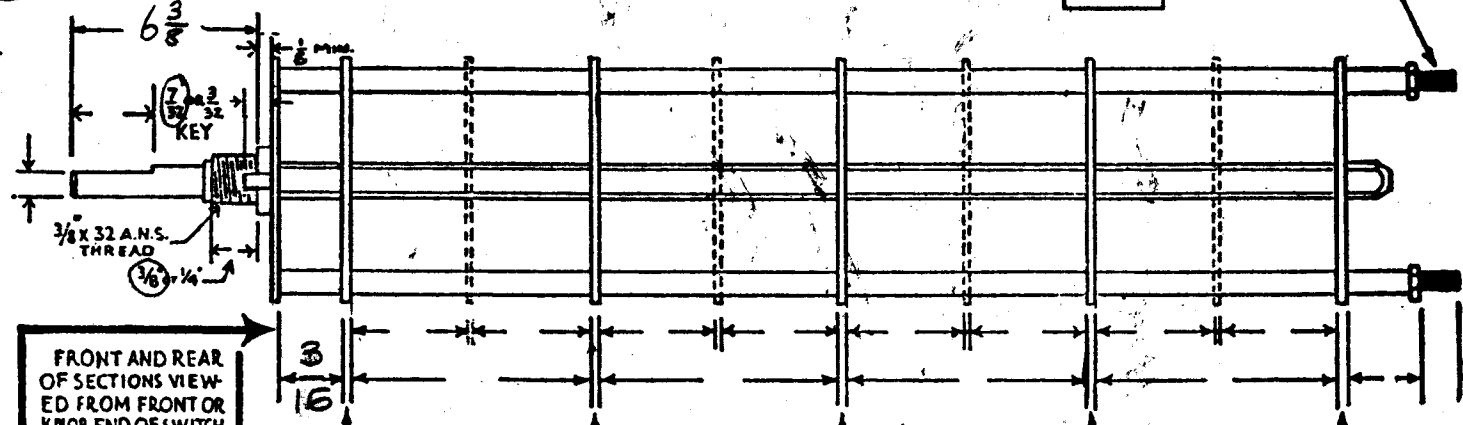
REVISIONS					
SYM	DESCRIPTION	DATE	E.M.N. NO.	DRAFT	CHKD APPD
A	FLAT REMOVED; PART NO. STAMP ADDED	7-22-57	—	L.G.	R.W.B. F.B.
B	1/8 WAS 3/16 (TO FIRST SECTION)	7-23-57	—	L.G.	R.W.B. R.W.B.
C	3/16 WAS 1/8 (REVISION "B" WAS IN ERROR)	7-29-57	—	L.G.	R.W.B. R.W.B.
	REDRAWN NO REVISION	9-24-64	—	G.S.	File

OAK TYPE F SWITCH



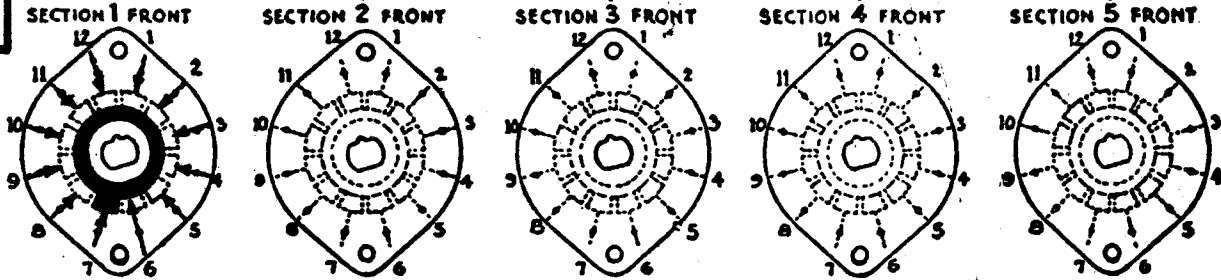
LOCATING KEY ONLY AT POINT SHOWN

SHOW CUT AWAY PORTION OF FLAT IN BLACK AND GIVE ANGLE TO LINE A-A. $\pm 3^\circ$
 STANDARD RMA KNURLED AND SLOTTED SHAFT ALSO AVAILABLE

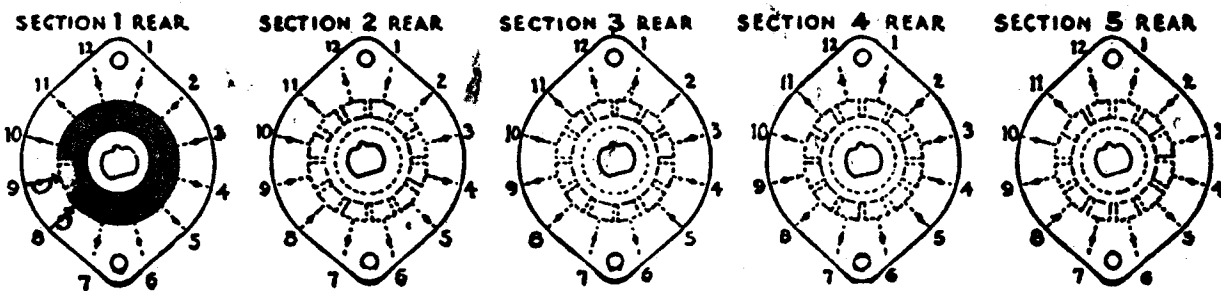
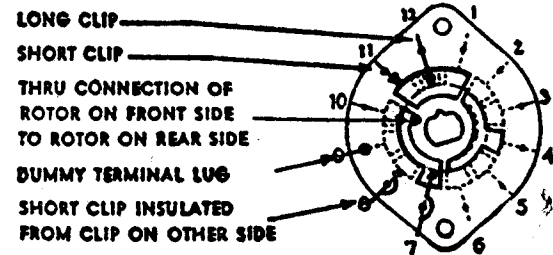


FRONT AND REAR OF SECTIONS VIEWED FROM FRONT OR KNOB END OF SWITCH IN EXTREME COUNTER-CLOCKWISE POSITION

NUMBER OF SECTIONS 1
 NUMBER OF POSITIONS 11
 ANGLE OF THROW 30° (30° OR 60°)



SYMBOLS USED IN MARKING PRINT



OUTLINE ROTOR BLADES AS SHOWN ABOVE WITH SWITCH IN EXTREME COUNTER-CLOCKWISE POSITION

REQ'D.	ITEM	PART NUMBER	DESCRIPTION	SYMBOL
LIST OF MATERIAL				
MATERIAL		THE TECHNICAL MATERIEL CORP. MAMARONECK, NEW YORK		
FINISH		TITLE SWITCH, ROTARY		
UNLESS OTHERWISE SPECIFIED DIMENSIONS ARE IN INCHES AND INCLUDE CHEMICALLY APPLIED OR PLATED FINISHES		DRAWN <i>G. Lucas</i>	DATE 9-24-64	FINAL APPROVAL <i>RWC</i>
		CHECKED <i>File</i>	DATE 9-24-64	
		ELECT. DES.	DATE	
		MECH. DES.	DATE 9/24/64	
		SW200		C
		SHEET		REV. LTR.

	SBE-3	
	SBE-2	
	SBE-1	
Q'TY./UNIT	MODEL USED ON	ASS'Y. NO.
SCALE	CODE	5401-13
	C	

NOTES

THE CONTENTS OF THIS DRAWING ARE THE EXCLUSIVE PROPERTY OF THE TECHNICAL MATERIEL CORP. ITS UNAUTHORIZED USE OR REPRODUCTION IN WHOLE OR IN PART IS STRICTLY FORBIDDEN.