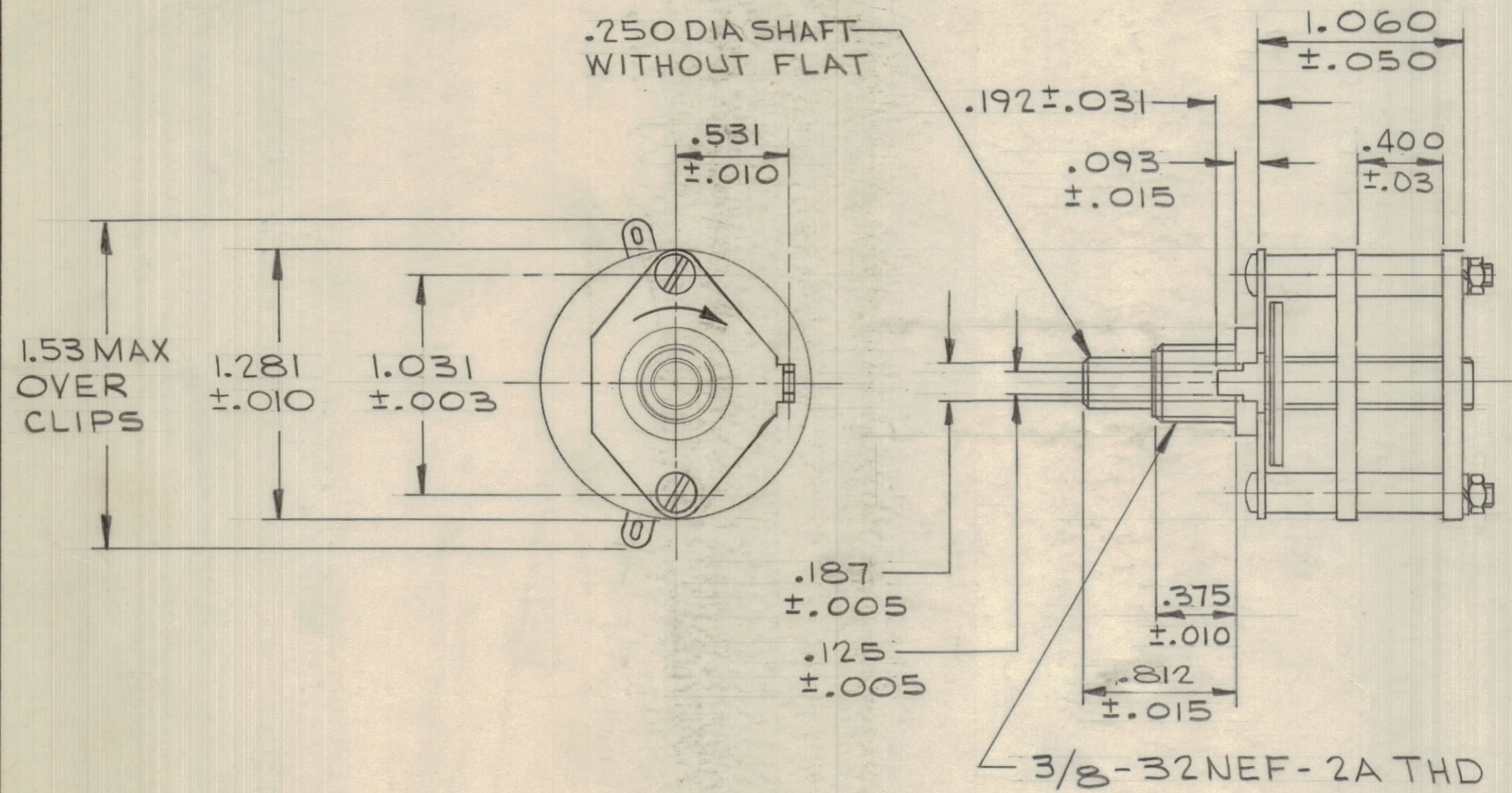
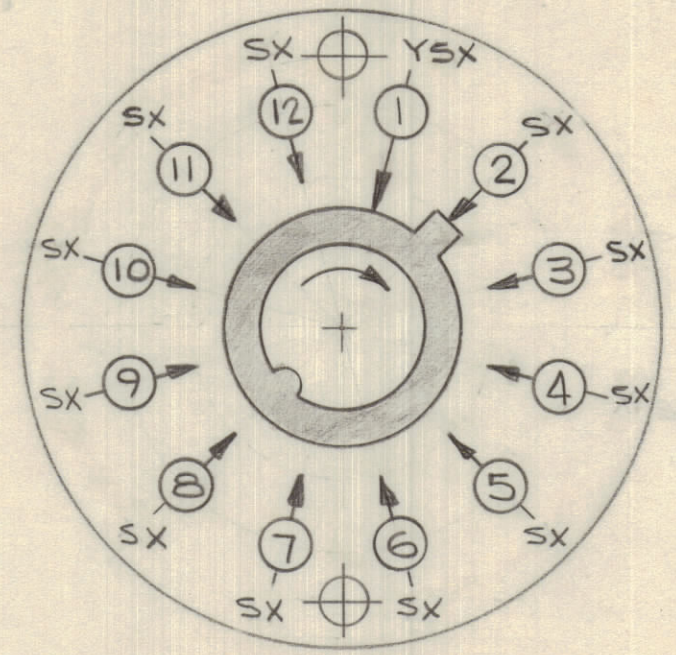


IF IT IS FOUND DESIRABLE TO CHANGE ANY TOLERANCE OR OTHER DETAIL SPECIFIED ON THIS DRAWING NOTIFY THE PURCHASER PROMPTLY.		DIMENSIONS IN INCHES UNLESS OTHERWISE SPECIFIED					
MAXIMUM ALLOWABLE TOLERANCES HAVE BEEN DETERMINED AND DEVIATIONS WILL BE CAUSE FOR REJECTION. REMOVE ALL BURRS AND SHARP EDGES.							
ISSUE	ITEM	CHANGED FROM	DATE	CN. NO.	DRAFTS	CHECKER	ENG. APP.
X		ENG RELEASE	27 APR 70				
X1		ADDED MANUFACTURES TYPE	28 APR 70				
X2		.812 WAS .625	11 MAY 70				
X3		CHANGE FROM NON-INSUL TO STRAIGHT AND NON-INSUL. ADD-NO STOPS	29 MAY 1970				

REQ.	ITEM	PART NO.	DESCRIPTION	SYMBOL
------	------	----------	-------------	--------

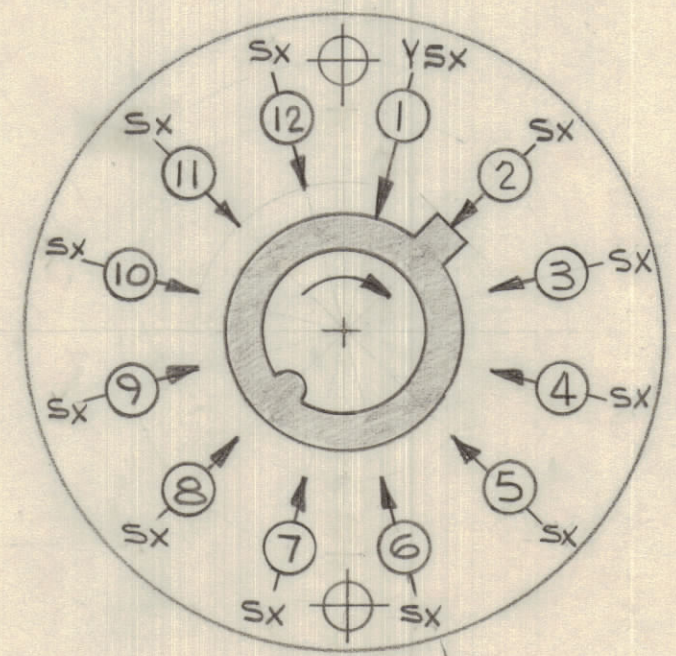


NOTE  
BOTH SIDES OF WAFER VIEWED FROM SHAFT END OF SWITCH



FRONT  
TYP FOR SECTION 1&2

SW10053 X3



REAR  
TYP FOR SECTION 1&2

**MECHANICAL**  
 NO. OF SECTIONS: 2  
 NO. OF POSITIONS: 12 (NO STOPS)  
 ANGLE OF THROW: 30°  
 CONTACT MATERIAL: COIN SILVER ALLOY  
 OPERATING TEMP: -55°C TO +80°C  
 WAFER MATERIAL: CERAMIC  
 SWITCH WILL BE REQUIRED TO OPERATED WITH A TORQUE OF 12 OUNCE INCH MAXIMUM

SWITCH TO BE SUPPLIED WITH A DETENT SPRING AND STOP PLATE, BUT WILL NOT BE SUPPLIED WITH A DETENT BALL

**CIRCUIT DECK RATING**  
 CURRENT CARRYING CAPACITY: 12AMPS  
 DIELECTRIC STRENGTH: 1000VAC BETWEEN CRITICAL POINT AND GROUND  
 BREAK: 0.45 AMPS AT 115VAC  
 BREAK: 2.6 AMPS AT 28VDC

PERMANENTLY MARK TMC PART NO. "SW10053" ON THE MOUNTING PLATE OF THE SWITCH

**CLIP DESIGNATION**

- O-INSULATED
- X-NON INSULATED
- S-STRAIGHT
- Y-LONG
- D-DUMMY

TOLERANCES		SOURCE: S401-61	
ALL OTHERS	DEC. DIM. ±.005 FRAC. DIM. ±.005 ANGULAR DIM. ± 0° 30'	X*.005 XX*.01 XXX*.005	DRILL, PUNCH, COMMERCIAL STOCK SIZES AND MANUFACTURERS TOLERANCES ARE NOT INCLUDED.

MANUFACTURER'S TYPE  
SERIES 600

MTR	087	24 APR 70
MODEL	PROJECT NO.	DATE

STOCK SIZE		TMC (Canada) LIMITED OTTAWA ONTARIO	
MATERIAL		SWITCH, ROTARY	
TYPE & TEMPER		DBN	
HEAT TREAT. SPEC.		CHECKED	FINAL APPROVAL
FINISH & SPEC. NO.		SW10053 X3	