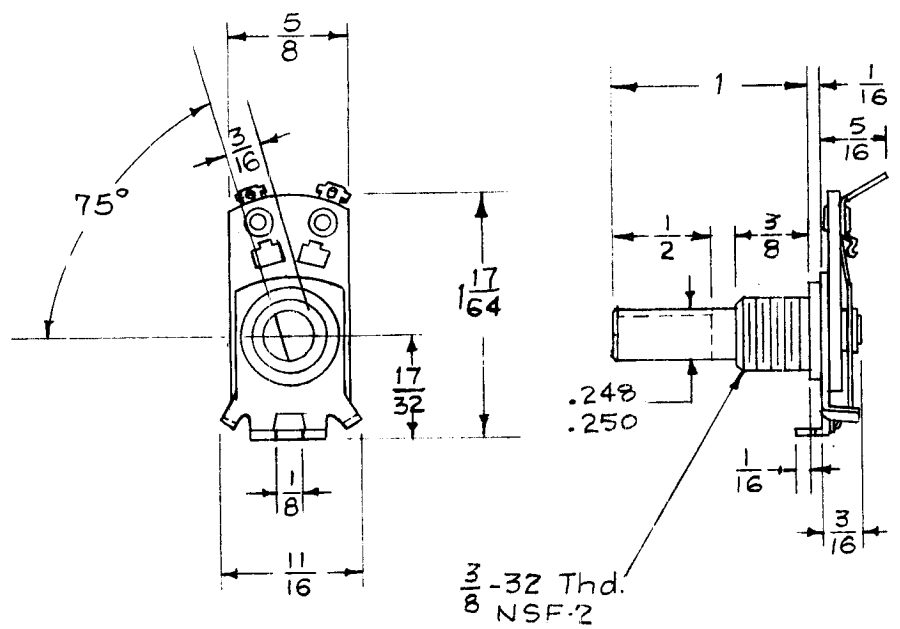


REQ. PER UNIT	USED ON		
	MODEL	ASSY. NO.	DATE
1	G5B-1		4-26-57

SW-19'7



NOTE - Angle of flat shown with Switch in C.C.W. Position, as viewed from front.

Angle of throw - 30°
Rotor Grounded to Shaft

SPECIFICATIONS.

- INDEX MECHANISM — Spring Brass, Single End
- INSULATION — Phenolic, Natural.
- FINISH
Front Plate — Steel, Lead Coated.
Shaft — Steel, Cadmium Plated
- CONTACTS
Clips — Spring Brass, Silver Plated .0001
Rotor Blades — Hard Brass, Silver Plated .0001
Contact Res. — Less than 2.75 Milliohms
- MOUNTING HARDWARE (To Be Supplied By MFG.)
One 3/8-32 Nut, 1/8 THK., 1/2 Across Flats, Brass Cadmium Plate (TMC Equiv.- NTH3732BC16)
One 3/8 Internal tooth Lockwasher, Bronze Cadmium Plate (TMC Equiv.- LW137MRC)

REF - OAK Mfg. Co. Type 20 SPDT

REQ.	ITEM	PART NO.	DESCRIPTION	SYMBOL					
			THE TECHNICAL MATERIEL CORP. MAMARONECK. NEW YORK						
			SWITCH, ROTARY, SPDT						
			MATERIAL						
ISSUE	ITEM	CHANGED FROM	DATE	CH. NO.	DRAFTS	CHECKER	ENG. APP.		
TOLERANCES			SCALE:						
DEC. DIM. ±			MAXIMUM ALLOWABLE TOLERANCES HAVE BEEN DETERMINED AND ANY DEVIATIONS WILL BE CAUSE FOR REJECTION. REMOVE ALL BURRS AND SHARP EDGES						
FRAC. DIM. ±									
ANGULAR DIM. ±									
TYPE & TEMPER		HEAT TREAT. SPEC.		DRAWN		CHECKED		FINAL APPROVAL	
FINISH & SPEC. N .		ELEC. DES. APP.		MECH. DES. APP.					
		1642657		H.H.O.		A.J.J.		SW-19'7	
		P.L.K.		C.H.					